



TC Series
PARTS
BOOK

Version:03000V4

THINK BEYOND

PREFACE

This parts list is the summary of new and original structures, the structure of this parts list is more hierarchical and detailed, there have more choices to choosing materials. We are committing to bring customers a better experience.

INDEX

01.TABLE AND COVERS
4

02.ROTARY HOOK BASE
8

03.ARM
16

04.NEEDLE BAR DRIVING PARTS
20

05.HOOK AND JUMP
26

06.COLOR CHANGE SYSTEM
32

07.NEEDLE BAR CASE
38

08.X-AXIS DRIVE SYSTEM
50

09.Y-AXIS DRIVE SYSTEM
54

10.THREAD STAND
58

11.THREAD TENSION BASE
62

12.CAP STAND FRAME
70

13.CONTROL PANEL - 7 INCH
72

13. CONTROL PANEL - 8 INCH
76

14.FRAME
82

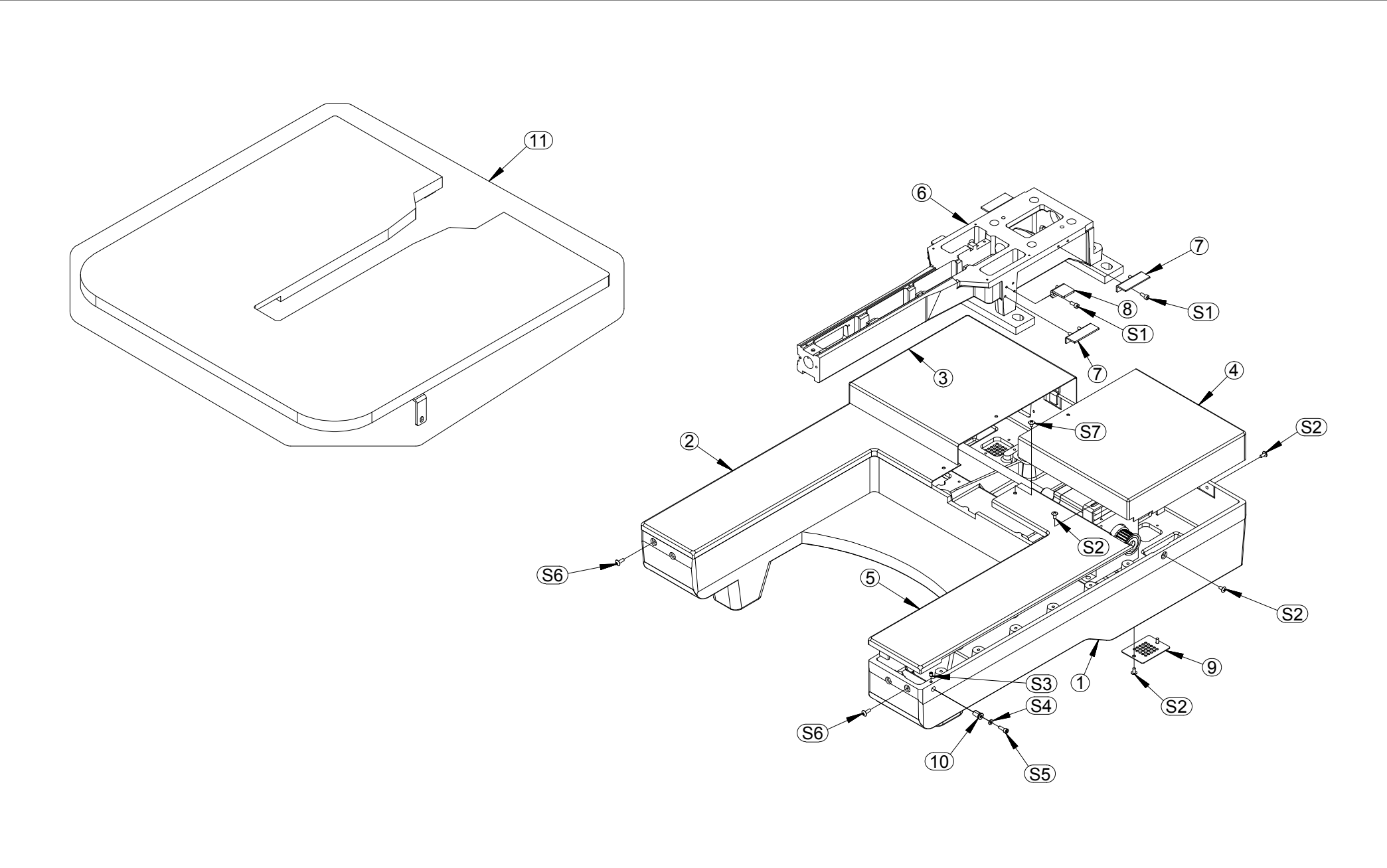
15.STAND AND TABLE
88

16.EW2214 DEVICE (OPTIONAL)
90

17.EW4814 DEVICE (OPTIONAL)
94

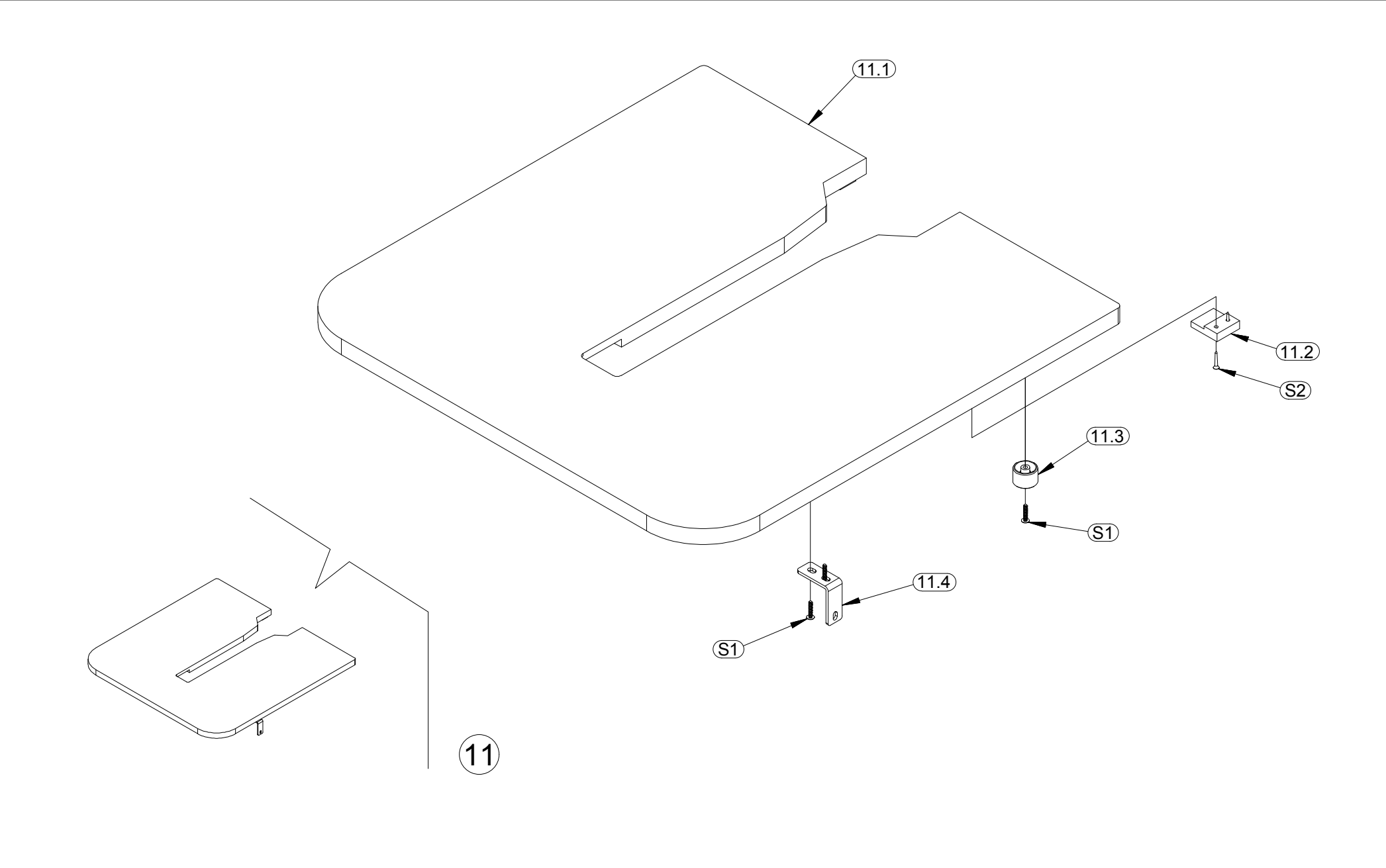
01.TABLE AND COVERS

03010V4



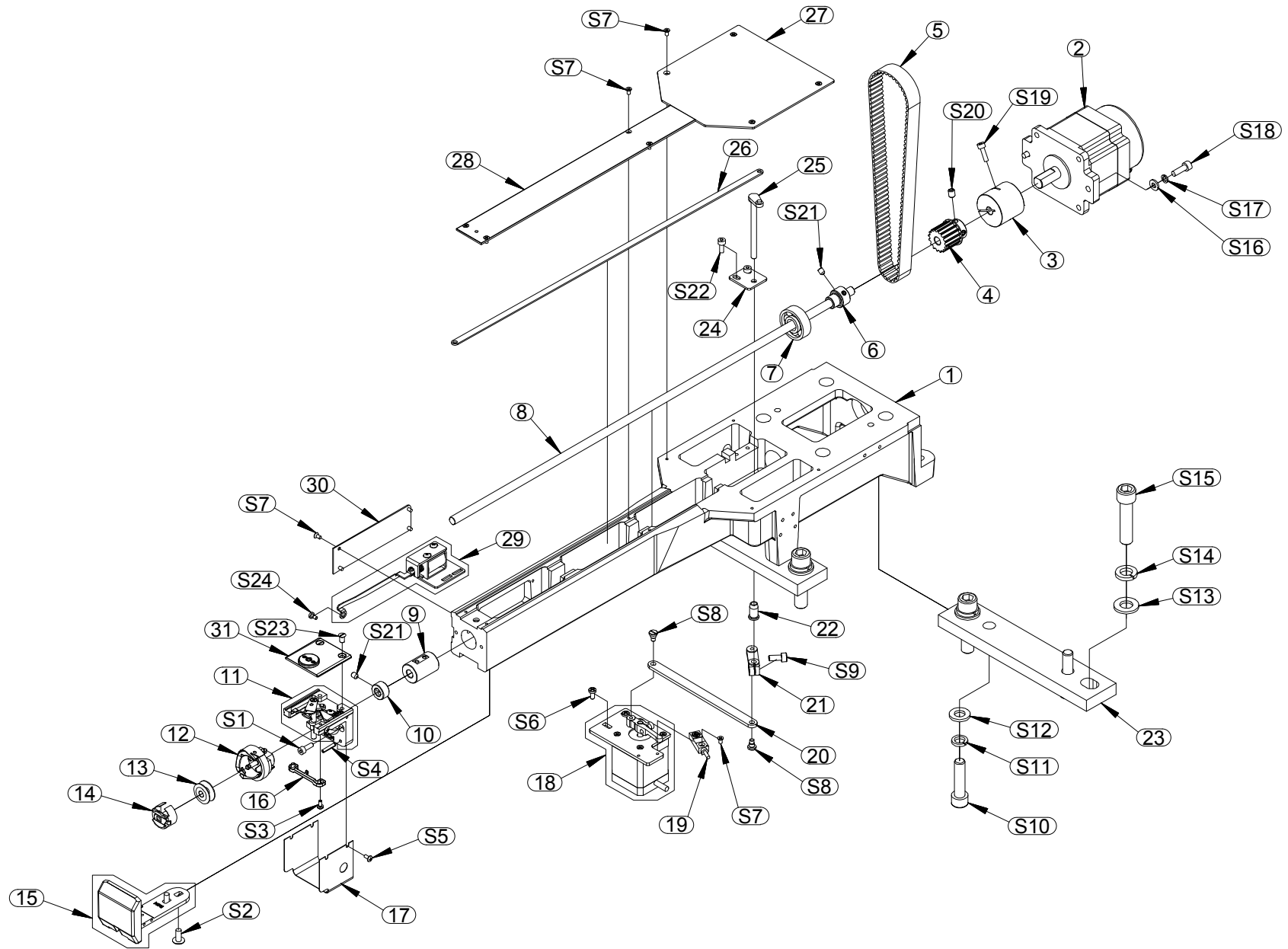
01-1.TABLE AND COVERS

03010V4



02.ROTARY HOOK BASE

03020V4



02.POTARY HOOK BASE

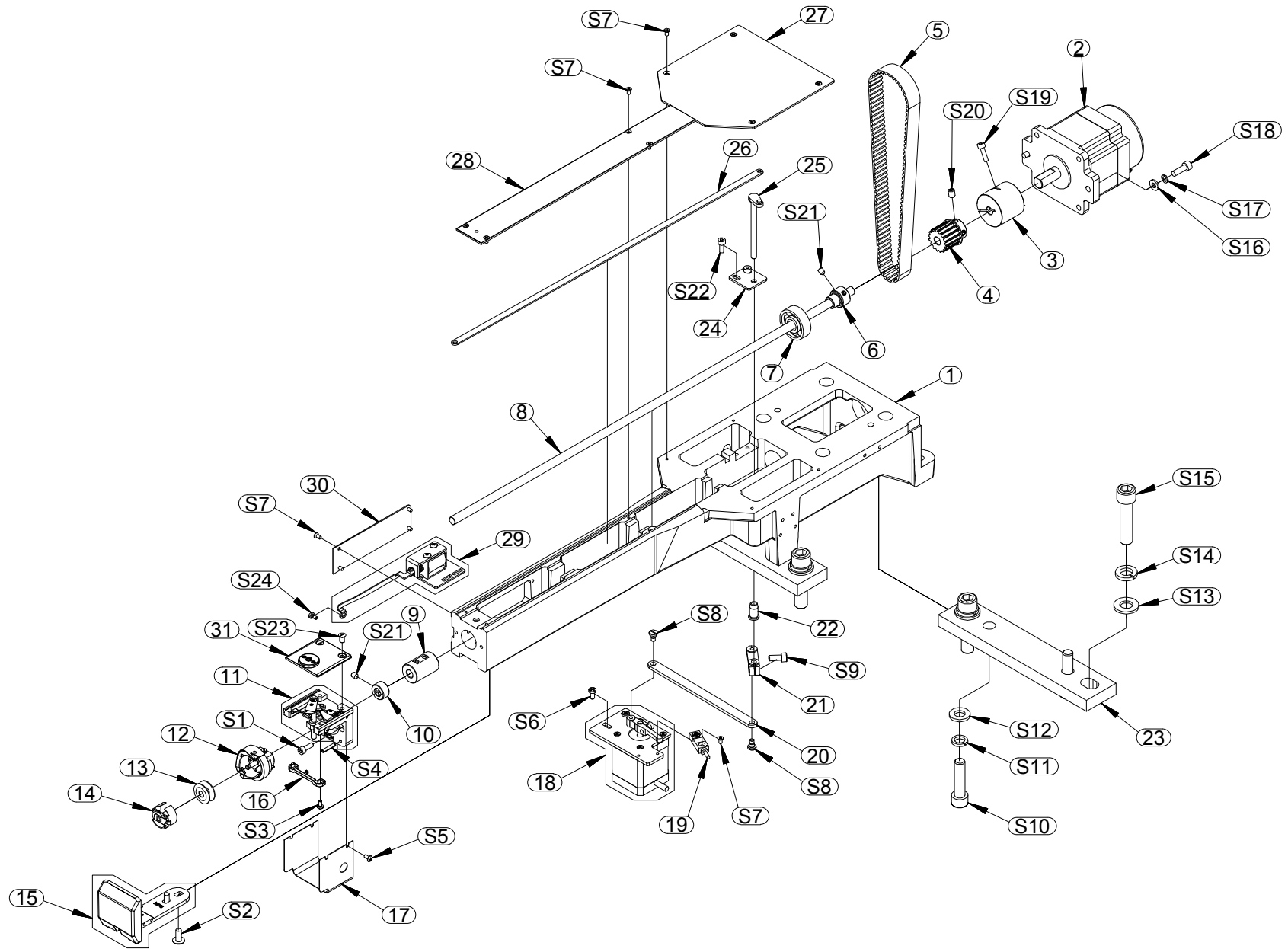
03020V4

No.	Serial No.	Part name	Remark
1	03021101VA	Shuttle Box-SR-P	
2	03021191	70 Motor-Main Axis-L350	
3	80037912BA	Coupler	
4	80025602	Timing Belt 16-S5M-20-DTB	
5	80025506	525-S5M-16 Timing Belt	
6	80037901	Bearing Collar-ID7.94OD12	
7	80031222	Bearing 32-12-10	
8	03021107BA	Rotray Hook Shaft-DT	
9	02101131	Lower Shaft Arm Shaft Sleeve	
10	02010633	Baffle Ring Of Rotating Shuttle Box - SY	
11	02101660	Needle Plate Base Assembly-SR-C	
12	80620291	Rotary Hook-KHS12-RYP	
13	80620302	Bobbin	
14	80620301	Bobbin Case	
15	02101661	Picker Assembly-SR-C	
16	03021322	Rotary Position Hook	
17	02101621	Needle Plate Cover-SR-C	
18	03021281	Trimming Motor Base-Assembly	
19	80333601	Micro Approximity Switch	
20	03021204	Trimming Connection Rod	
21	01400311	Moving Cutter Rod Chuck	
22	01400315	Shaft Sleeve-5	
23	03021103	Support Plate-Shuttle Box-P	
24	03020612	Mounting Plate-Trimming Driving Bar-SR-P	

No.	Serial No.	Part name	Remark
25	3011150140	Trimming Rotating Rod-Shuttle Box-MT	
26	03020611	Thread Trimming Rod-SR-P	
27	03020613	Rear Cover Of Shuttle Box-SR-P	
28	03020614	Upper Cover Of Shuttle Box-SR-P	
29	03020660	Picker Solenoid Assembly-SR-P	
30	03020621	Cover-Picker-SR-P	
31	02101611VA	Needle Plate -SR-C-H	
S1	80810412	M4X12 Cylinder Head Hexagon - Black	
S2	80746512	M5X12 Screw	
S3	80740306	Screw M3*6-Small Head Philips	
S4	80685135	Cylinder Pin	
S5	80746306	Screw M3*6	
S6	80740108	Screw M4*8	
S7	80860326	M3*6 Flat Head Philips Screw	
S8	80924211	M4*4-5*3.5 Screw	
S9	80810512	Hexagon Socket Head Cap Screw M5X12- Black	
S10	80811040	M10*40 Hexagon Socket Head-Black	
S11	80901013	M10 Spring Cushion-Black	
S12	80901002	Flat Washer M10	
S13	80901202	M12 Thick Flat Cushion- Nickel-Plated	
S14	80901213	M12 Spring Cushion-Black	
S15	80811240	M12*40 Hexagon Socket Head	
S16	80900501	M5 Plain Washer	
S17	80900513	M5 Spring Cushion-Black	

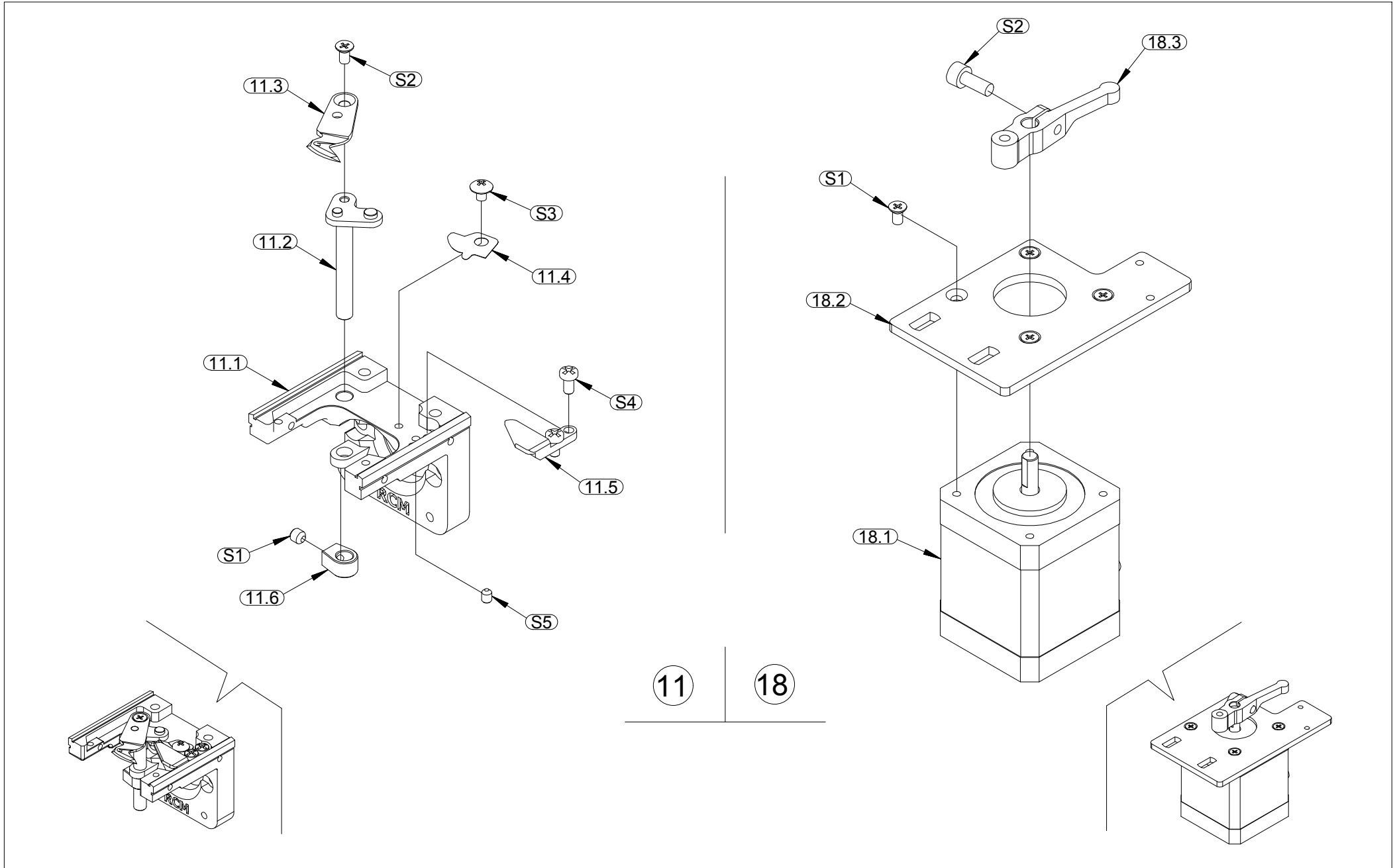
02.ROTARY HOOK BASE

03020V4



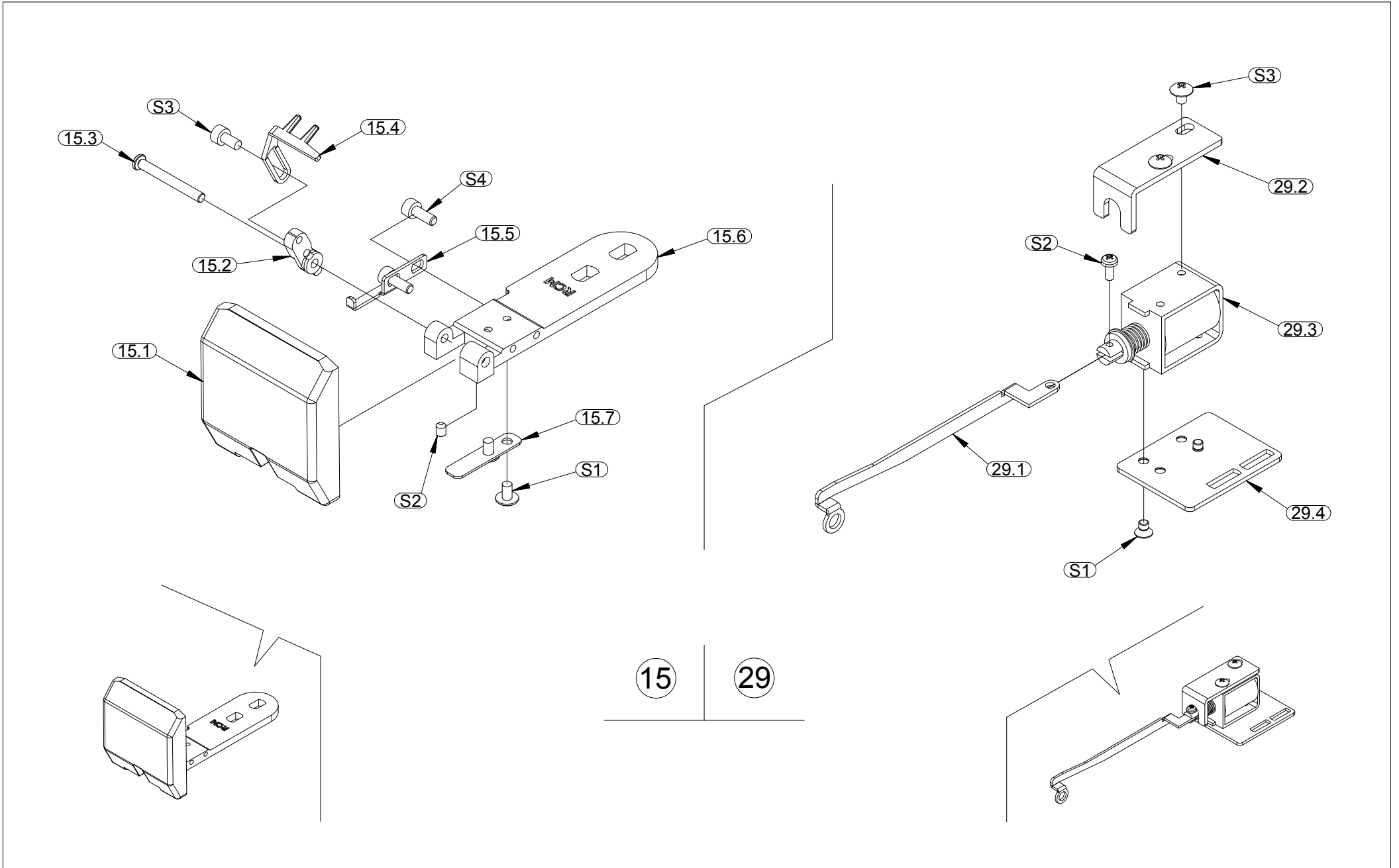
02-1.ROTARY HOOK BASE

03020V4



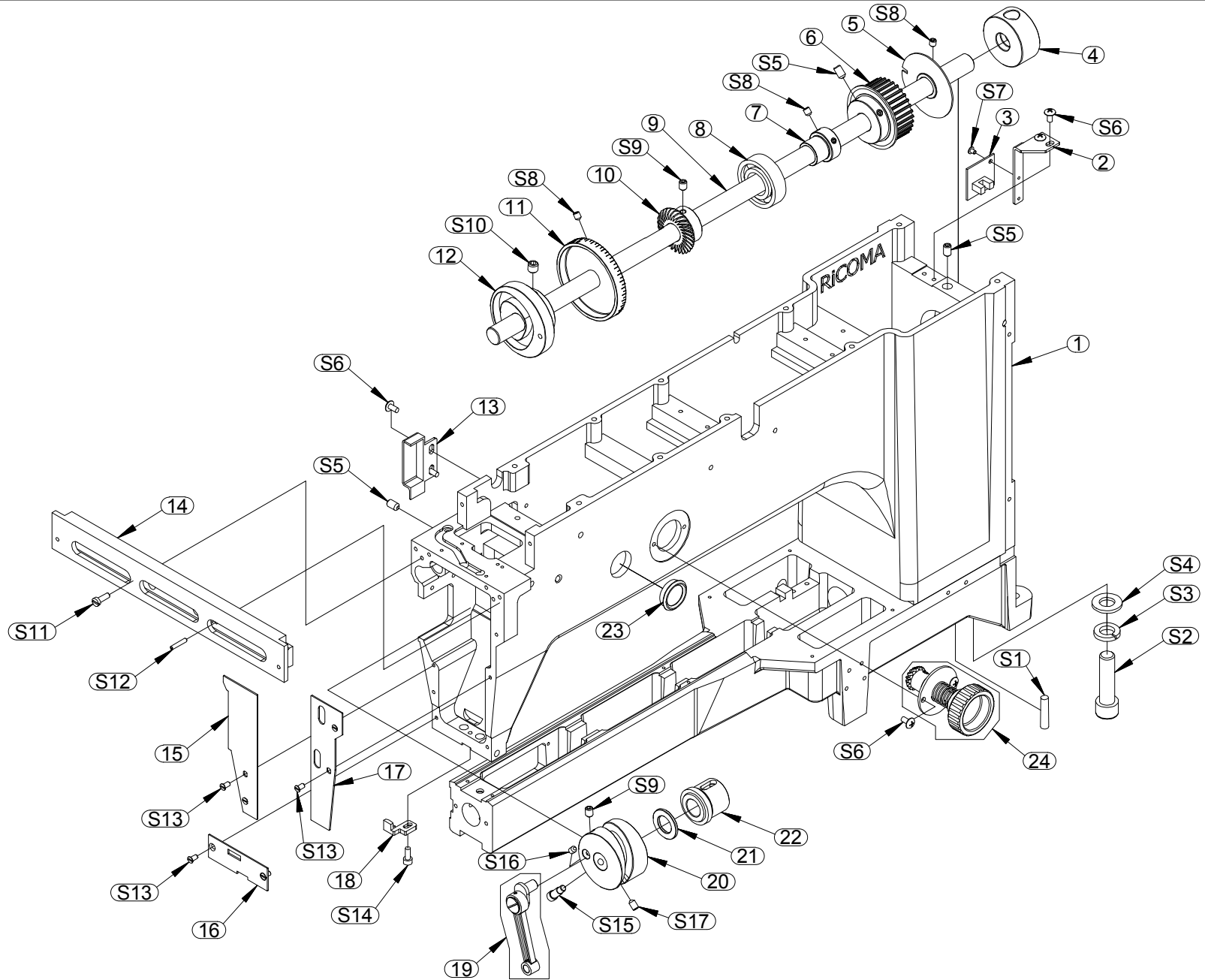
02-2.ROTARY HOOK BASE

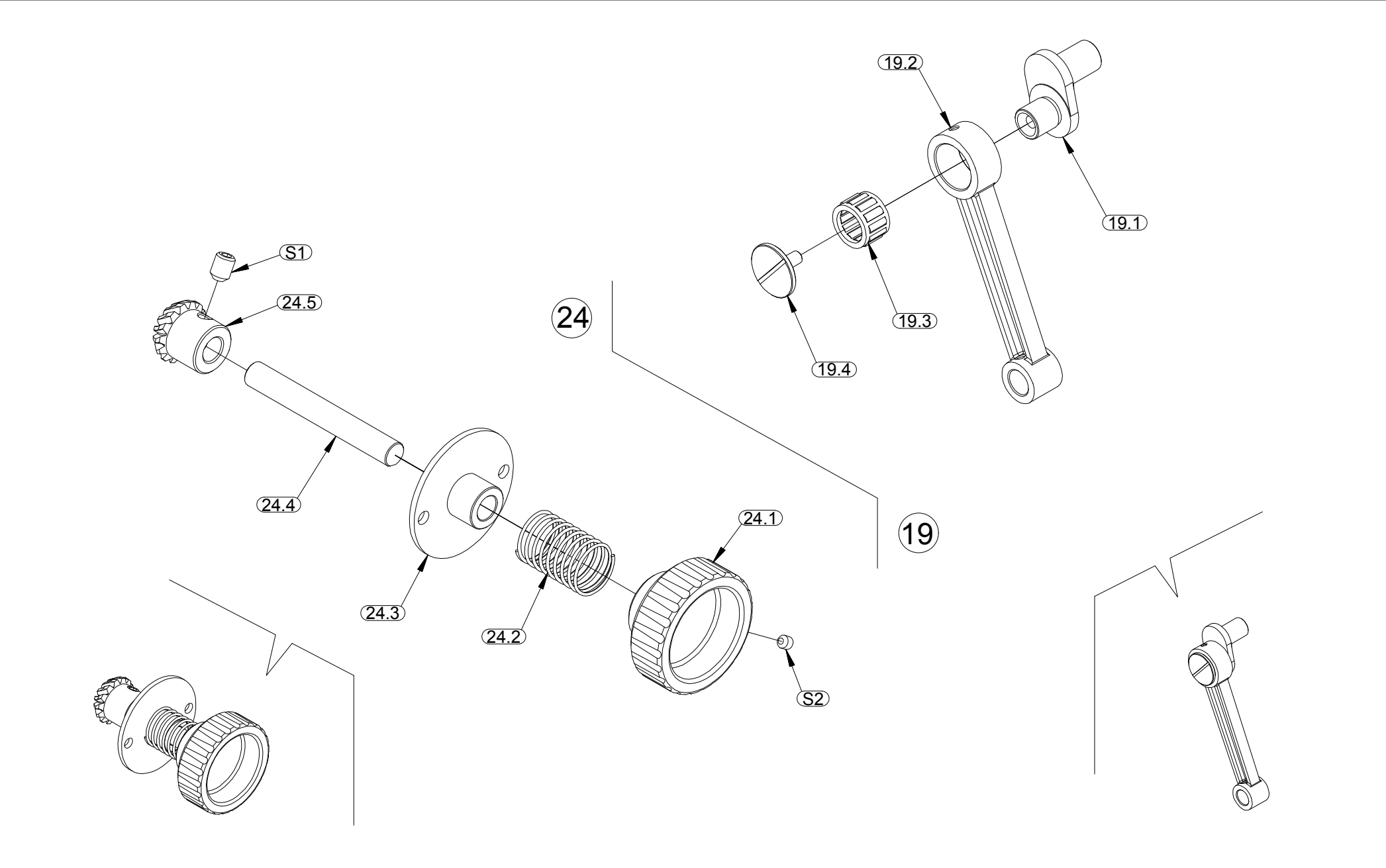
03020V4



03.ARM

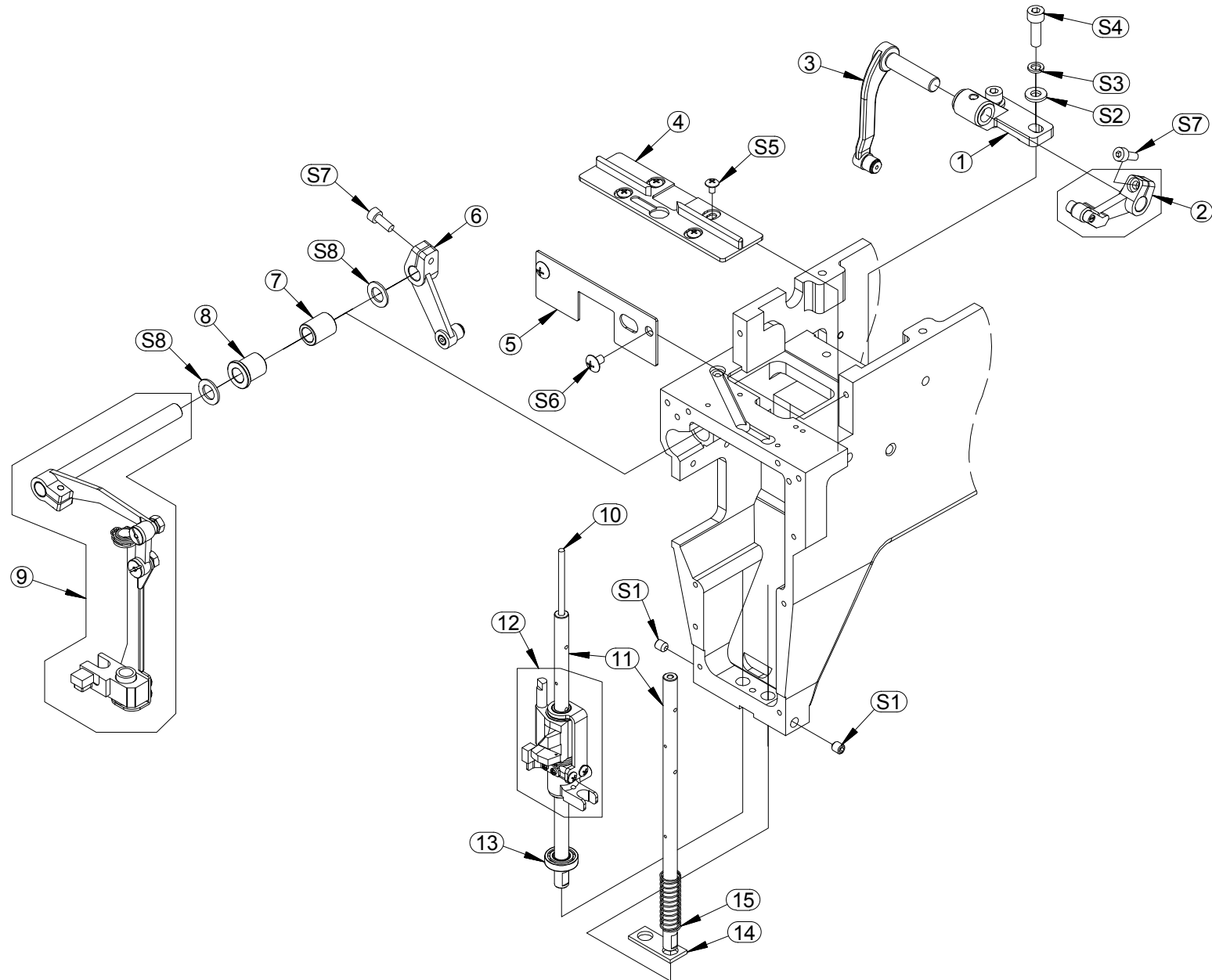
03030V4





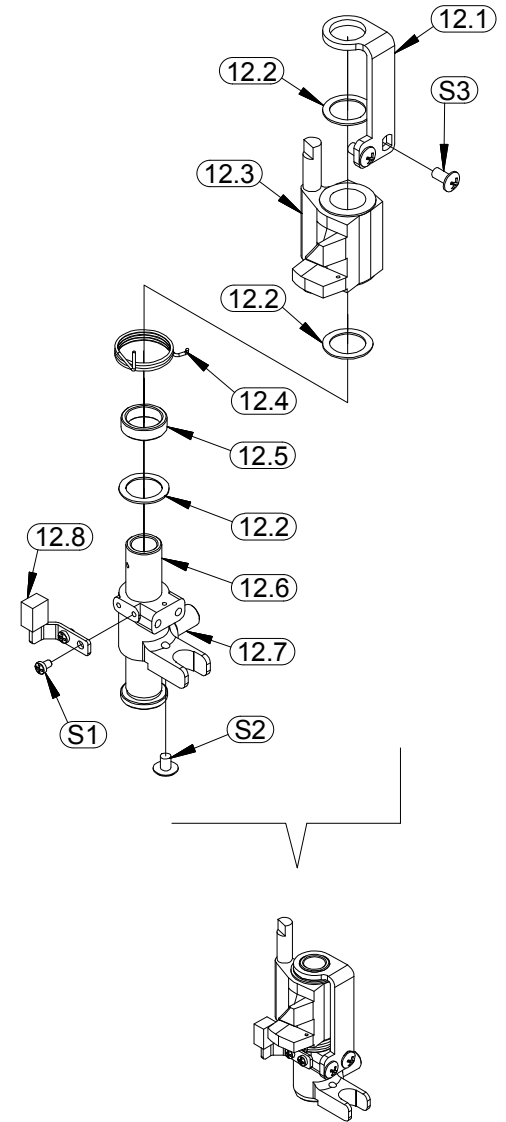
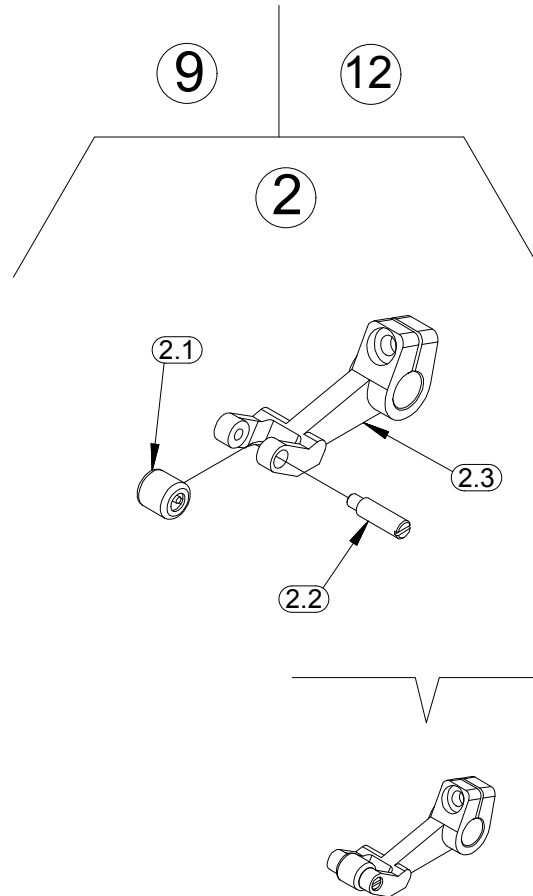
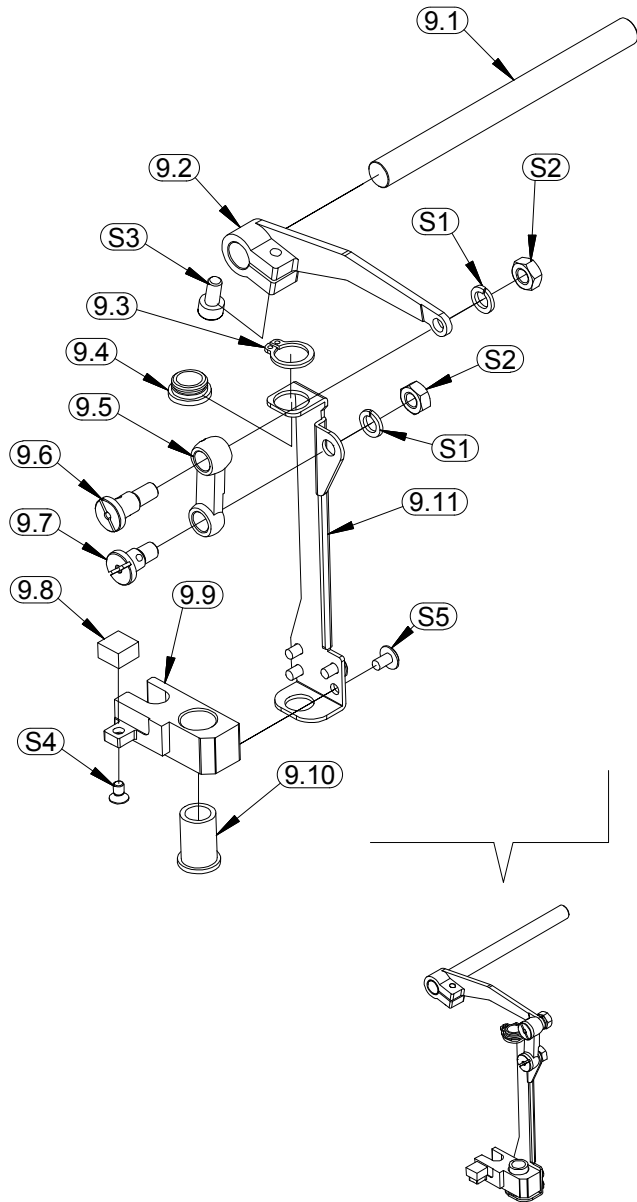
04.NEEDLE BAR DRIVING PARTS

03040V4



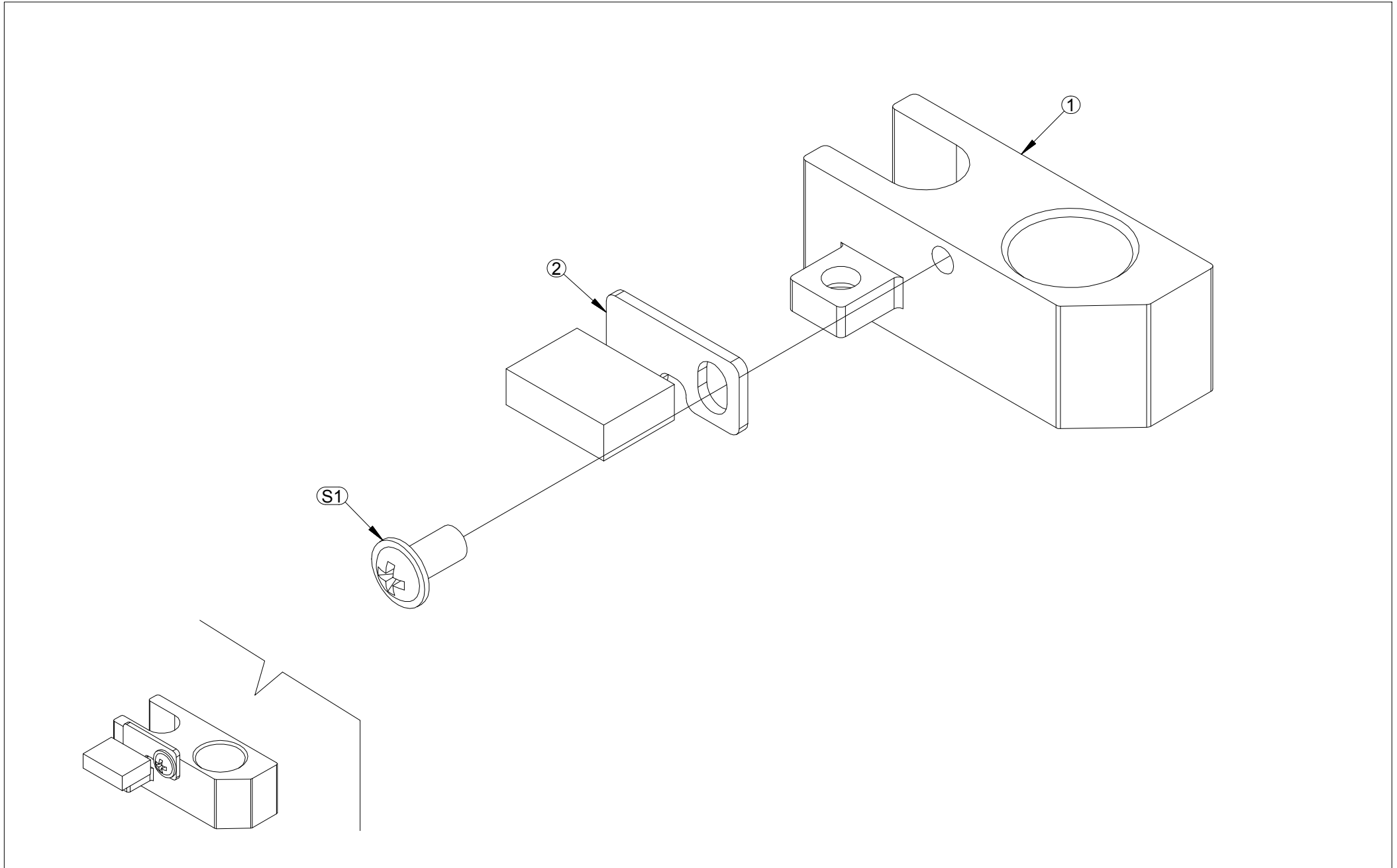
04-1.NEEDLE BAR DRIVING PARTS

03040V4



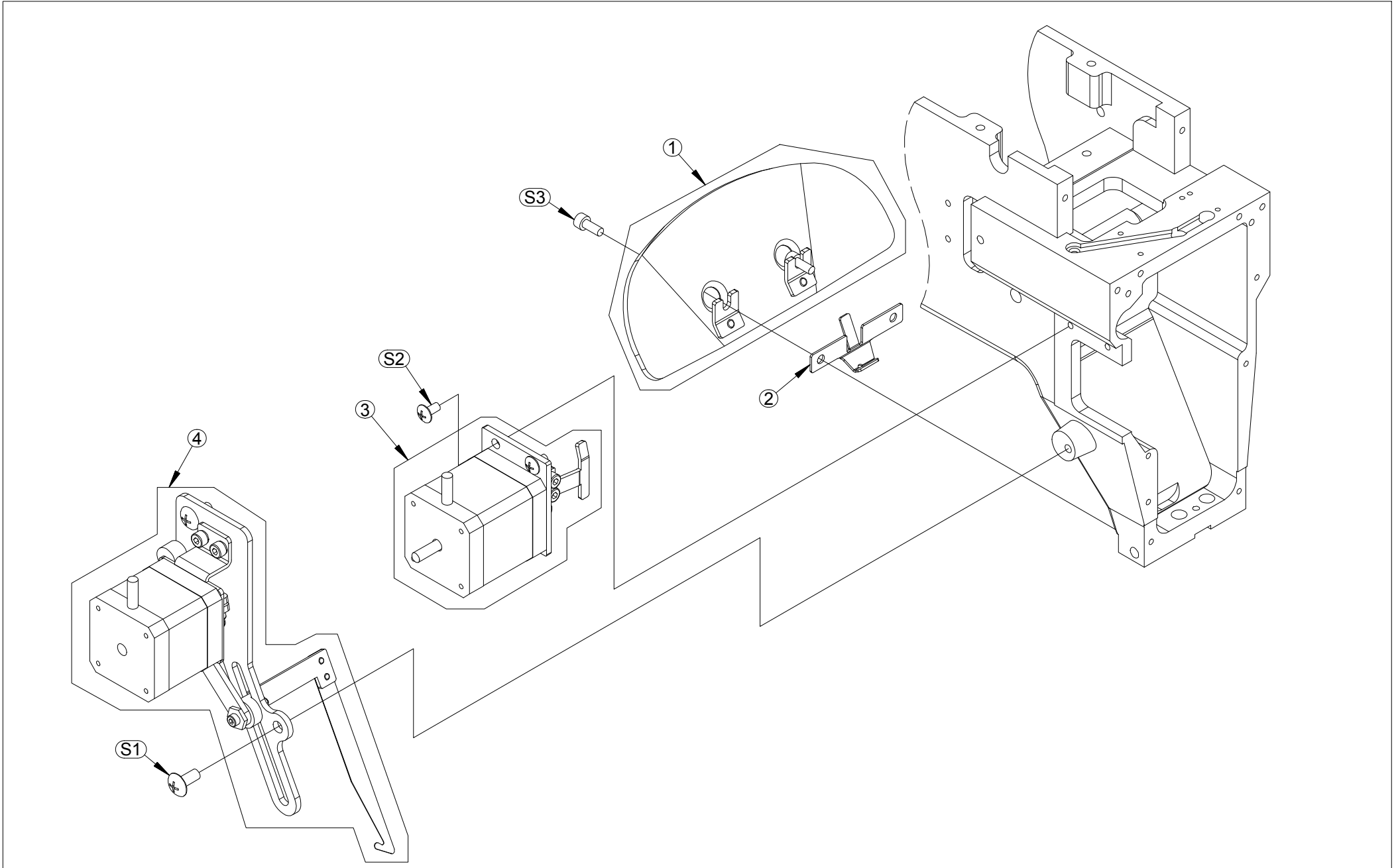
04.NEEDLE BAR DRIVING PARTS (BEFORE)

03040V3



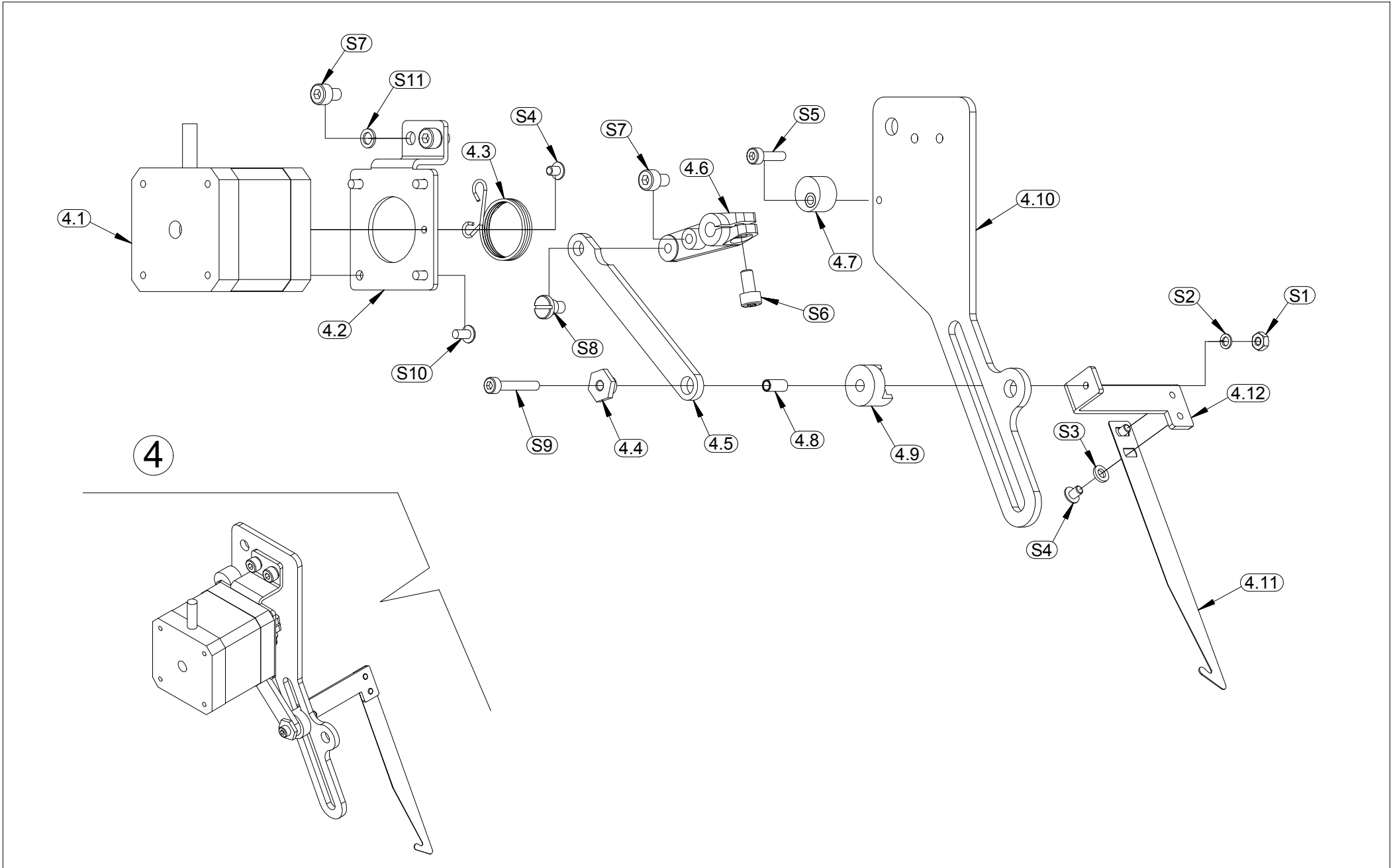
05.HOOK AND JUMP

03050V4



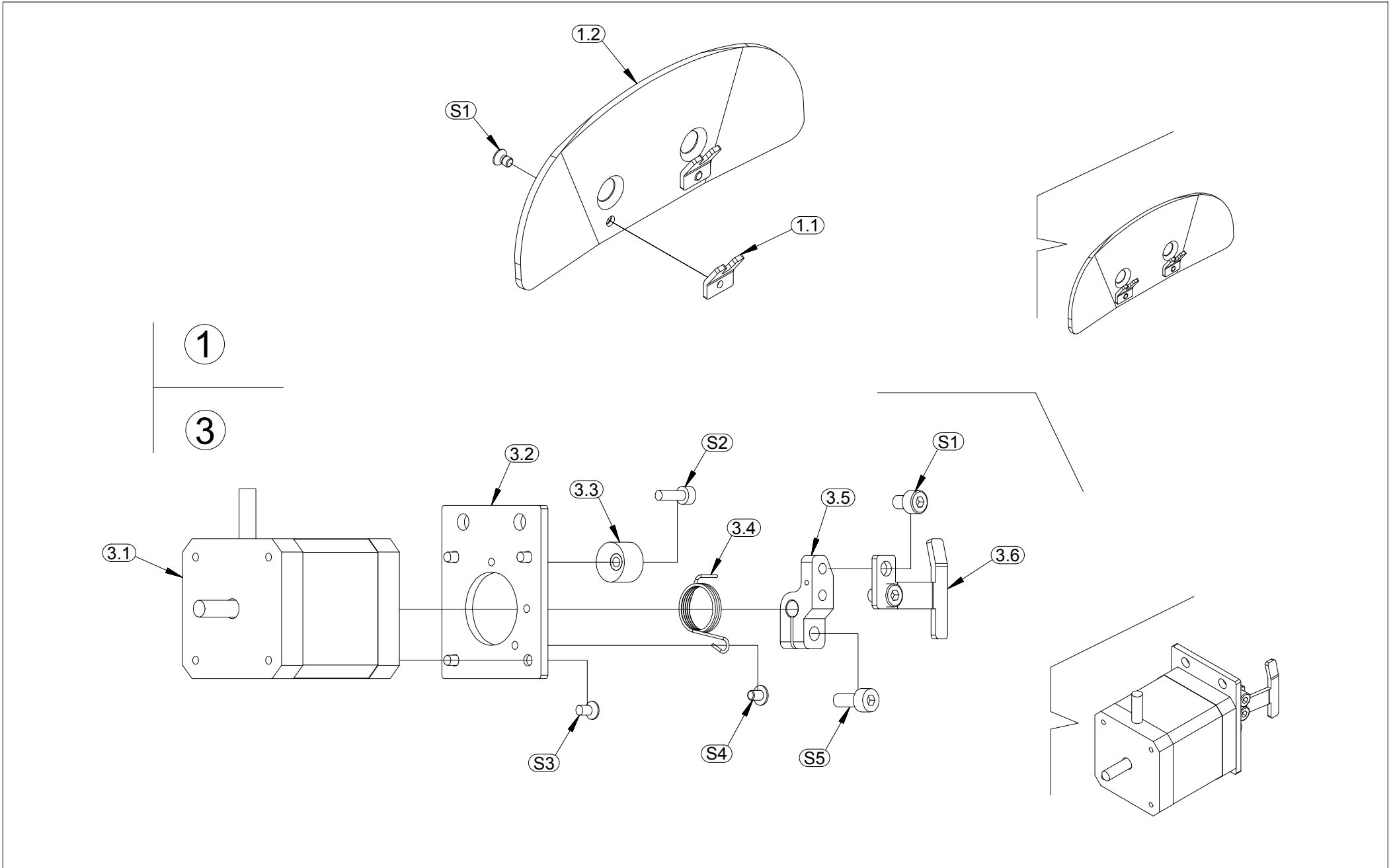
05-1.HOOK AND JUMP

03050V4



05-2.HOOK AND JUMP

03050V4



05-2.HOOK AND JUMP

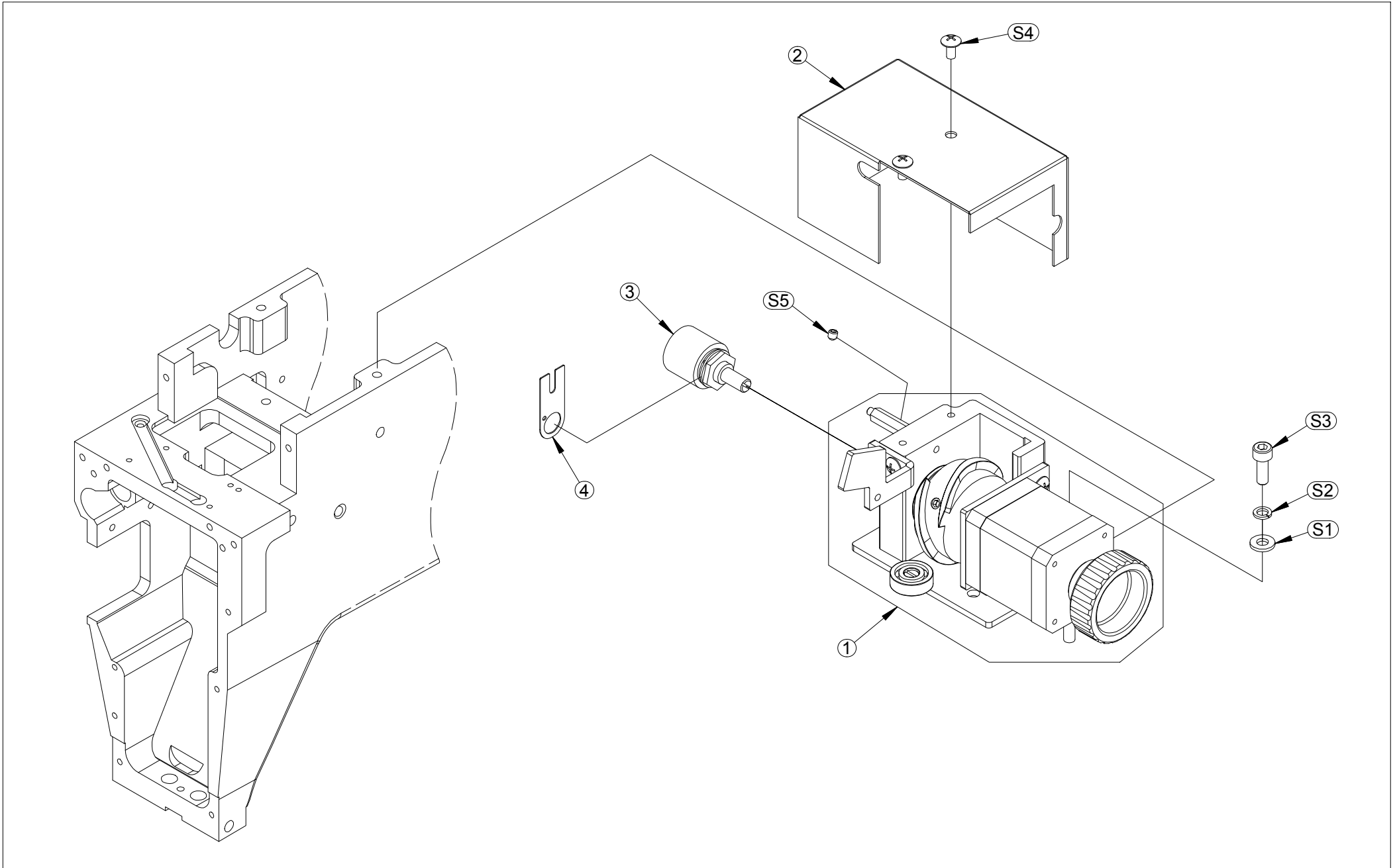
03050V4

No.	Serial No.	Part name	Remark
1	03040153	Arm Baffle Components	
1.1	03040154	Arm Baffle Bracket	
1.2	03040151	Machine Head Lower Baffle	
S1	80860406	M4*6 Screw	
3	03040791	Jumping Motor Set-P	
3.1	03040692	42 Motor-Jumping-L1200	
3.2	03040701	Head Board	
3.3	03040706	Silencer Block	
3.4	03040705	Jumping Spring	
3.5	03040702	Head Jumping Board	
3.6	03040703	Jumping Bar Bracket	
S1	80810406	M4*6 Cylinder Head Hexagon - Black	
S2	80810310	M3*10 Cylinder Head Hexagon - Black	
S3	80860326	M3*6 Flat Head Philips Screw	
S4	80742304	M3*4 Screw	
S5	80810410	M4*10 Hexagon Socket Caphead Screw	

No.	Serial No.	Part name	Remark

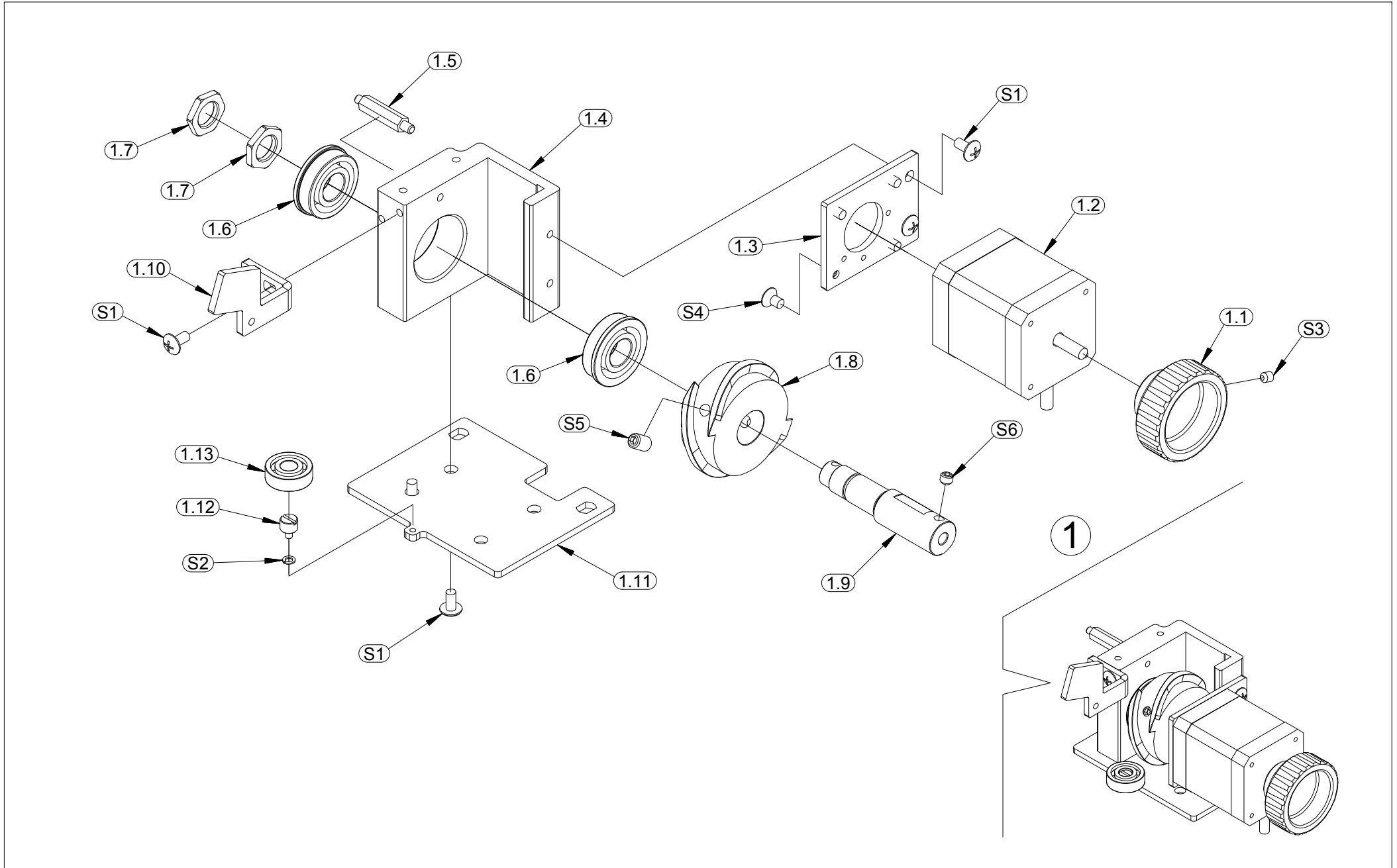
06.COLOR CHANGE SYSTEM

03060V4



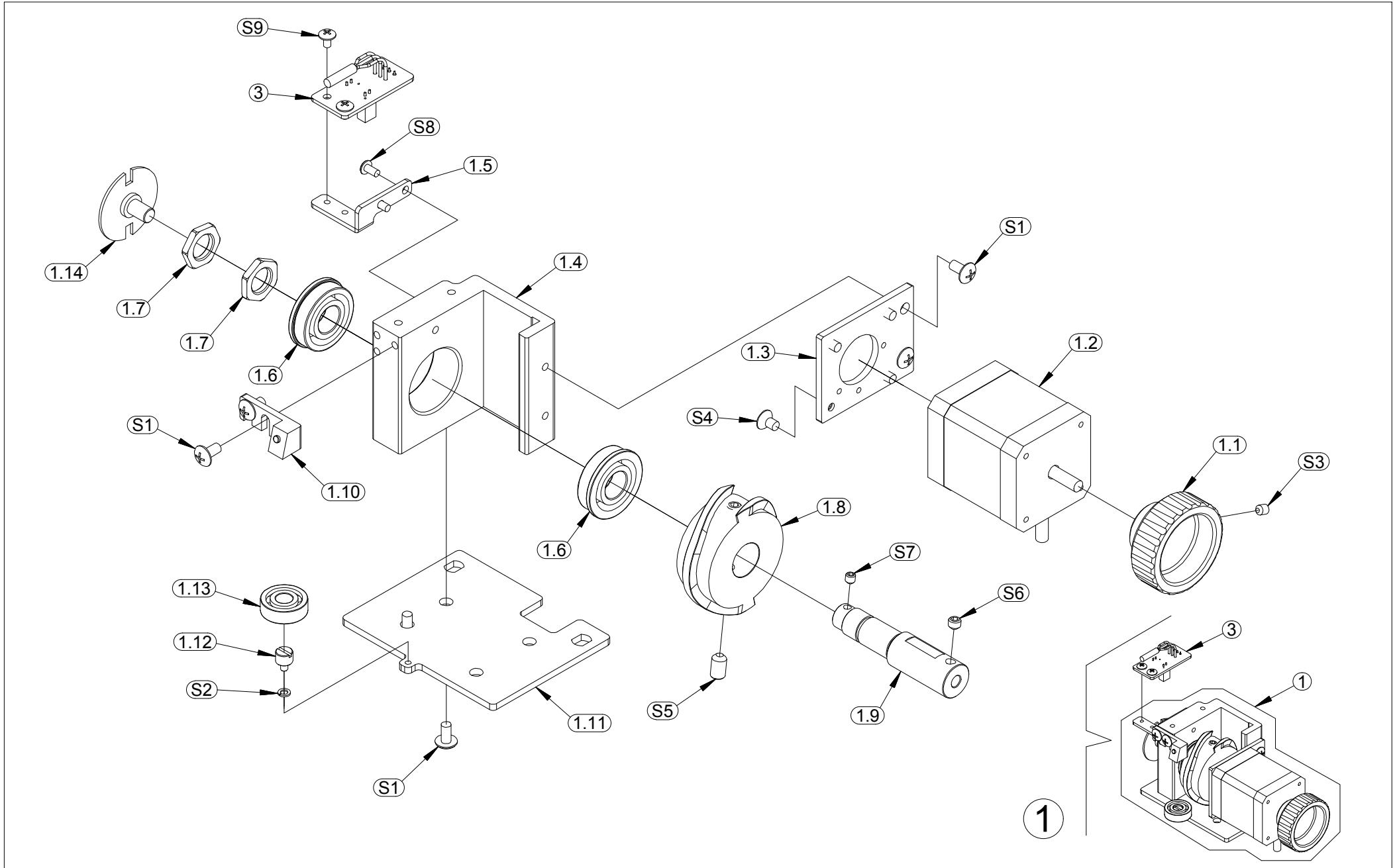
06-1.COLOR CHANGE SYSTEM

03060V4



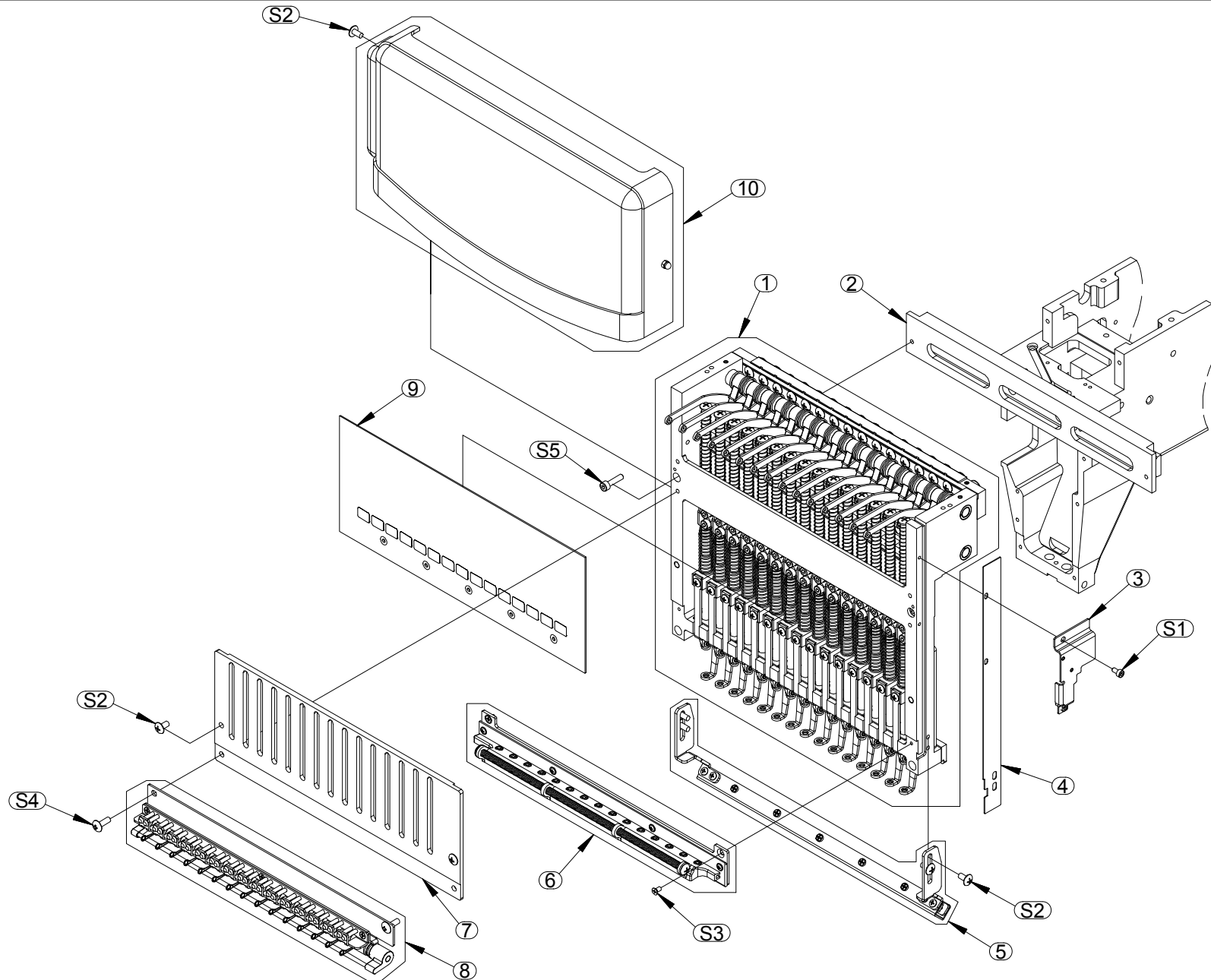
06-2.COLOR CHANGE SYSTEM (20N)

03060V4



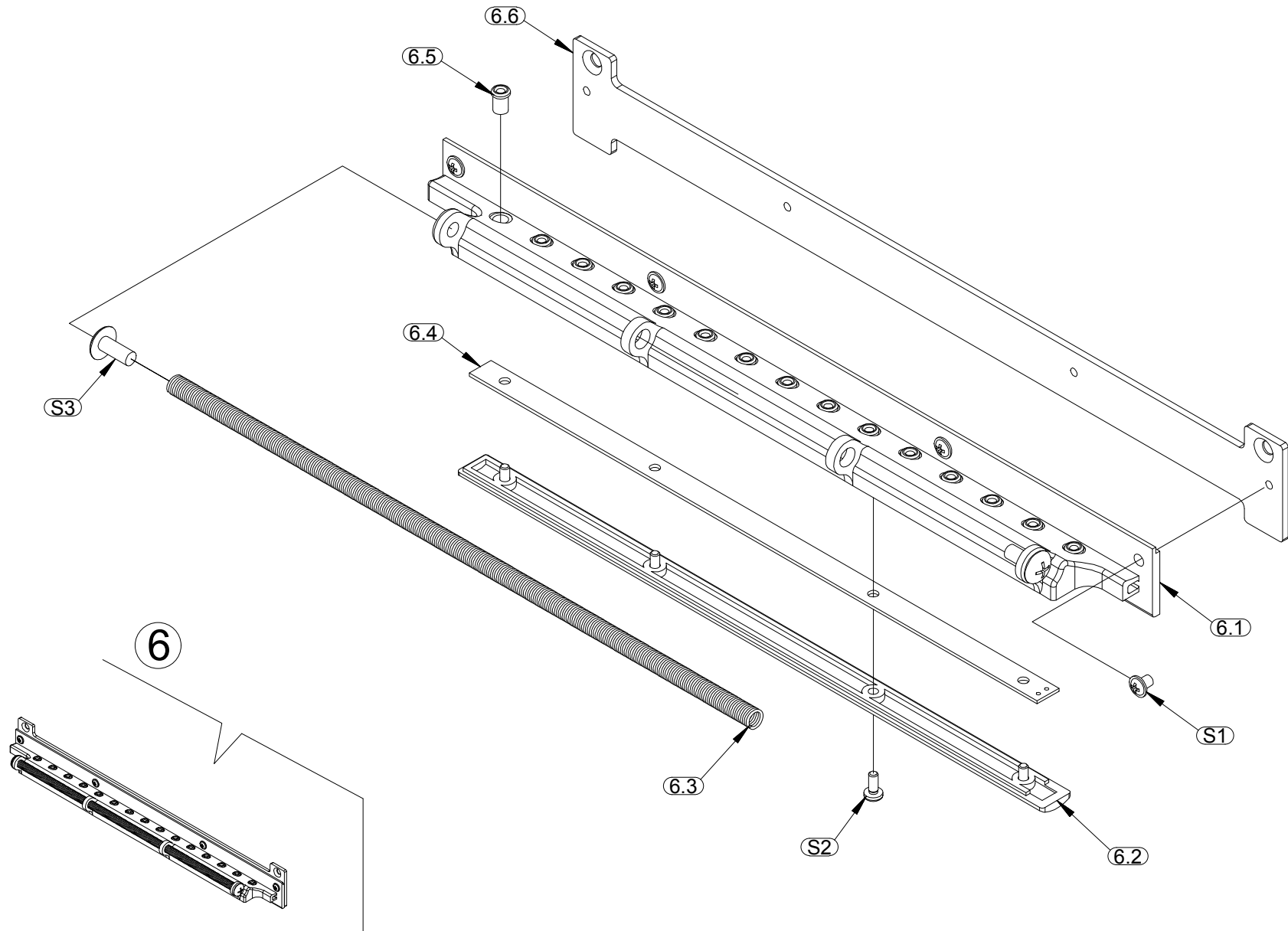
07.NEEDLE BAR CASE 1

03070V4



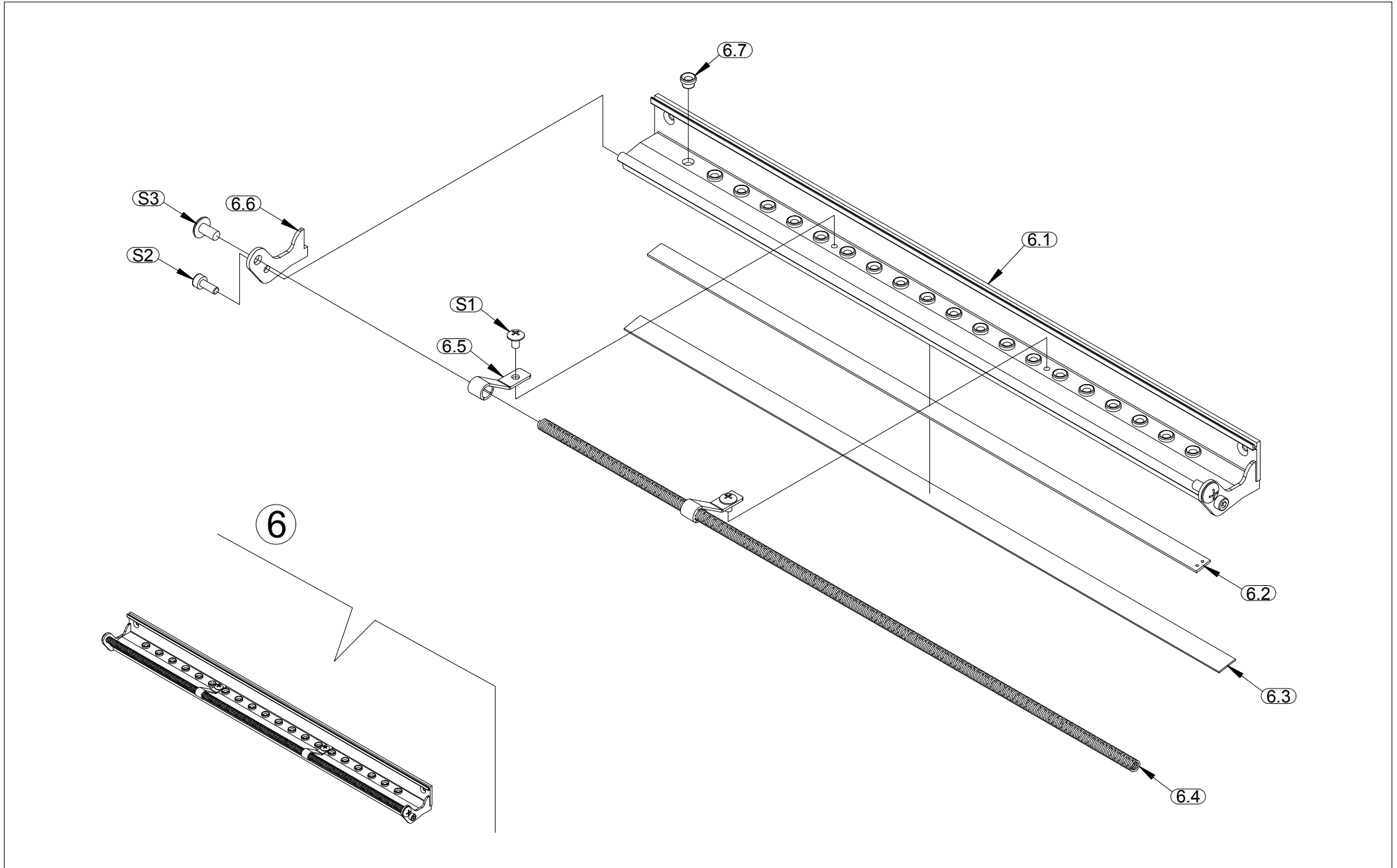
07-1.NEEDLE BAR CASE 1

03070V4



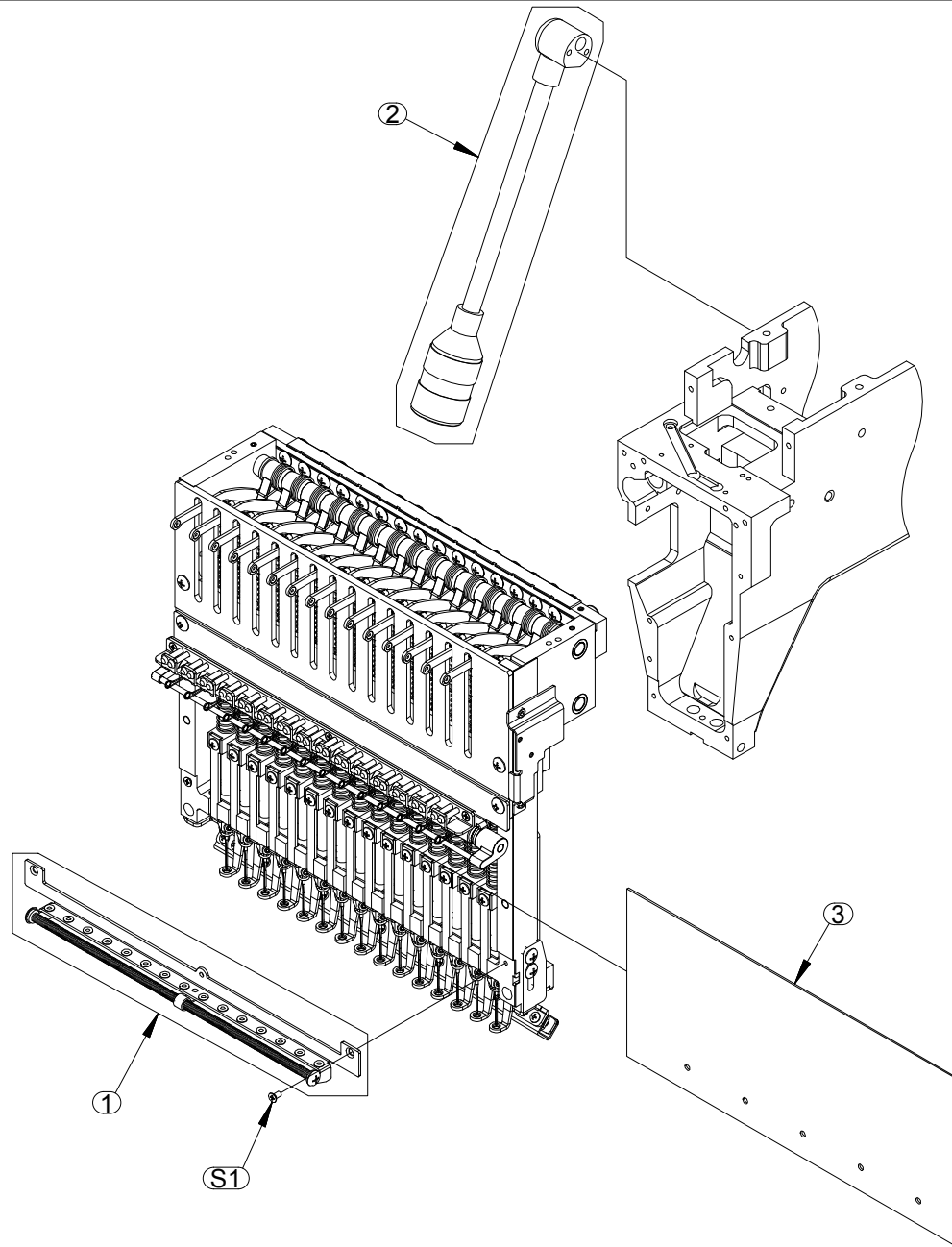
07-2.NEEDLE BAR CASE 1 (20N)

03070V4



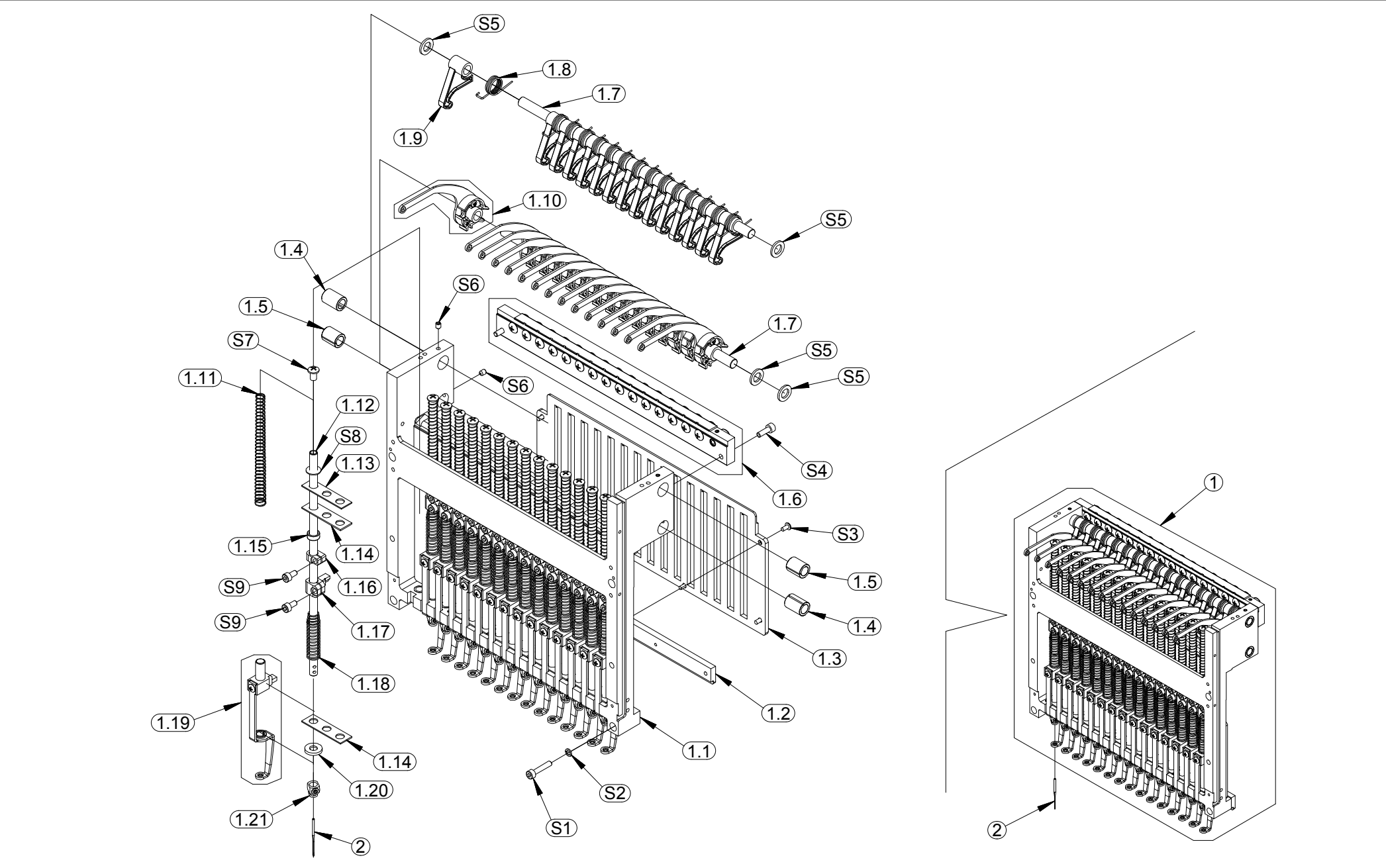
07.NEEDLE BAR CASE 1 (BEFORE)

03070V3



07.NEEDLE BAR CASE 2

03071V4



07.NEEDLE BAR CASE 2

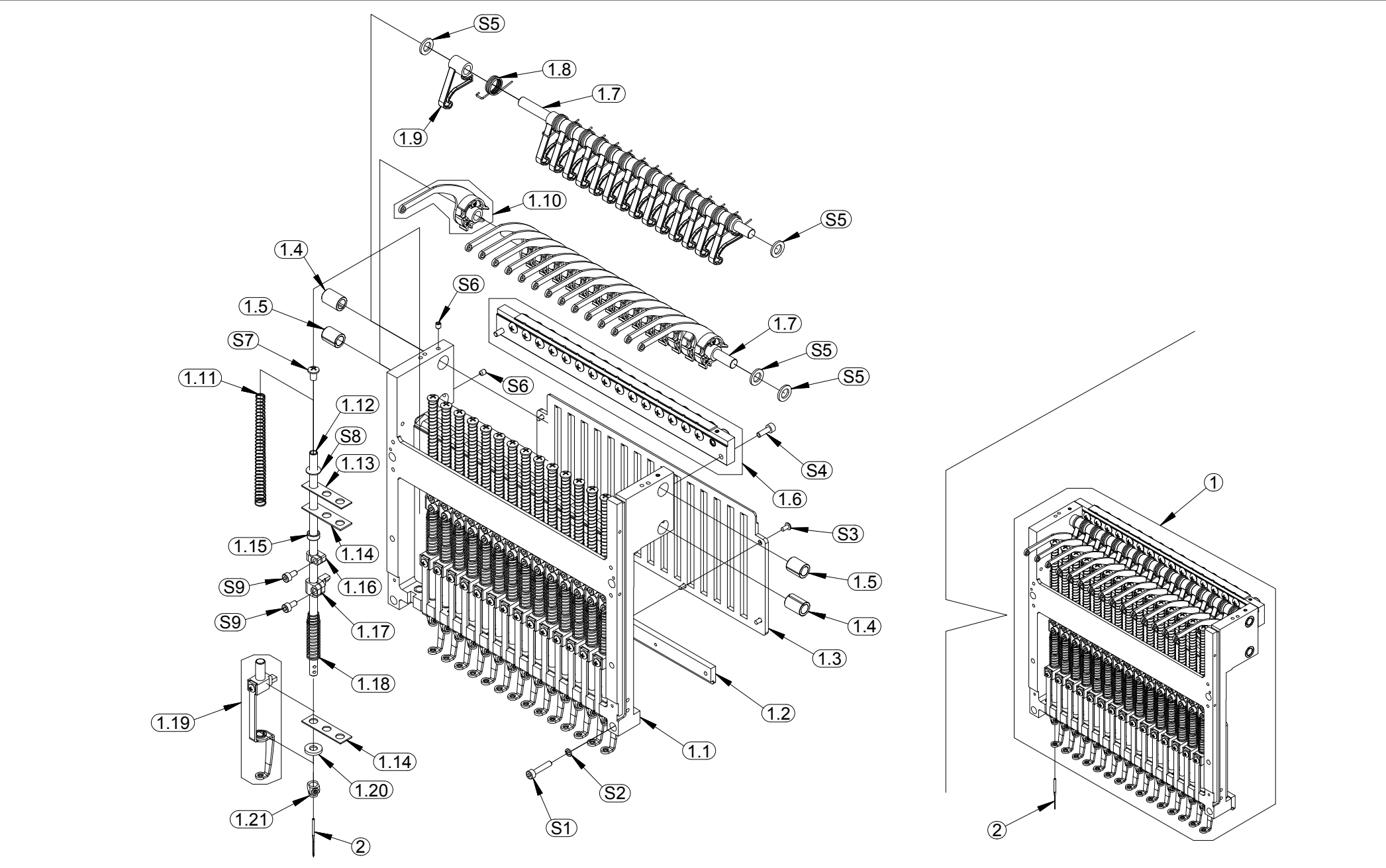
03071V4

No.	Serial No.	Part name	Remark
1	03089181	Needle Bar Case Module-15 Needle-P	
1	03089191	Needle Bar Case Module-12 Needle-P	
1	03089185	Needle Bar Case Module-20 Needles-P	
1.1	03081115VA	Needle Bar Case-P-15	
1.1	03081103VB	Needle Bar Case-P-12	
1.1	4006012000	Needle Bar Case-20 Needles	
1.2	03081122	DT-Below Guide Rail-15	
1.2	03081121	DT-Below Guide Rail-12	
1.2	72410121-20	Lower Guide Rail-Ra-20 Needles	
1.3	03081311	Needle Bar Guide Plate-15	
1.3	03081301	Needle Bar Guide Plate-12	
1.3	03081320	Needle Bar Guide Plate-20N	
1.4	03081507	Thread-Taking-Up Shaft Block-L17	
1.4	03081505	Take-Up Shaft Block-15	
1.4	03081509	Take Up Shaft Block-20-20N	
1.5	03081505	Take-Up Shaft Block-15	
1.5	03081506	Take-Up Shaft Block-12	
1.5	03081508	Take Up Shaft Block-15-20N	
1.6	03081215VA	Color Change Plate-Shaft Style-15	
1.6	03081212VA	Color Change Board-Shaft Style-12	
1.6	03081220	Color Change Plate Components-20N-Shaft	
1.7	01221533	Take-Up Shaft - 15	
1.7	01221532	Take-Up Shaft - 12	
1.7	72100206-20	Take-Up Shaft - D10*340	Parts for 20 needles

No.	Serial No.	Part name	Remark
1.8	03081503	Fixed Block Torsional Spring	
1.8	72100205	Self-buckling spring-RD-01	Parts for 20 needles
1.9	03081502	Take Up Lever Positon Block	
1.9	72100202	Self-buckling part-RD-01	Parts for 20 needles
1.10	03081591	Take Up Lever Module	
1.10	72100201	Take Up Lever-RD-01	Parts for 20 needles
1.11	03080102	Needle Bar Spring-P	
1.12	03080160	Needle Bar-217	
1.13	01221602	3 Pore Cusion-1	
1.14	01221606	3-Hole Felt-1	
1.15	4006200000	O-Type Presser Foot Ring	
1.16	01222105	Upper Dead Point Clamp	
1.17	01222106	Needle Bar Connecting Pin	
1.18	03080108	Presser Foot Spring-P	
1.19	03080165	Adjustable Presser Foot Assembly	
1.20	01222110	Rubber Cushion	
1.21	01222194	Needle Clamp	
S1	80810425	Cylinder Head Hexagon - Black M4*25	
S2	80900413	M4 Spring Washer - Black	
S3	80746306	Screw M3*6	
S4	80810412	M4*12 Cylinder Head Hexagon - Black	
S5	80900805	Flat Washer M8- Copper	
S6	80880405	M4*5 Hexagon Socket Set Screw	
S7	80746508	M5*8 Screw	

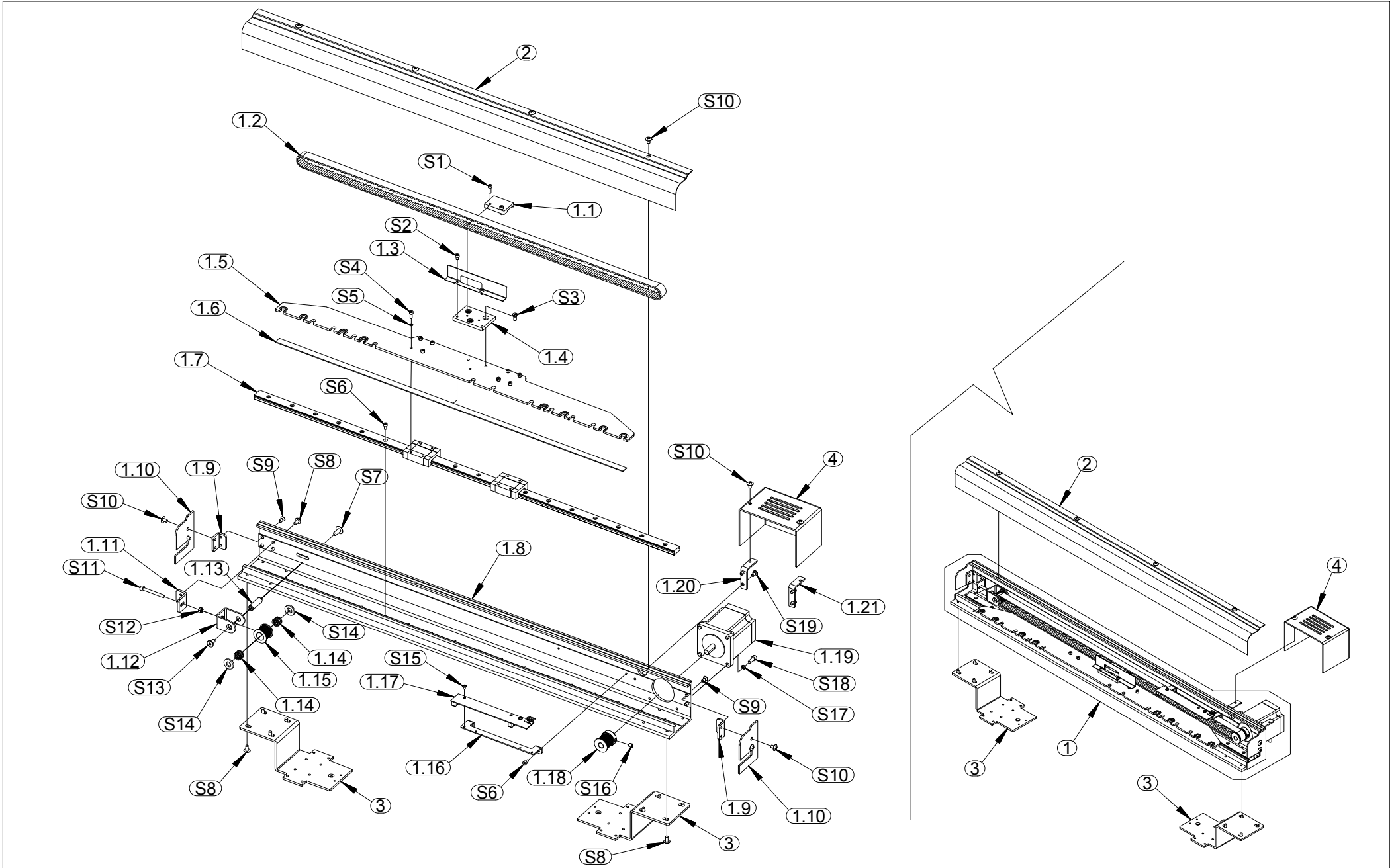
07.NEEDLE BAR CASE 2

03071V4



08.X-AXIS DRIVE SYSTEM

03080V4



08.X-AXIS DRIVE SYSTEM

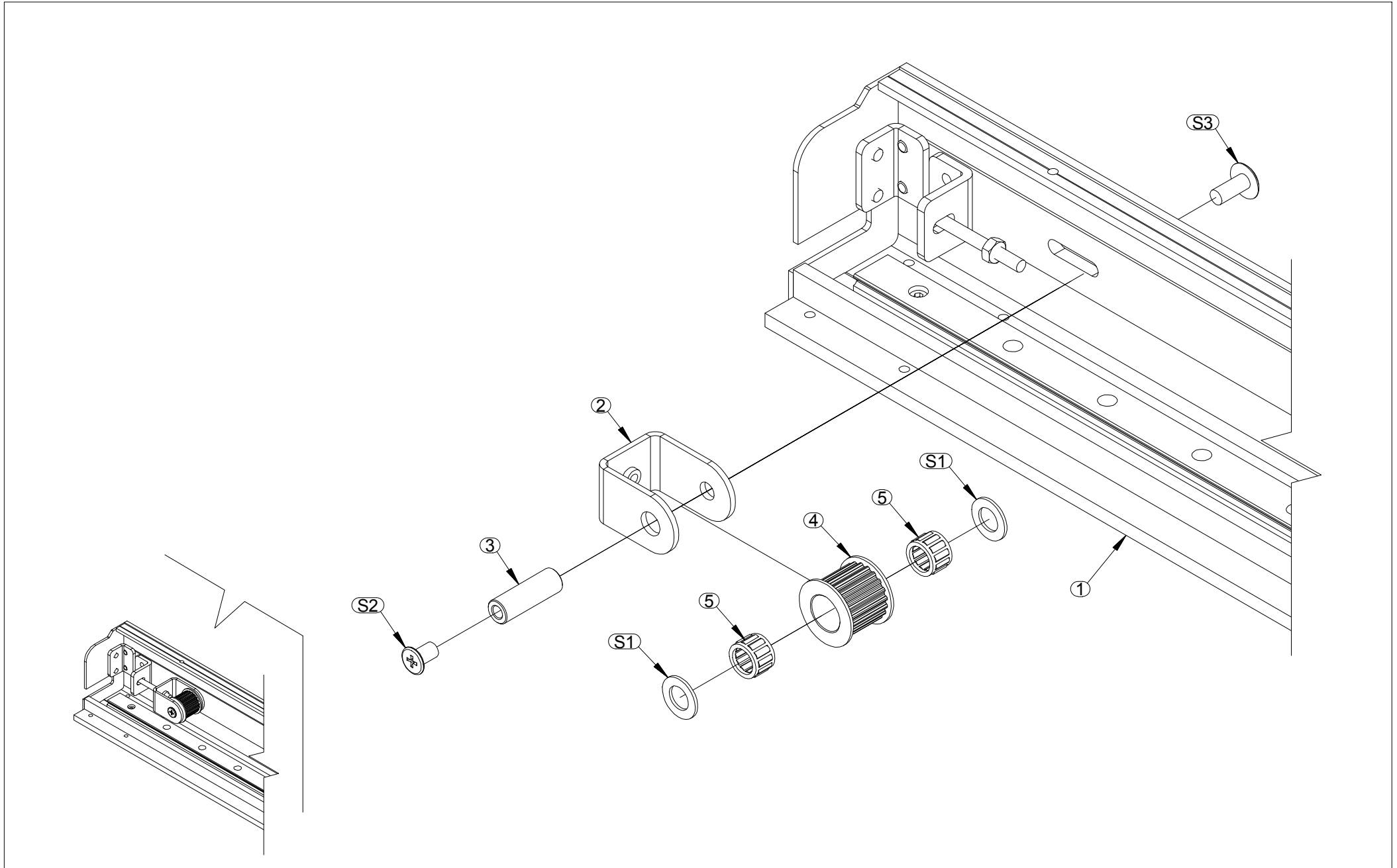
03080V4

No.	Serial No.	Part name	Remark
1	03100191	Driving Set-X	
1.1	03100108	Belt Tension Platen	
1.2	03100190	Timing Belt-X-3M-15	
1.3	03100112V1	Light Baffle-Limit-X	
1.4	03100104	Connection Pressing Platen	
1.5	03100131CC	Driver Connecting Board-X-Flat Board	
1.6	03100109	Connecton Rod Fencing Felt	
1.7	80015112	Linear Guideway FN-BRH15-2-720	
1.8	03100101	X Drive Bracket	
1.9	03100118BA	Driving Cover Support	
1.10	03100117	Driving Cover X	
1.11	03100107BA	Belt Tension Bracket-X	
1.12	03100105CA	Driven Wheel Support-X	
1.13	03100106CA	Passive Pulley Shaft-X	
1.14	80030831	Needle Roller Bearing	
1.15	80023602	20-3M-16-12 Pulley	
1.16	03100110	Limit Mounting Bracket	
1.17	03150820	Sensor Board-Limit Position	
1.18	80023601VA	Pulley-3M-20-17-H8	
1.19	03100193	60 Motor-X Axis-L110	
1.20	03100123	Motor Cover Support- R	
1.21	03100122	Motor Cover Support- L	
S1	80810310	M3*10 Cylinder Head Hexagon - Black	
S2	80810305	M3*5 Cylinder Head Hexagon - Black	

No.	Serial No.	Part name	Remark
S3	80860410	Hat Head Philips Screw M4*10	
S4	80810308	M3*8 Cylinder Head Hexagon - Black	
S5	80900313	M3 Spring Washer- Black	
S6	80810306	M3*6 Cylinder Head Hexagon - Black	
S7	80746512	M5*12 Screw	
S8	80746408	Screw M4*8	
S9	80860408	M4*8 Screw	
S10	80746406	Screw M4*6	
S11	80810435	Cylinder Head Hexagon - Black M4*35	
S12	80900428	M4 Nut	
S13	80866510	Screw M5*10	
S14	80030864	Graphite Washer 14-8-1	
S15	80742305	Flanged Semi-Circular Cross-M3*5	
S16	80880506	M5*6 Hexagon Socket Set Screw	
S17	80900413	M4 Spring Washer - Black	
S18	80810410	M4*10 Hexagon Socket Caphead Screw	
S19	80740406	Small round head Phillips screw M4*6	
2	03100116	X Cover	
3	03105107	Driving Connection Plate	
4	03100121AB	X Direction Motor Cover	

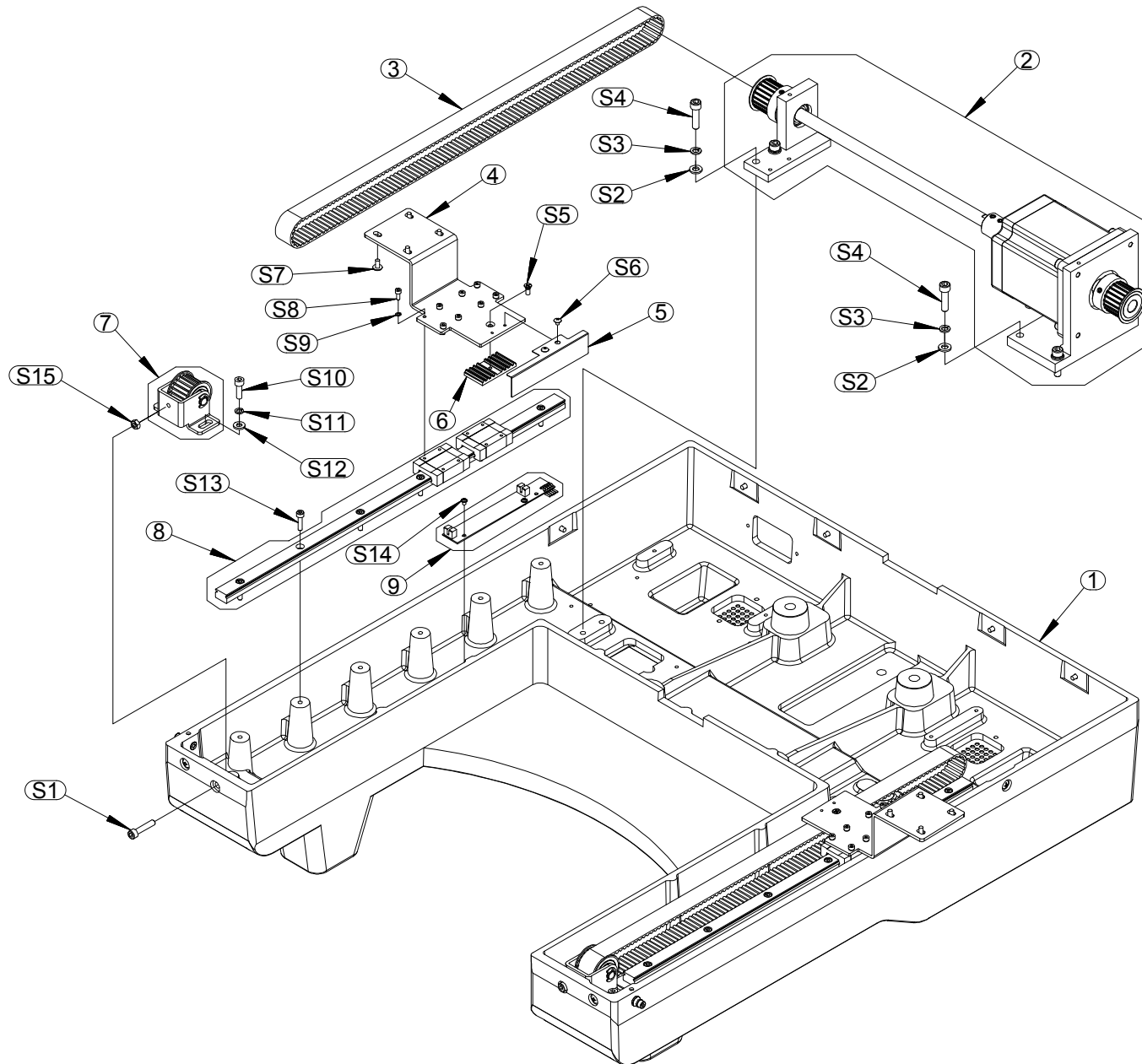
08.X-AXIS DRIVE SYSTEM (BEFORE)

03080V3



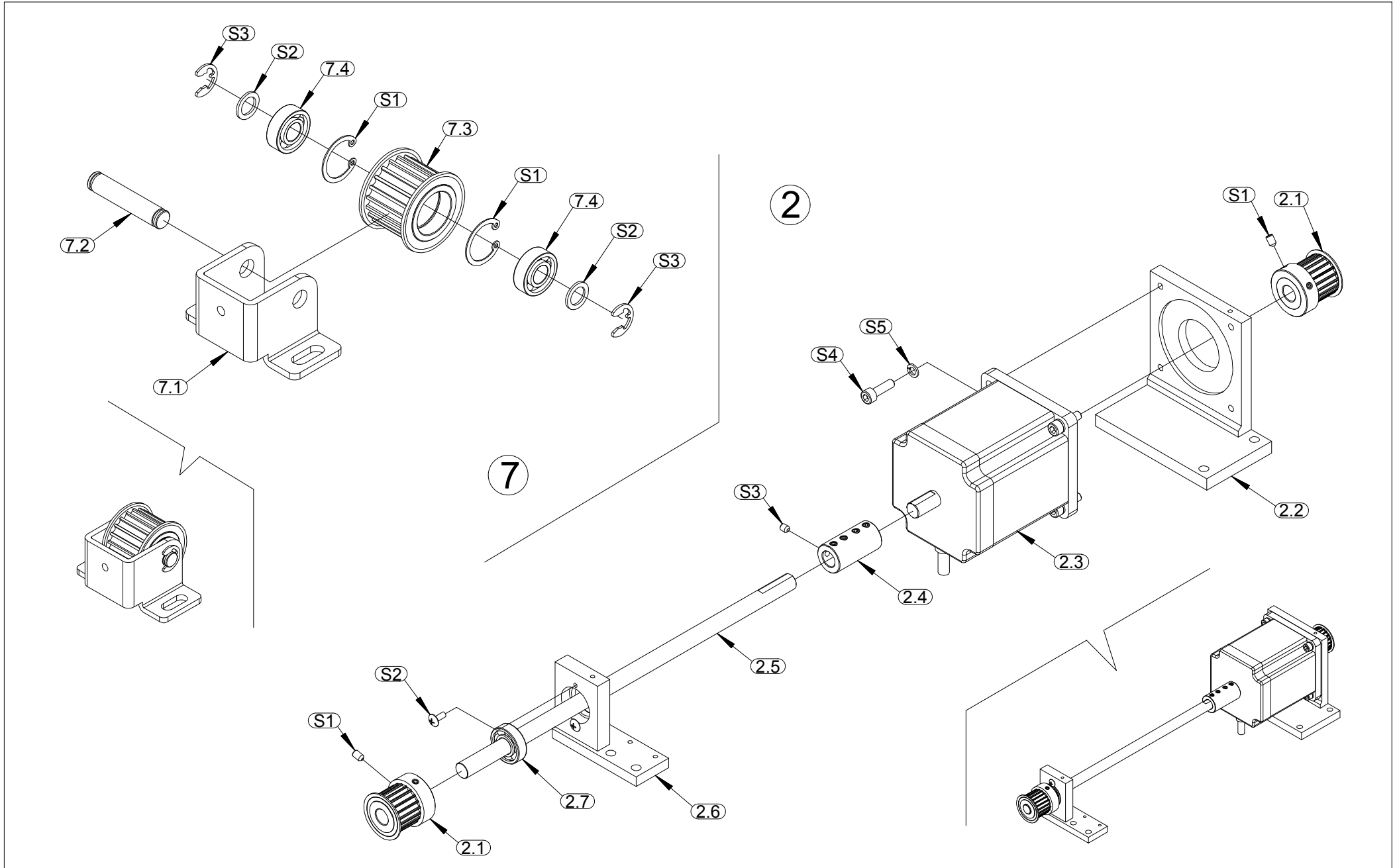
09.Y-AXIS DRIVE SYSTEM

03090V4



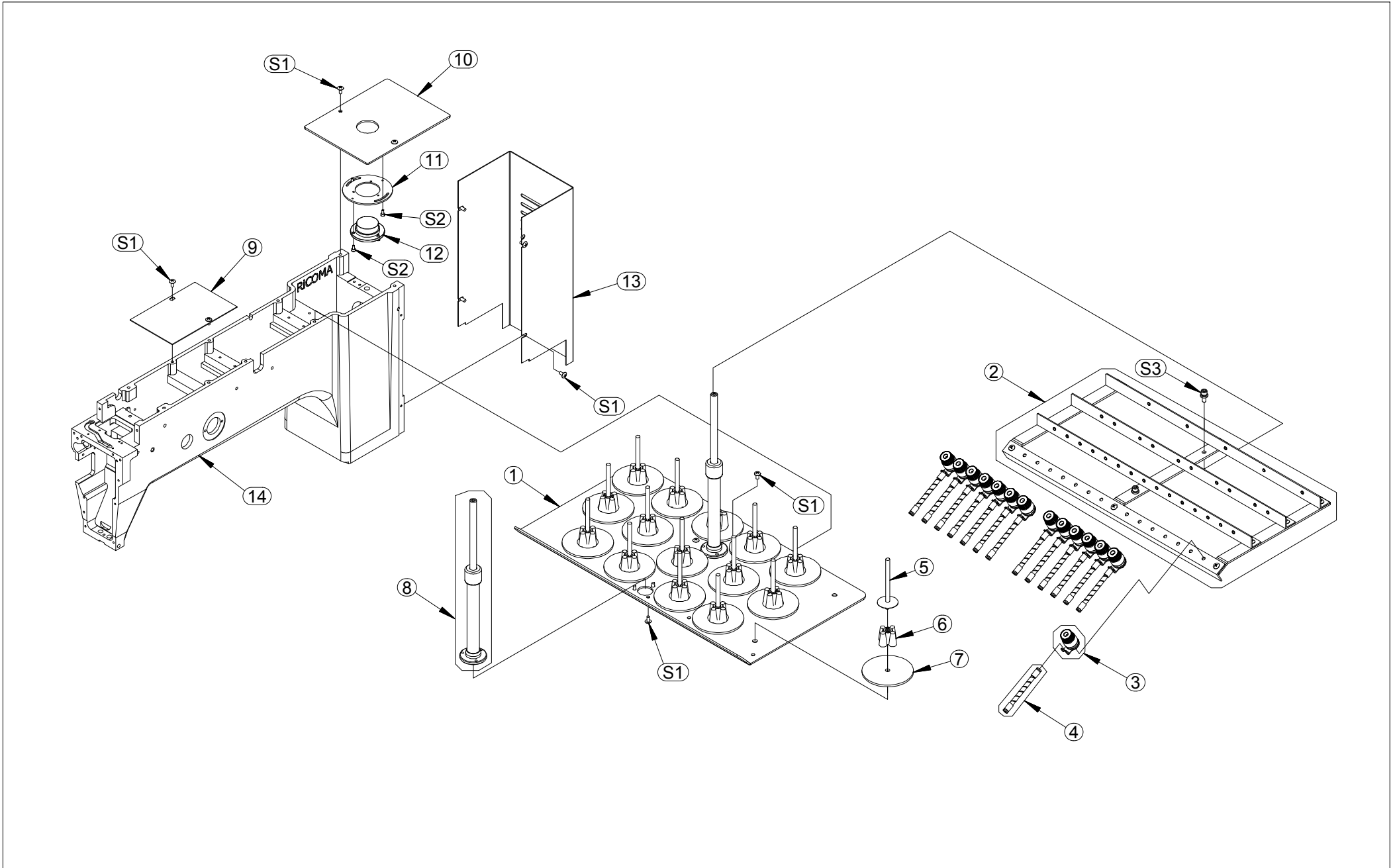
09-1.Y-AXIS DRIVE SYSTEM

03090V4



10.THREAD STAND

03100V4



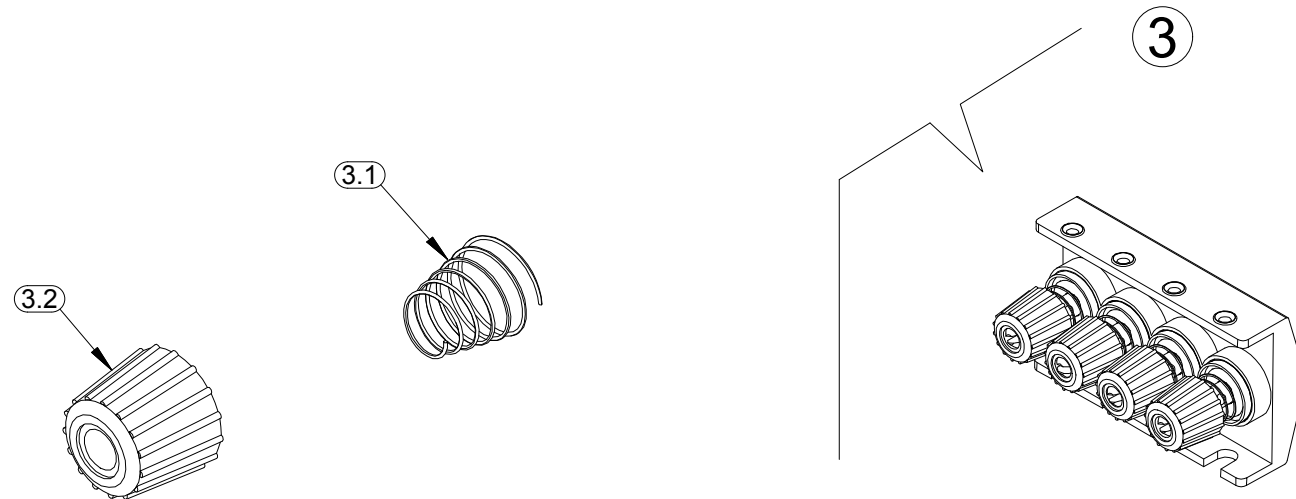
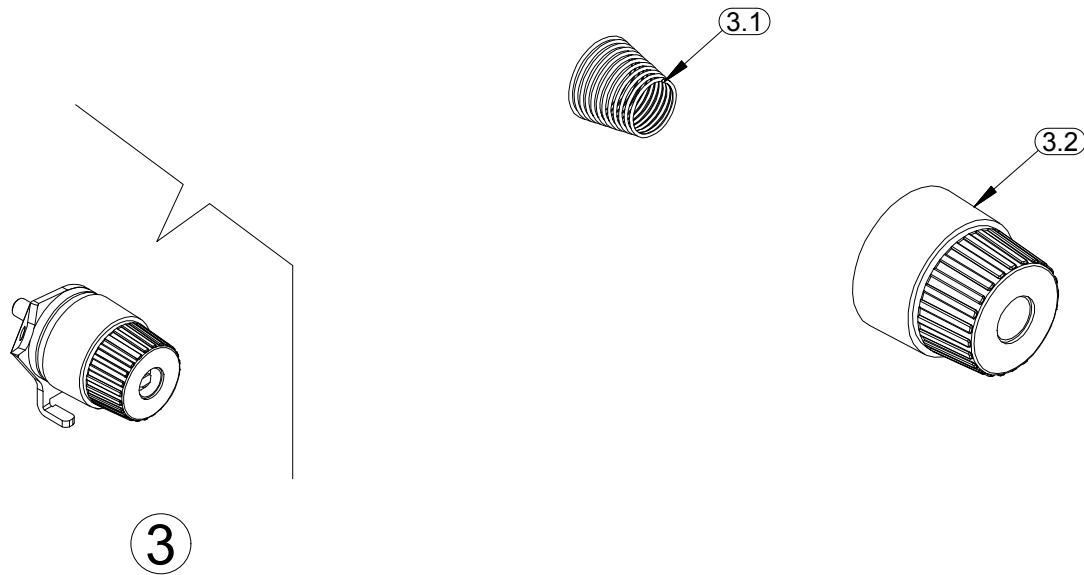
10.THREAD STAND

03100V4

No.	Serial No.	Part name	Remark	No.	Serial No.	Part name	Remark
1	03044114	Thread Plate 12/15					
1	03044115	Thread Plate-20N					
2	03044191	Thread Stand Module -15					
2	03044190	Thread Stand Module -12					
2	03044193	Thread Stand Components-20N					
3	03144260VA	Wire Clipping Adjusting Knob-425C					
3	72211561	Thread Guide Clamp-4N	Parts for 20 needles				
4	03044361	Plastic Thread Tube-Spiral-Transparent					
4	72211624	Threading Pip-Spiral-230	Parts for 20 needles				
5	80211007	Thread Spool Pole					
6	80211008	Plastic Cushion B5					
7	80211009	Foam Cushion					
8	03044152VA	Lifting Stand - Aluminum Alloy					
9	03040127	Upper Cover					
9	03040128	Head Cover-Upper-20N					
10	03040133	Rear Cover					
10	03040138	Head Cover-Back Upper-P-20N					
11	03040134	Installation Base					
12	80221003	Plate Level					
13	03040132	Arm-Rear Cover					
14	03040101A	Machine Head					
S1	80746408	Screw M4*8					
S2	80813306	M3*6 Cylinder Head Hexagon - Stainless					
S3	80813581	M5*14 Hexagon Socket Caphead Screw					

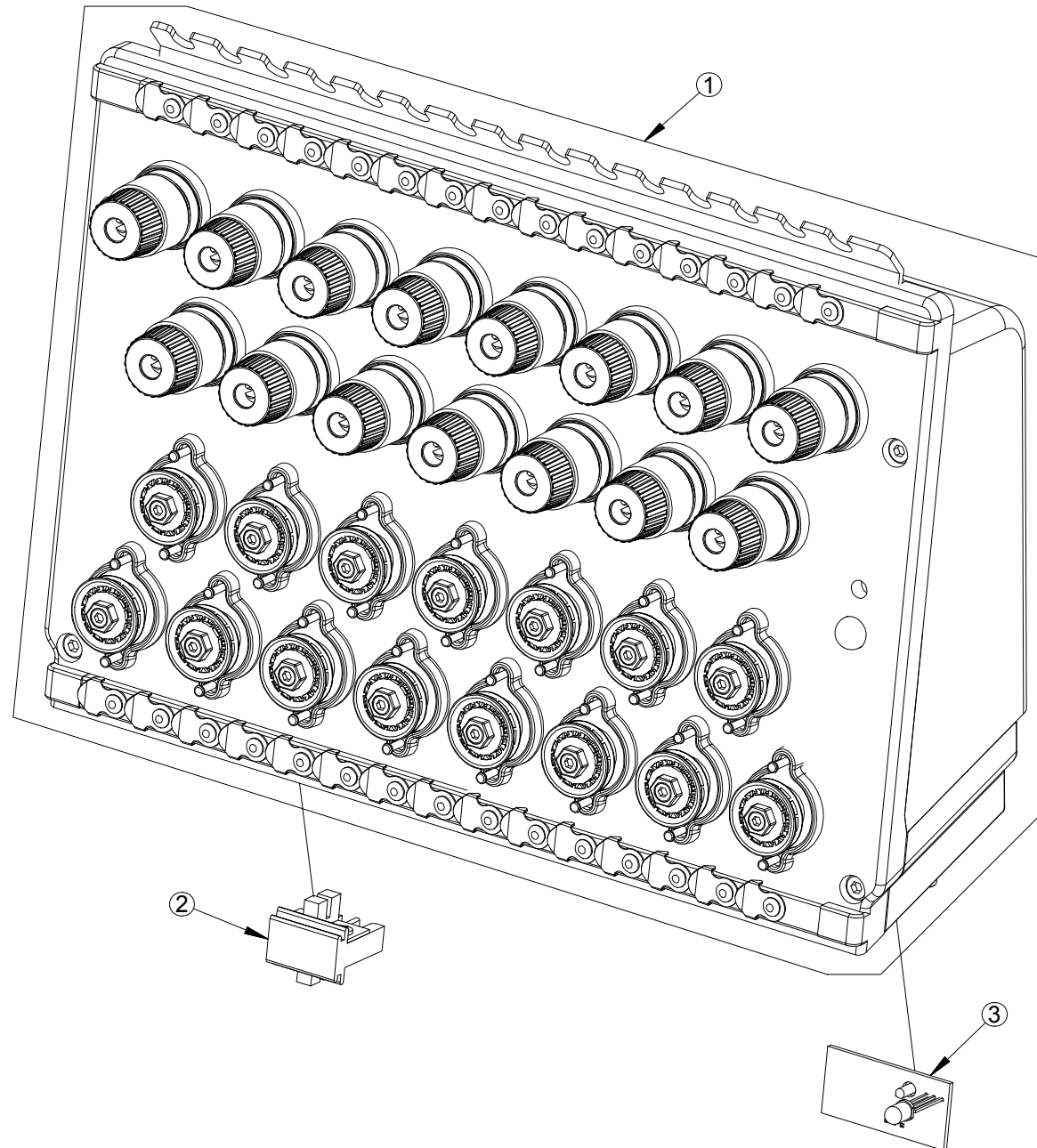
10-1.THREAD STAND

03100V4



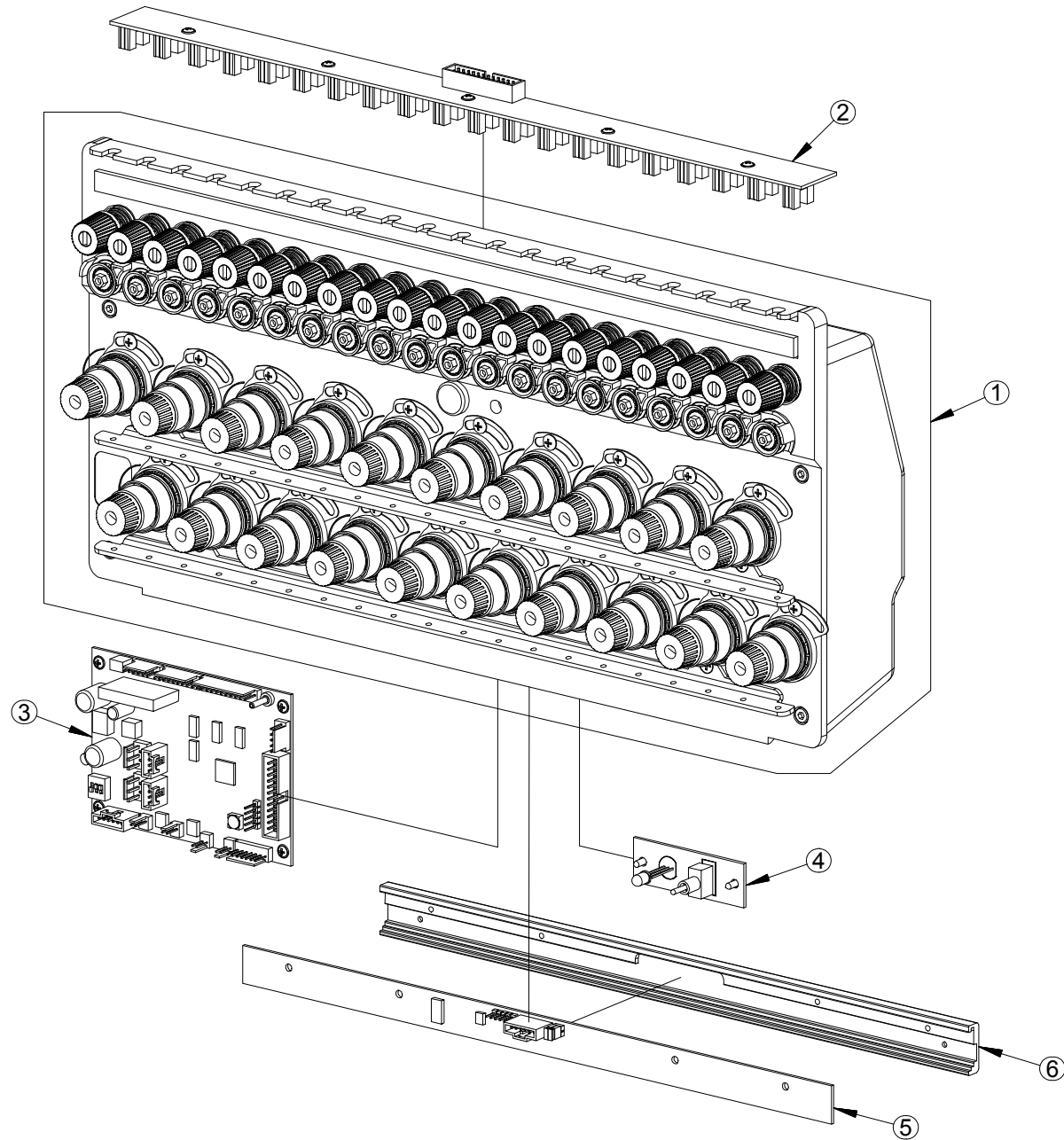
11.THREAD TENSION BASE

03110V4



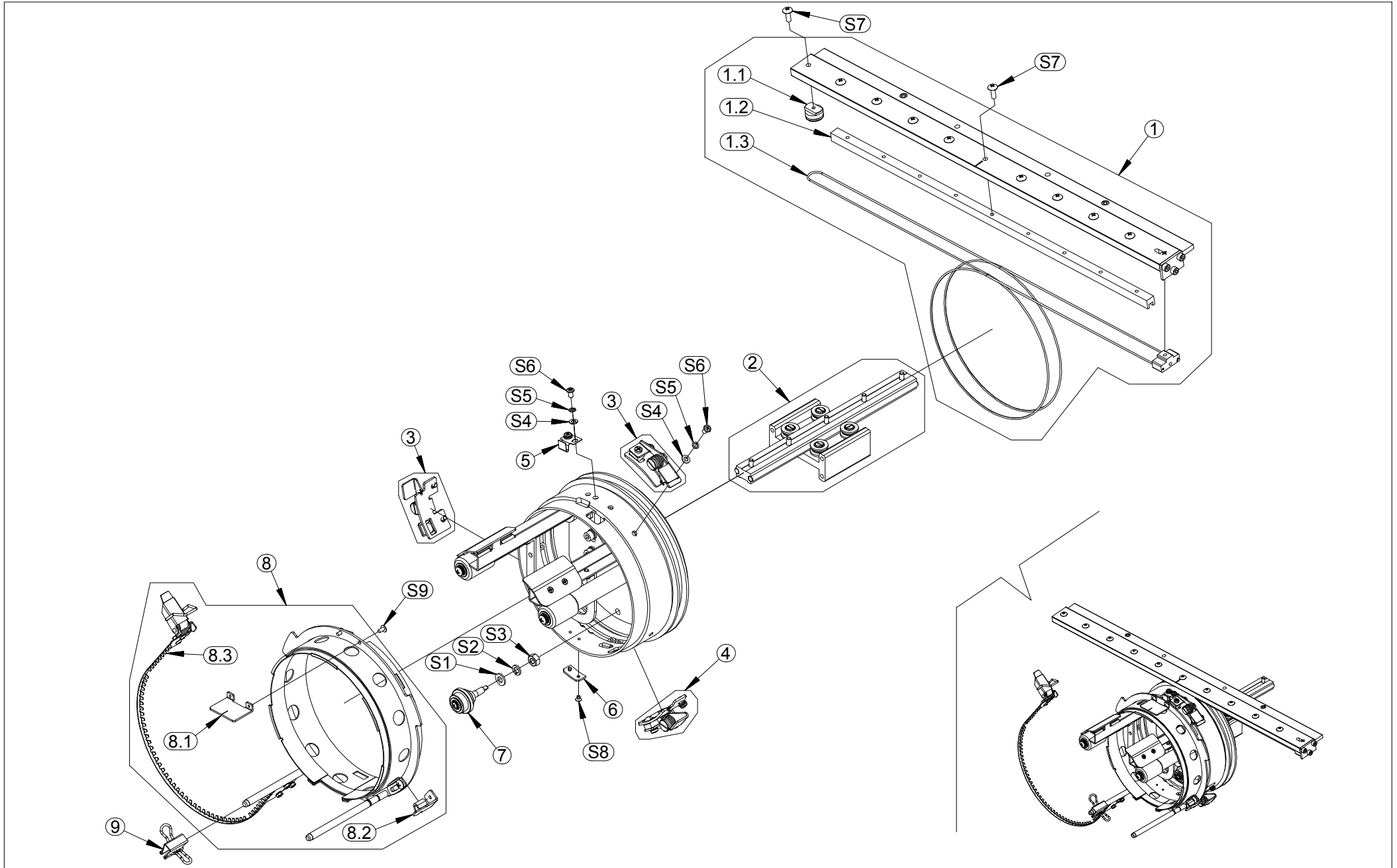
11.THREAD TENSION BASE (20N)

03110V4



12.CAP STAND FRAME

03120V4



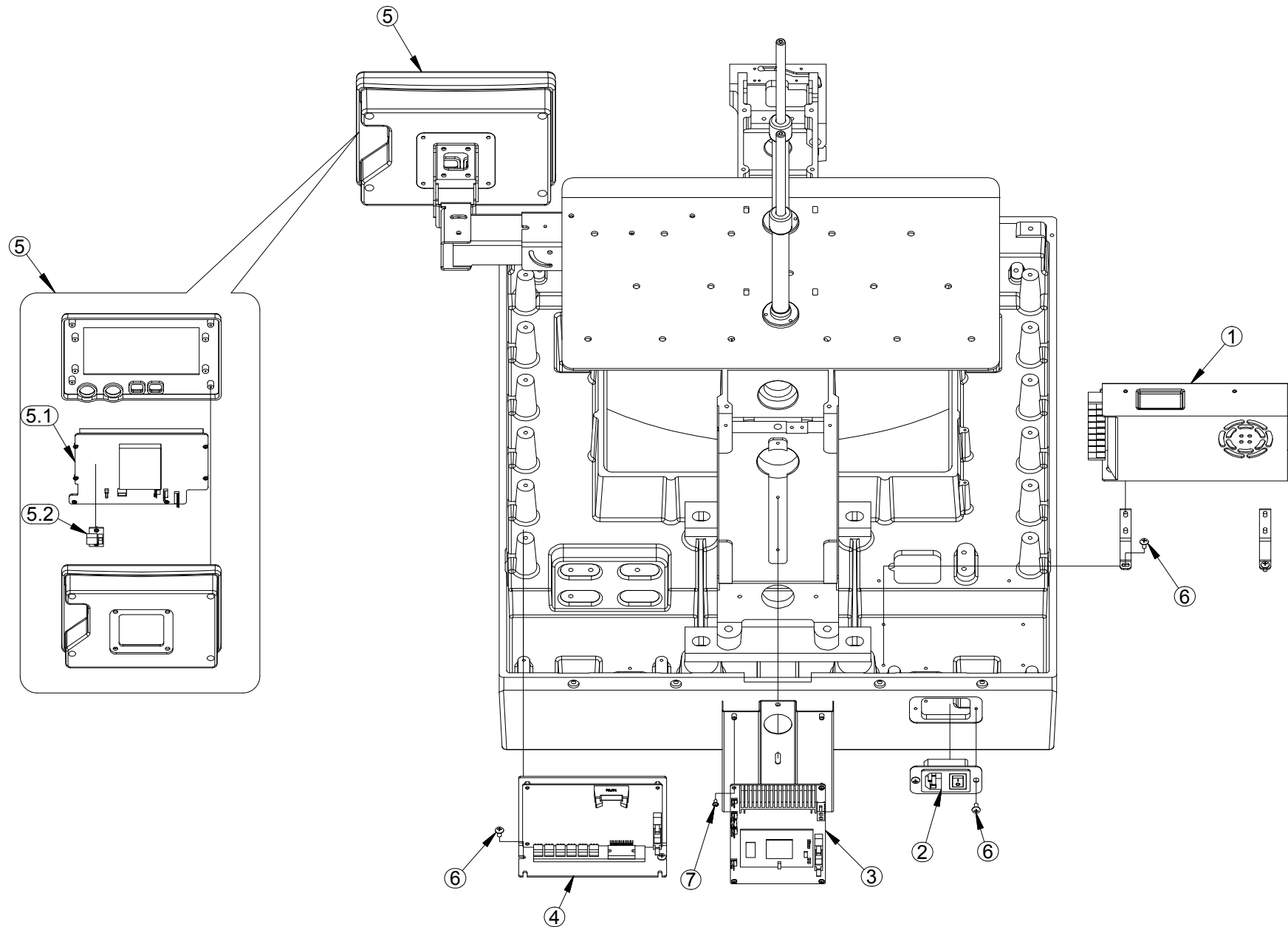
12.CAP STAND FRAME

03120V4

No.	Serial No.	Part name	Remark	No.	Serial No.	Part name	Remark
1	02815042	Hat Rack Drive Junction Plate Kit-P-MT					
1.1	02815008	Steel Wire Wheel					
1.2	02815047	Drive Bar-P-MT					
1.3	02815052	Hat Rack Steel Wire Kit-P-MT					
2	02815039	Linear Guide Rail Set Rkm-220-L					
3	02810270	Clamp Head Components A					
4	02810271	Clamp Head Components B					
5	02810205	Hat Rack Spacing Shrapnel					
6	02810204	Positioning Block					
7	02810161	Eccentric Wheel Components					
8	02811080	Cap Ring Kit -360					
8.1	02811006	Positioning Block					
8.2	02811019	Tapered End Hook					
8.3	02811082VA	Cap Strapping Rod Unit - Single Strap					
9	02811055	Clamp - Cap Ring					
S1	80900601	M6 Plain Washer					
S2	80900618	M6 Spring Washer					
S3	80900628	Nut M6 - Stainless Steel					
S4	80900401	M4 Plain Washer					
S5	80900418	M4 Spring Washer					
S6	80740401	Screw M4*6-Small Head					
S7	80746412	Screw M4*12					
S8	80860328	M3X8 Screw					
S9	80746304	Screw M3*4					

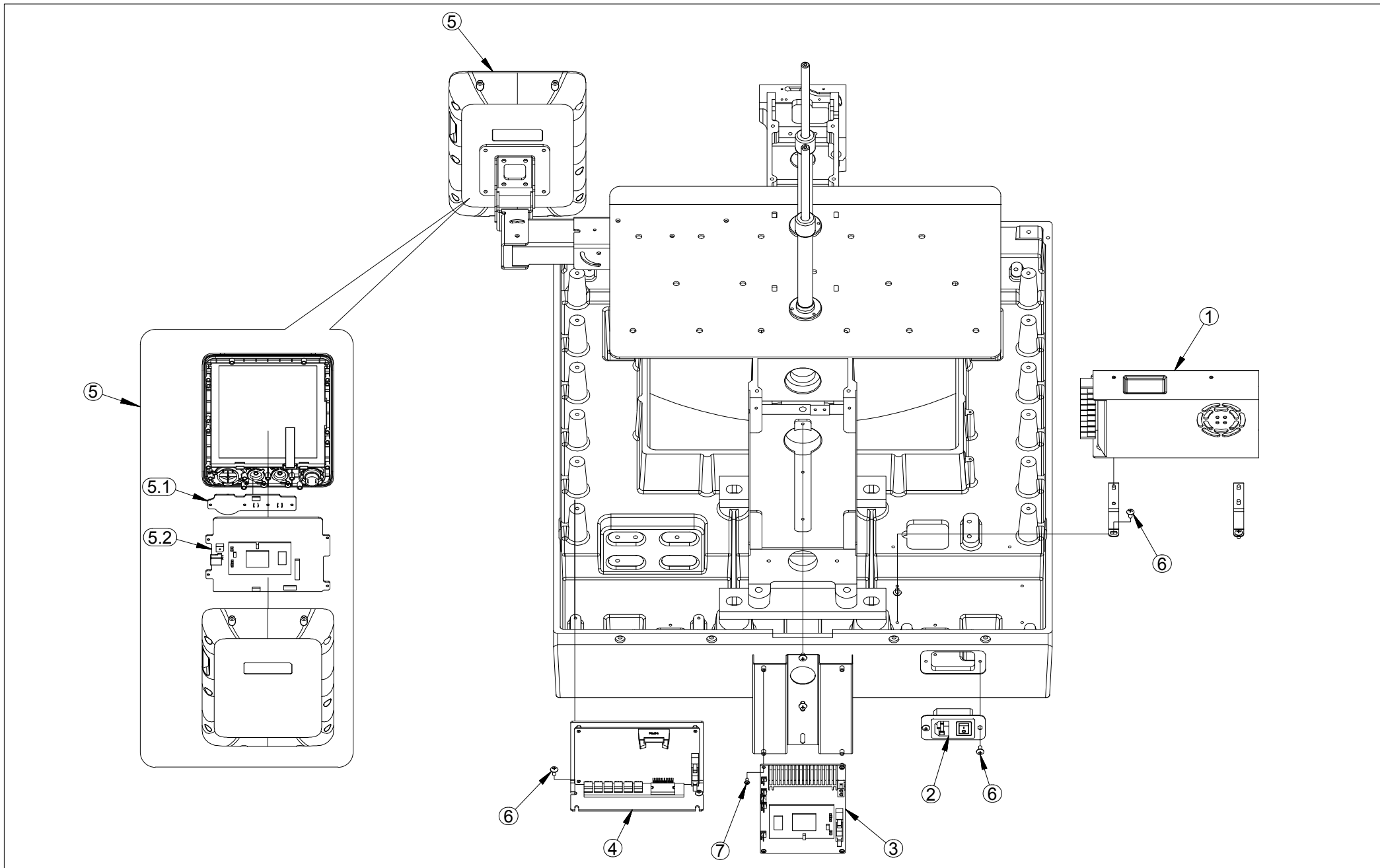
13.CONTROL PANEL - 7 INCH

03130V4



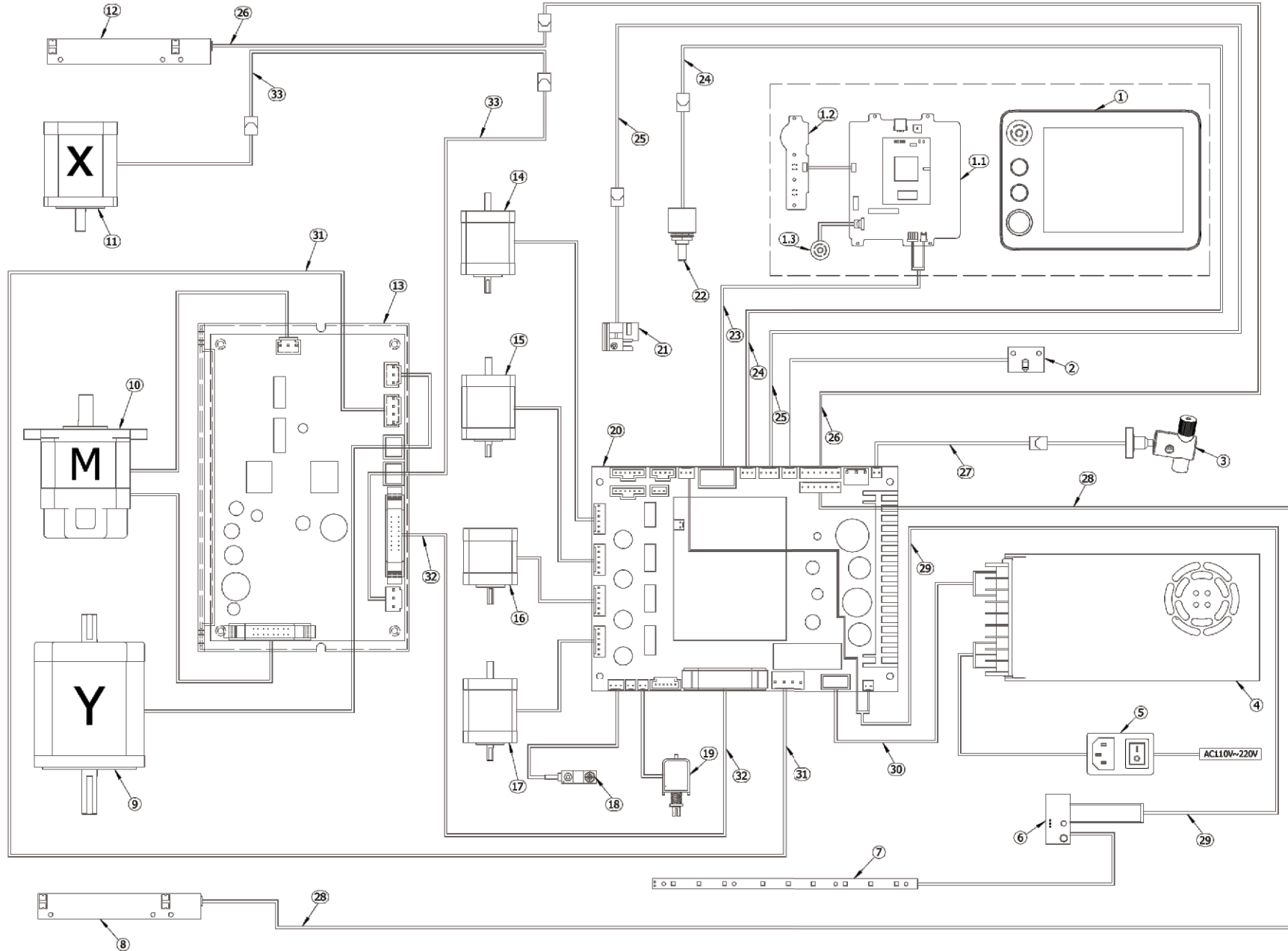
13.CONTROL PANEL - 8 INCH

03130V4



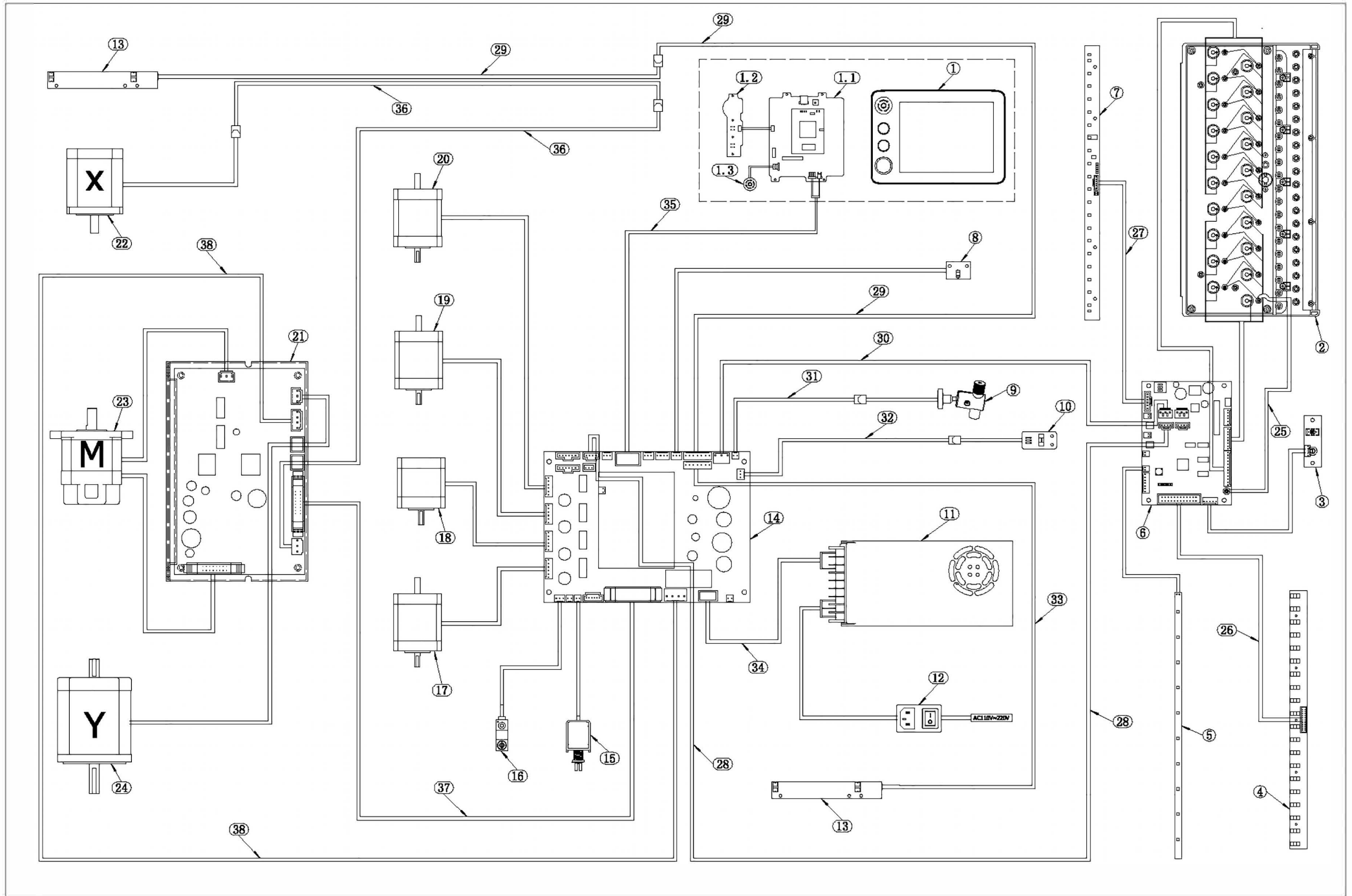
13-1.CONTROL PANEL - 8 INCH

03131V4



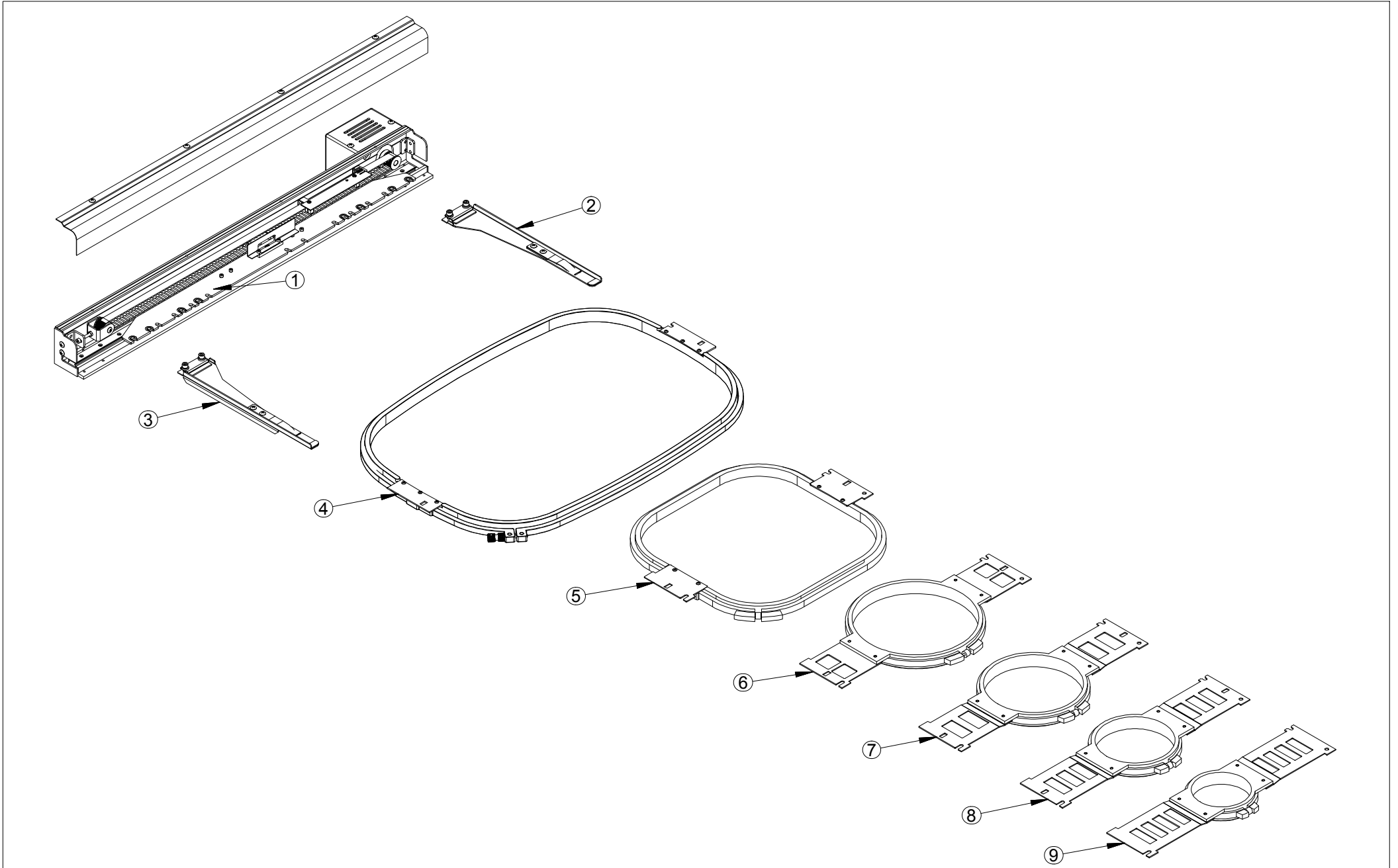
13-2.CONTROL PANEL - 8 INCH (20N)

03131V4



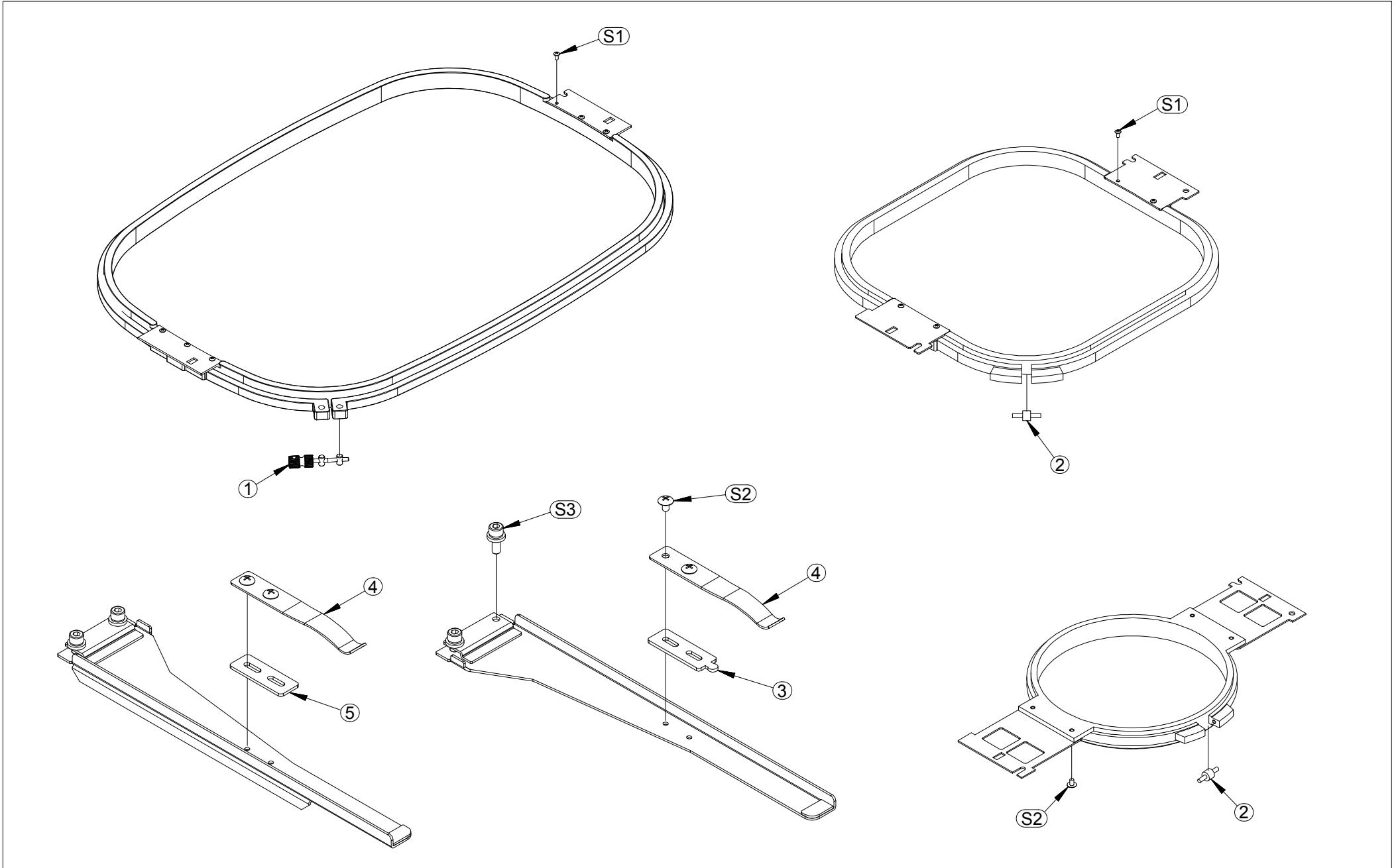
14.FRAME

03140V4



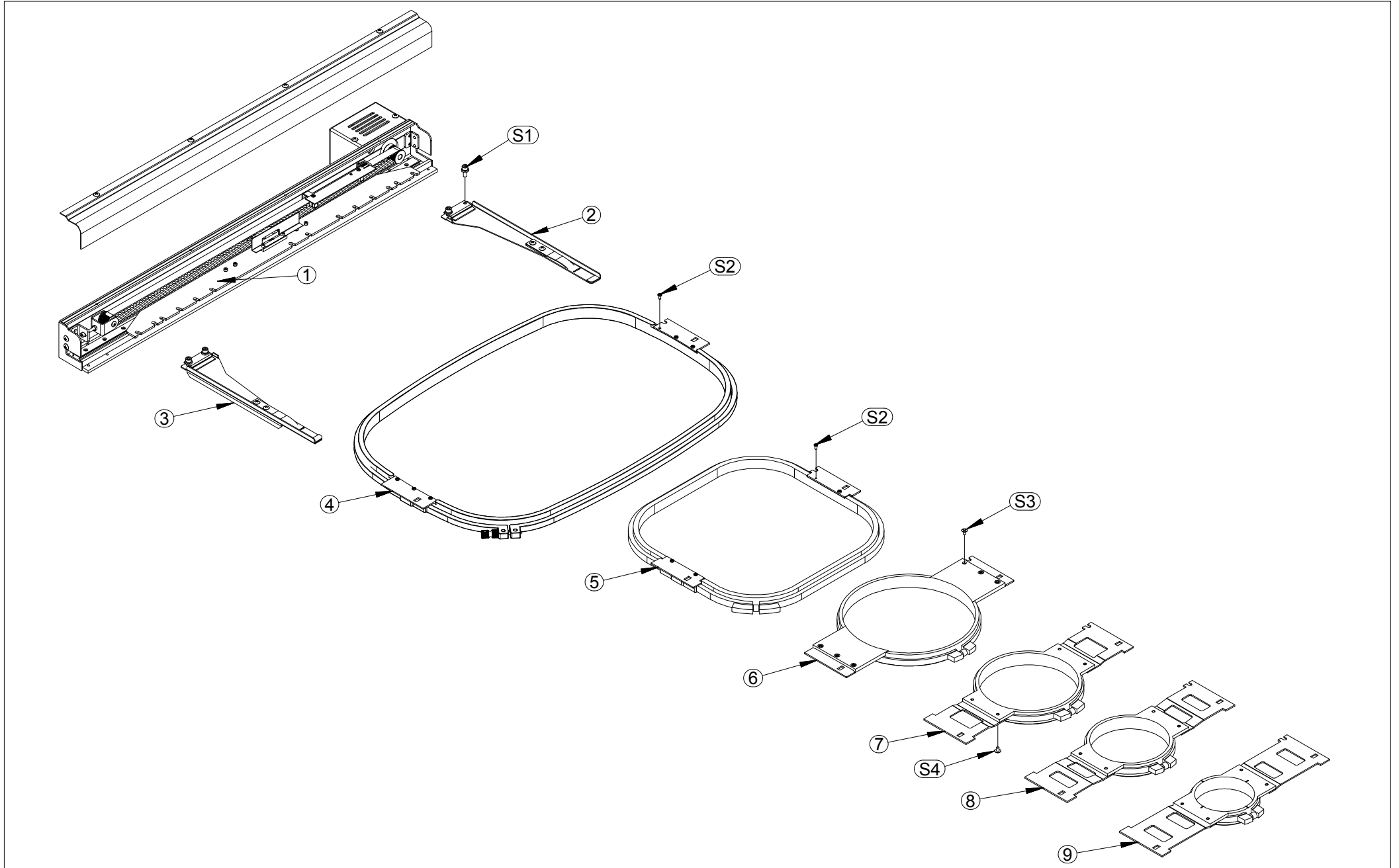
14-1.FRAME

03140V4



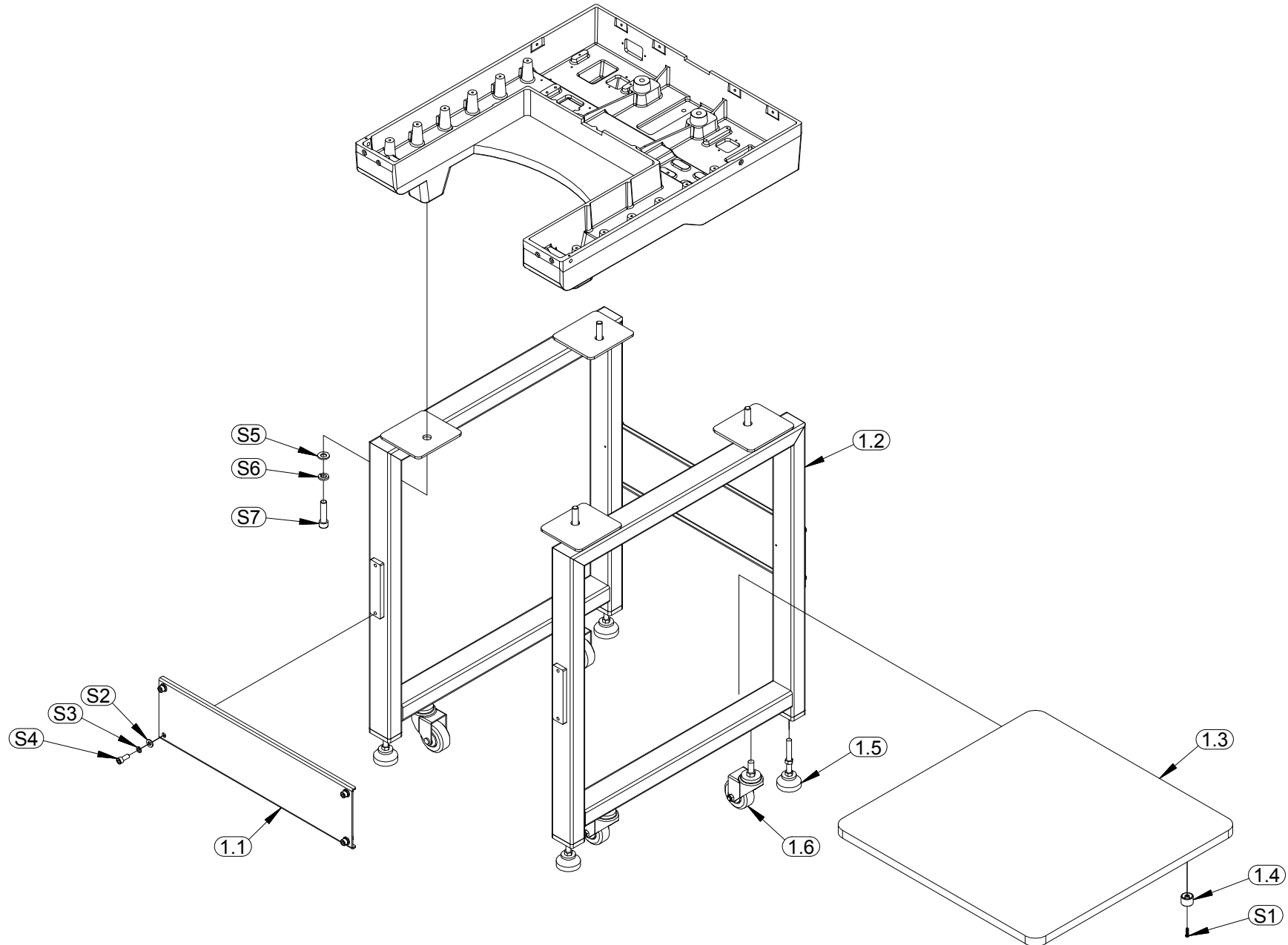
14.FRAME (BEFORE)

03140V3



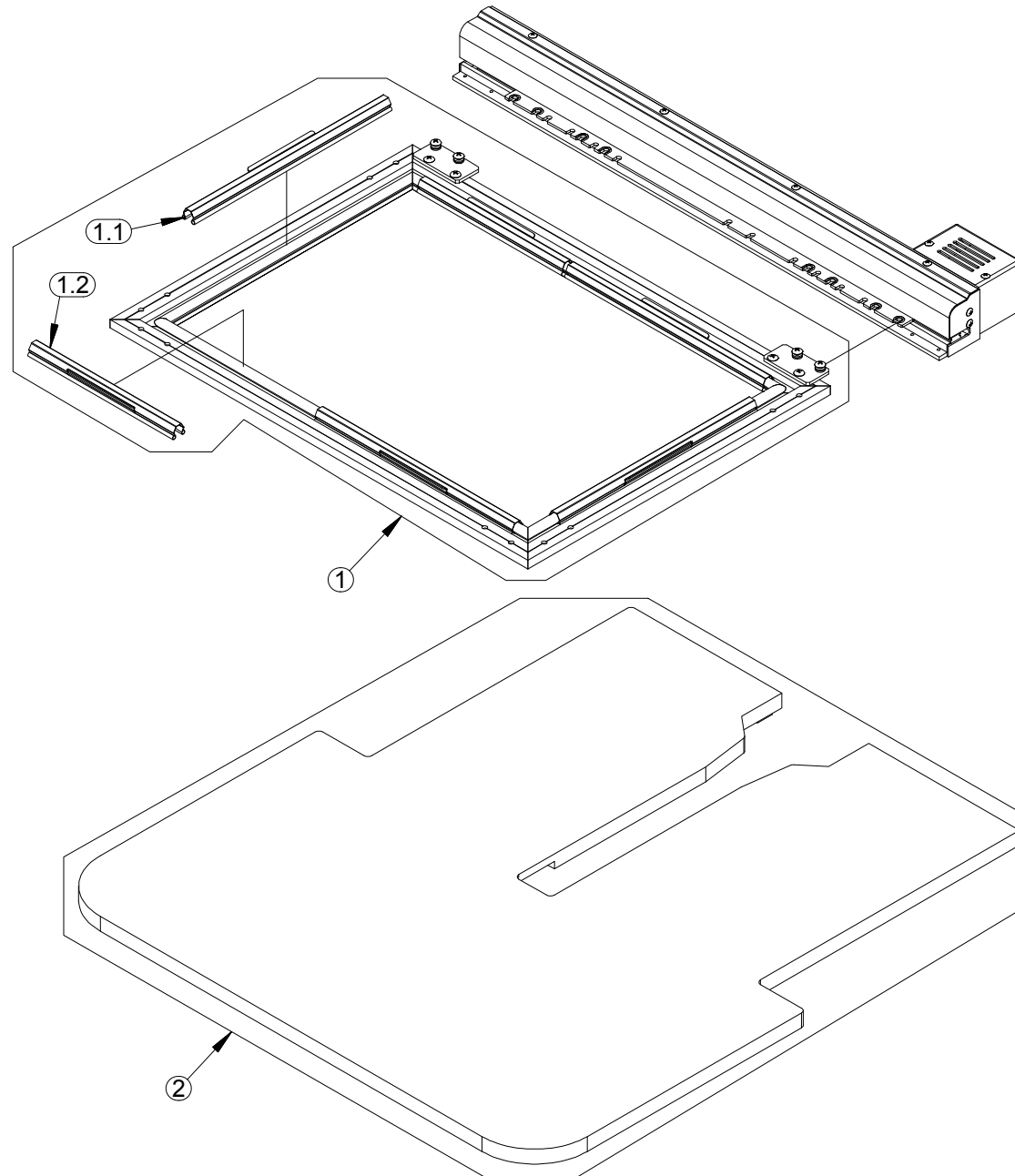
15.STAND AND TABLE

03150V4



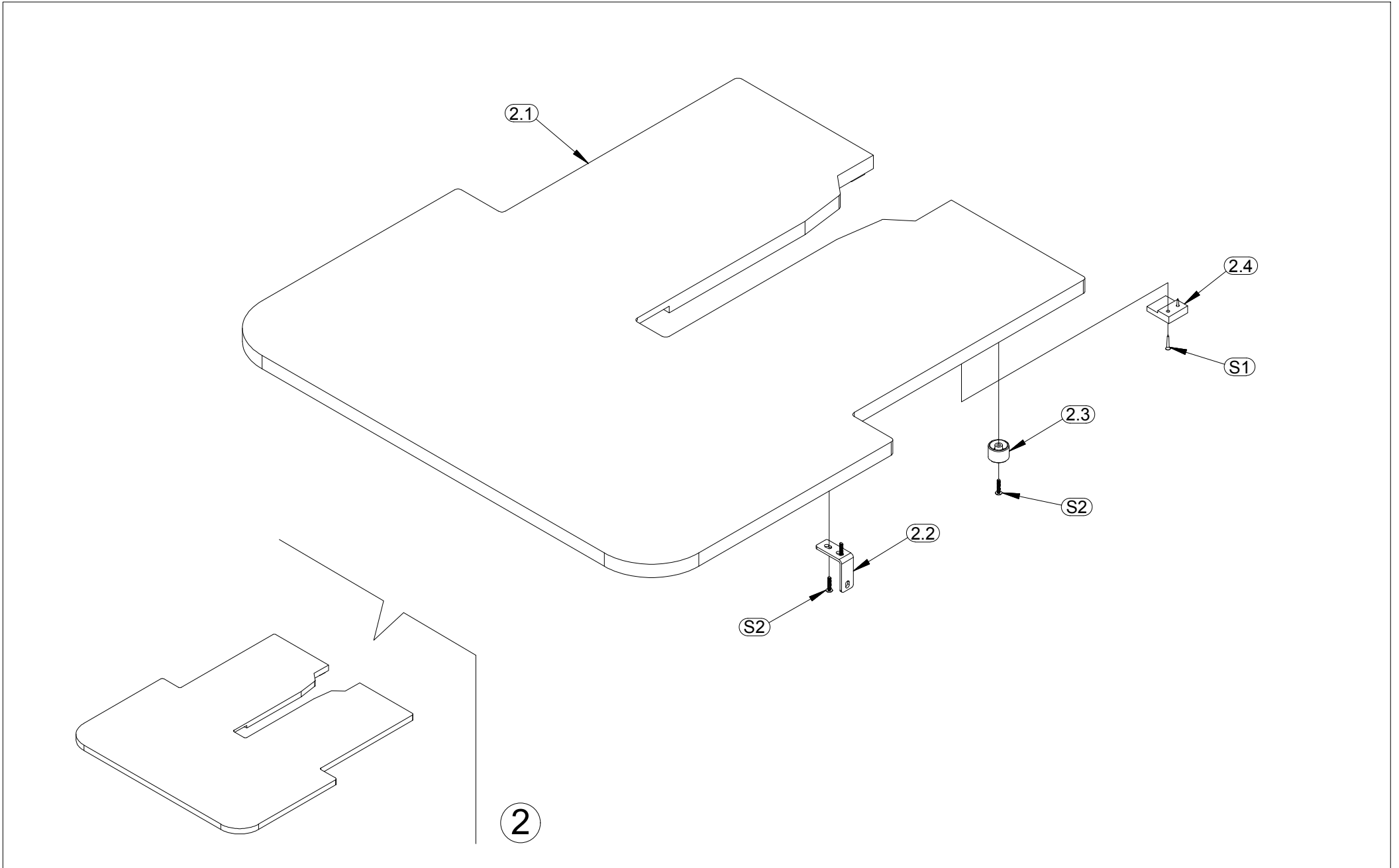
16.EW2214 DEVICE (OPTIONAL)

03160V4



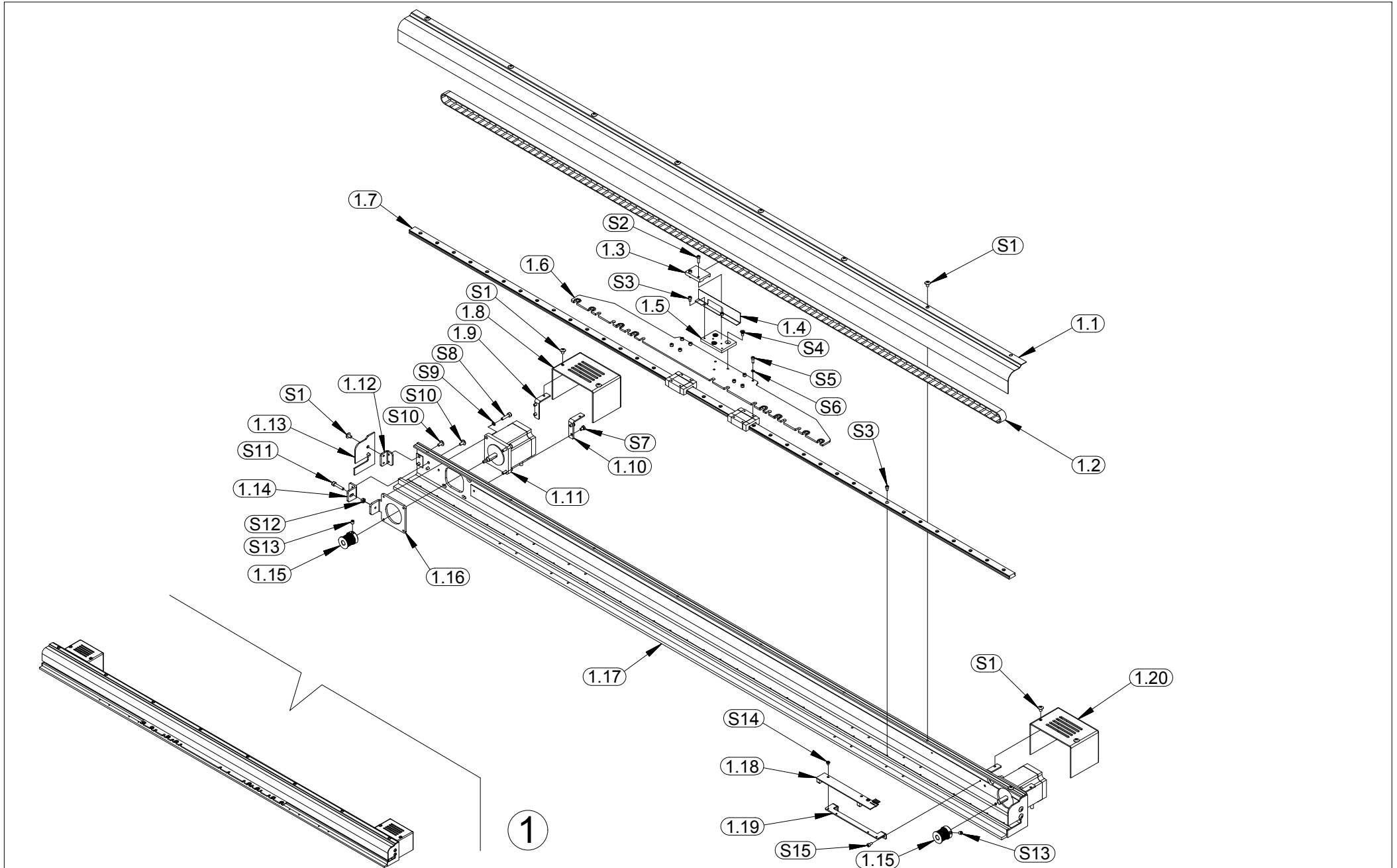
16-1.EW2214 DEVICE (OPTIONAL)

03160V4



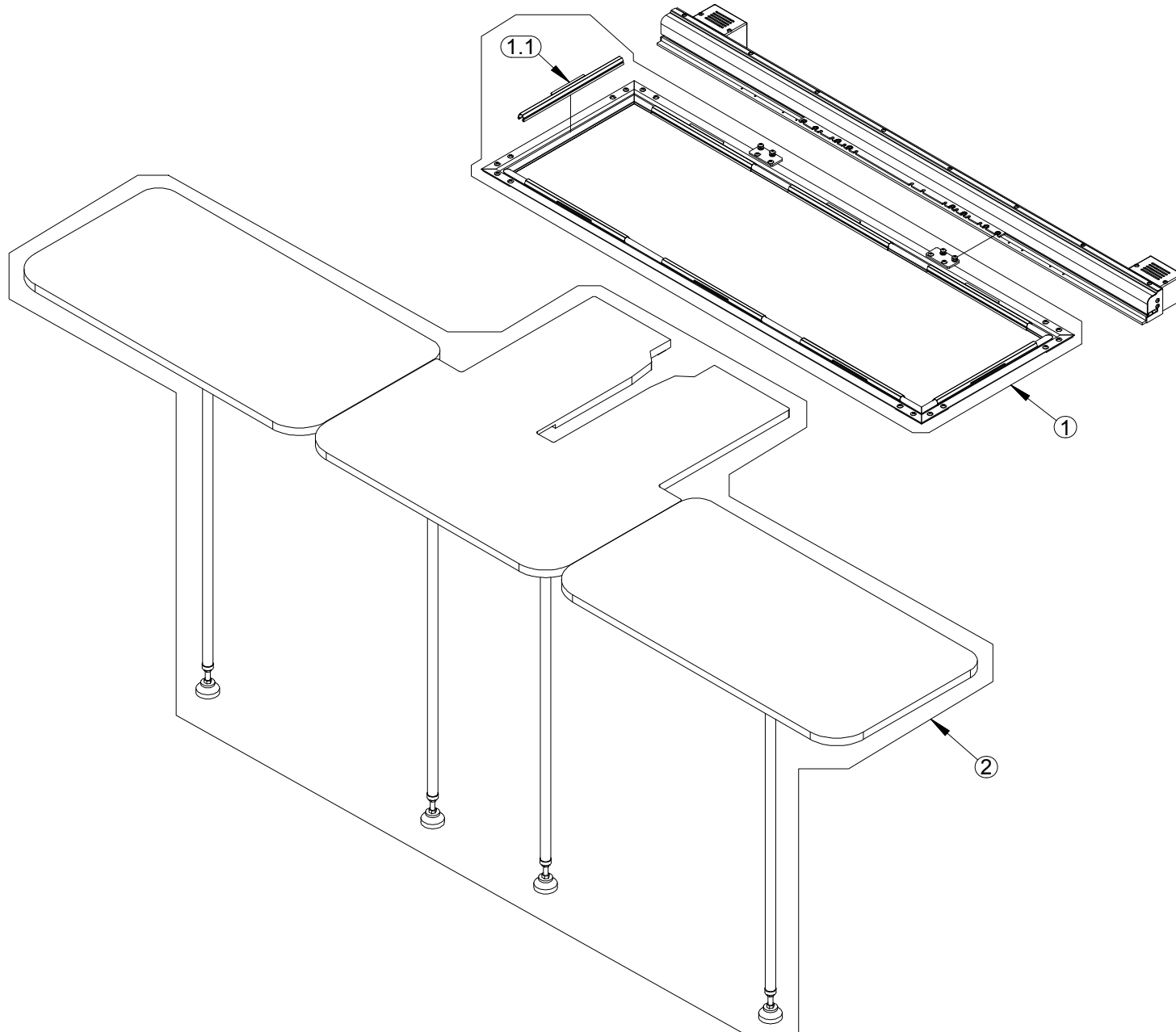
17.EW4814 DEVICE (OPTIONAL)

03170V4



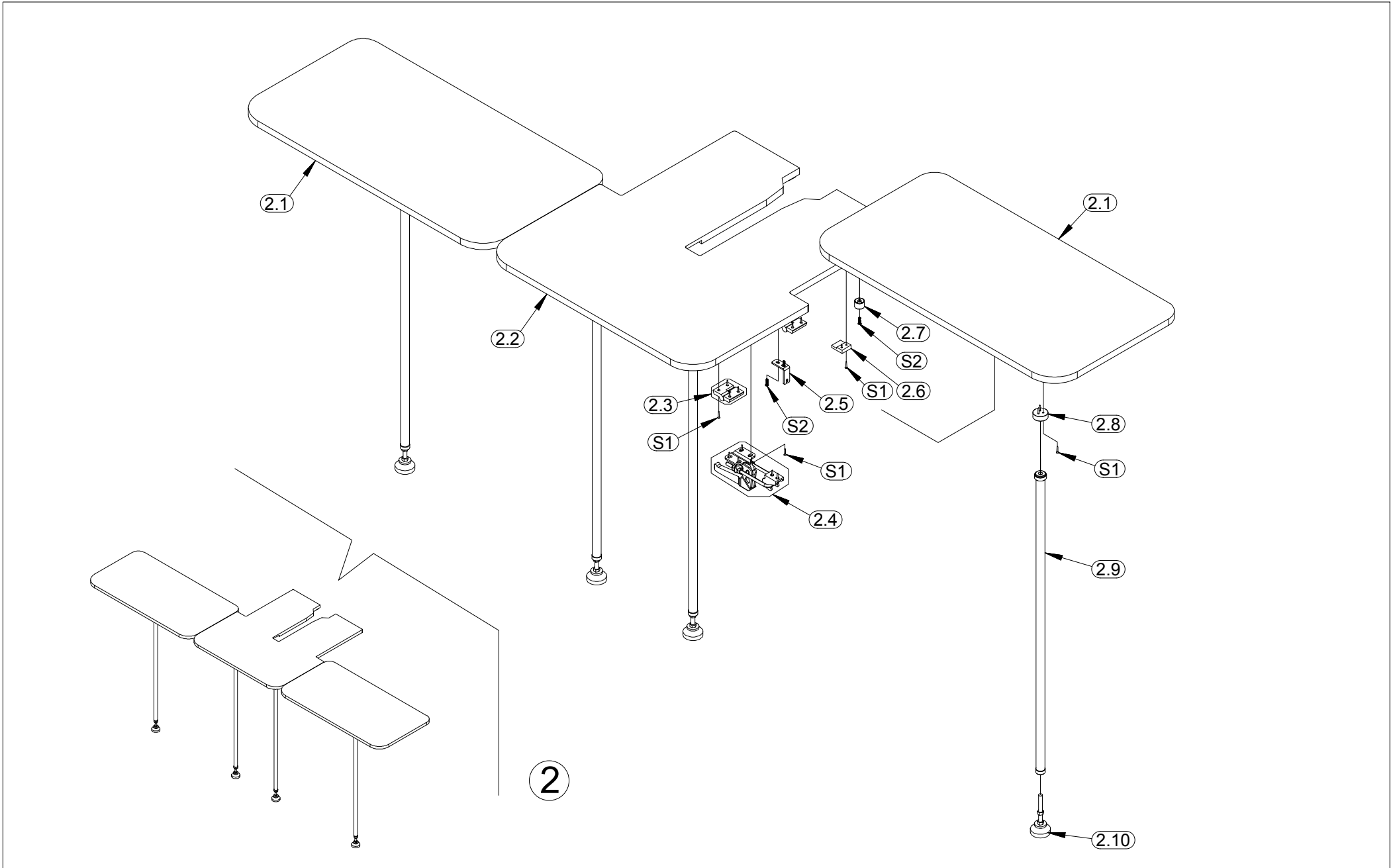
17.EW4814 DEVICE (OPTIONAL)

03171V4



17-1.EW4814 DEVICE (OPTIONAL)

03171V4





Copyright © RiCOMA (HuiZhou) Co., Ltd. All rights reserved.