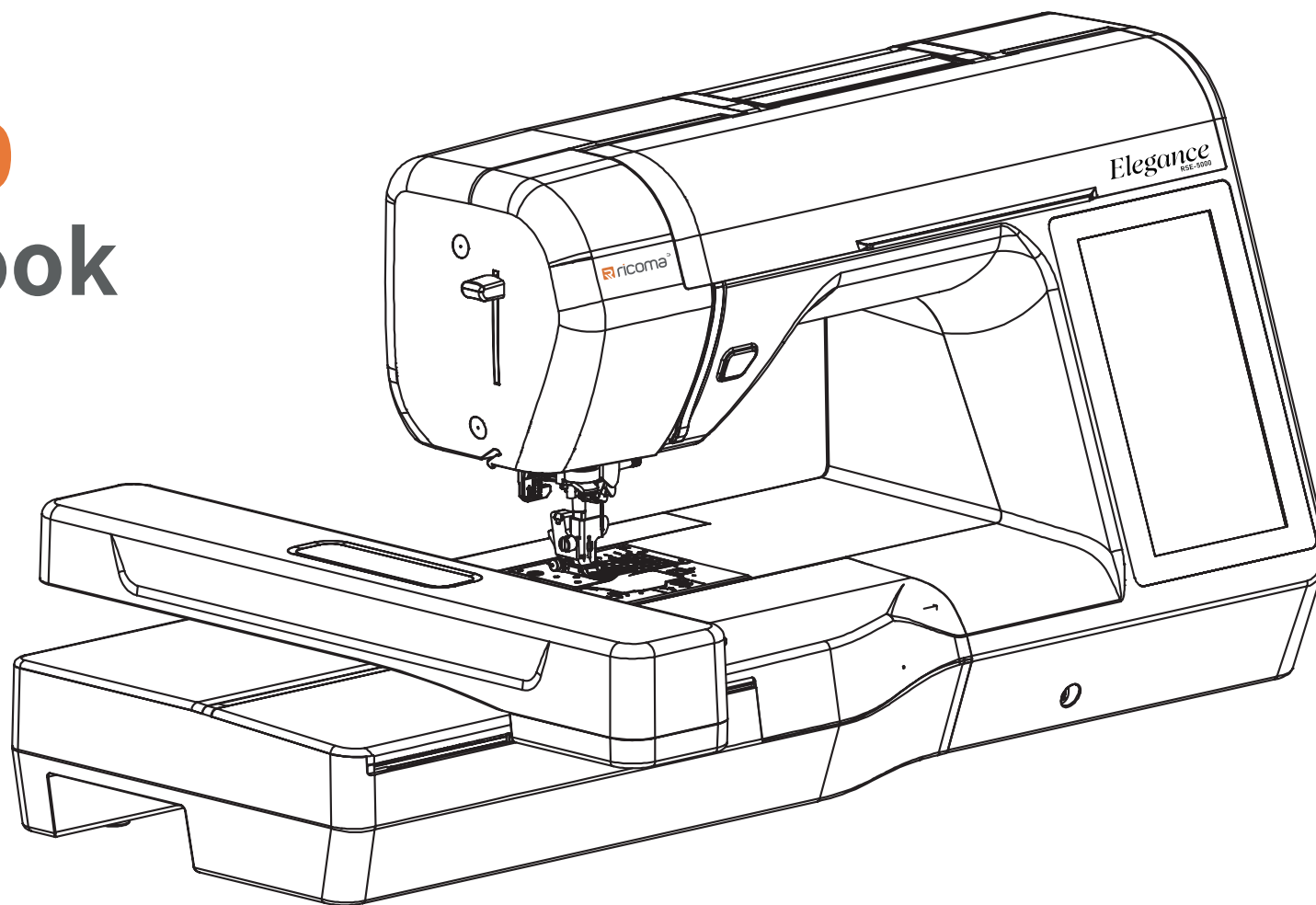


Rse5000 Parts Book

(2026.03.25)

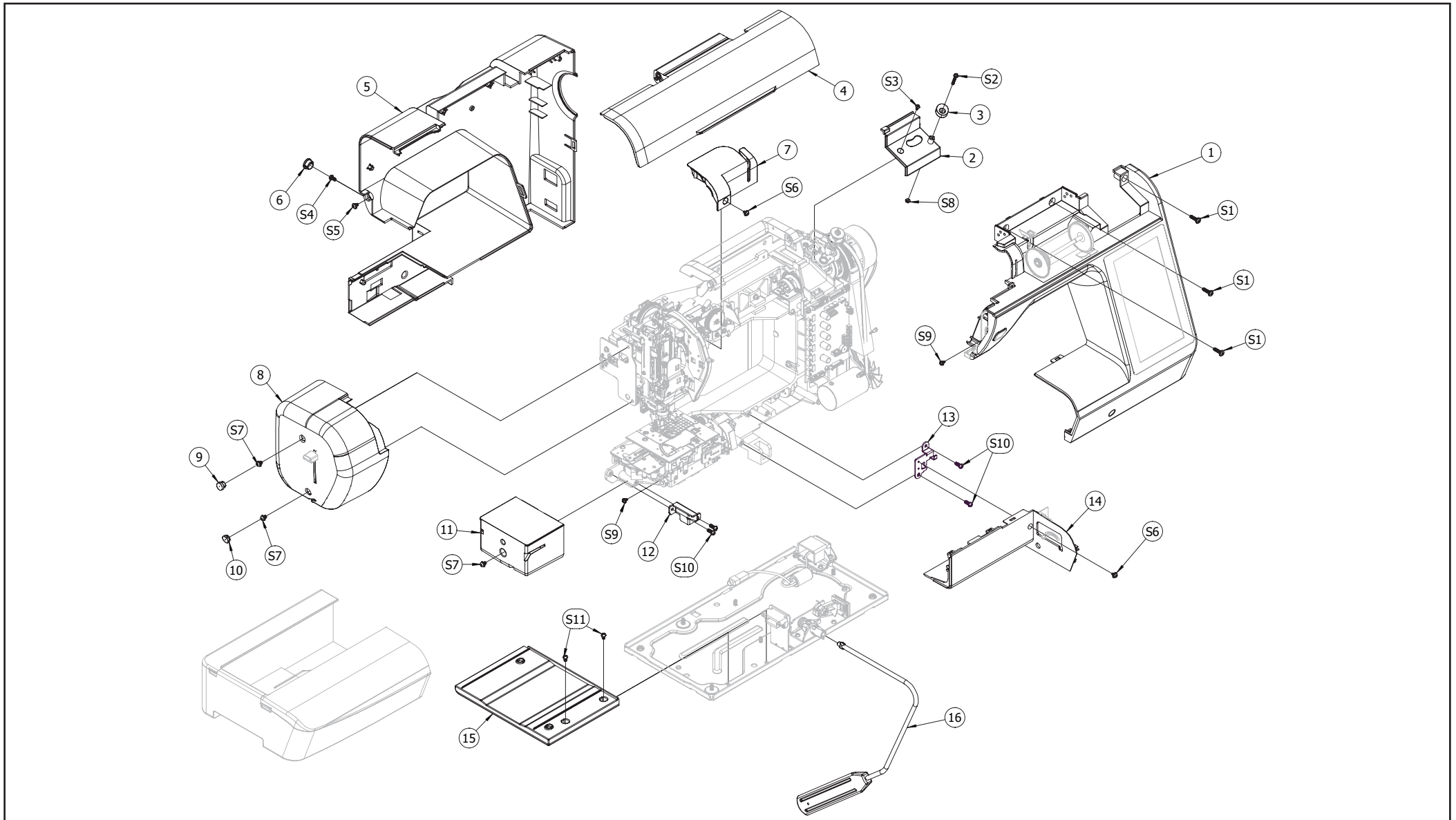


INDEX

Head Cover	01
Rack Section.....	04
Presser Foot Bar.....	08
Needle Holder.....	14
Take-Up Lever Section	20
Machine Head Lamp Cover Fixing Bracket Assembly.....	22
Thread Trimming Device Section.....	24
Needle Plate Assembly	27
Tooth-lifting Switch Assembly.....	30
Horizontal Device Assembly.....	32
Feed Device Assembly	35
Horizontal Rotary Hook Section.....	37
Bobbin Case Limit Assembly	39
Feed Adjusting Motor Assembly	41
Lower Shaft Assembly	43
Main Motor Module	45

Thread Tensioner Section.....	47
Head Base.....	52
Bobbin Winder Assembly	55
Main Shaft Circuit Board Fixing Assembly	57
Switch Power Supply.....	59
Accessory.....	61
Foot Pedal Assembly.....	63
Front Cover.....	65
Lower Side Cover.....	68
Head Lamp Cover assembly.....	70
Embroidery Unit Bottom Case Assembly.....	72
X Base Assembly	74
Embroidery Unit Drive Control Board Assembly	76
Y Guide Rail Main Bracket Assembly.....	78
Frame Lock Assembly.....	81
Frame.....	84
Electric Control Section	86

Head Cover



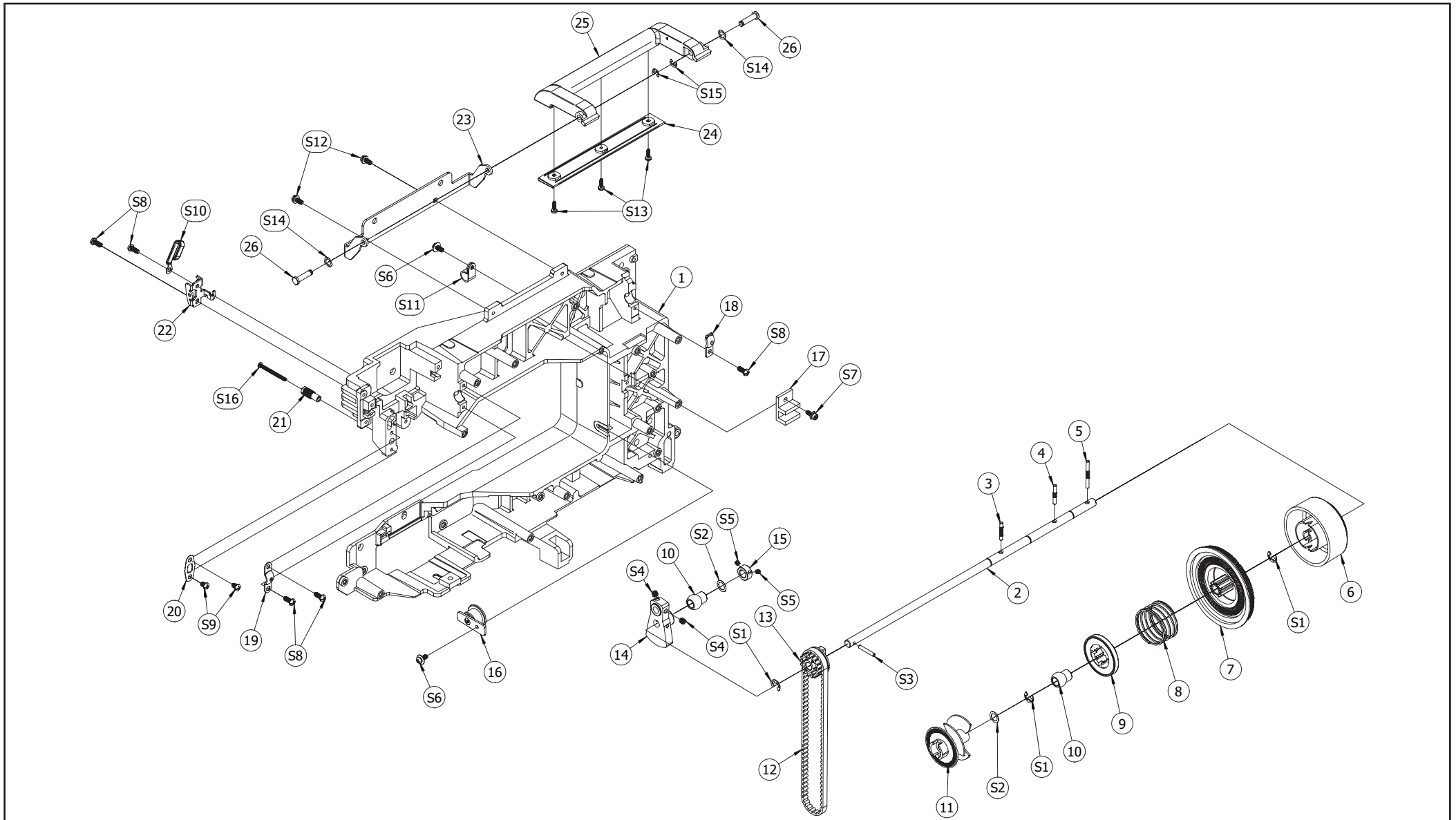
Head Cover

Item	Stock Number	Part Number
1	3501140201	Front cover -5000
2	3501110113	Outer Cover - Bobbin Winder
3	3501110114	Limiter-Bobbin Winder
4	3501150103	Flip Decorative Cover - Head
5	3501150101	Rear Cover -5000
6	3006010241	Hole Plug -EM
7	3501090103	Outer Cover - Thread Tension
8	3501050301	Lamp Cover - Lamp Cover Fixing Bracket Assembly
9	3501050303	Decorative Pad 1-Lamp Cover
10	3501050304	Decorative Pad 2-Lamp Cover
11	3501060117	Cover-Thread Trimming Device
12	3501060106	Cover Fixing Bracket - Trimming
13	3501150204	Fixing Plate - Lower Side Cover
14	3501150201	Lower Side Cover-Head
15	3501100311	Outer Cover - Base Bracket - Head
16	3501100309	Knee Lifter Assembly-5000

Head Cover

Item	Stock Number	Part Number
S1	8070000205	Phillips Head Self-Tapping Screw M4×14
S2	8054000406	Phillips Head Pan Head Combination Screw M3×20
S3	8054000202	Phillips Pan Head Screw M3×6
S4	8051000402	Phillips/Slotted Combination Pan Head Screw M4×8
S5	8054000701	Phillips Head Pan Head Combination Screw M4×6
S6	8054000403	Phillips Head Combination Screw M3×6
S7	8054000501	Phillips Head Combination Screw M4×6
S8	8090000309	Hex Nut M3
S9	8054000601	Phillips Head Pan Head Combination Screw M3×6
S10	8051000403	M4×10 Phillips Head Pan Head Screw
S11	8051000401	M4×6 Phillips Head Pan Head Screw

Rack Section



Rack Section

Item	Stock Number	Part Number
1	3501010101	Machine Body -5000
2	3501010306	Upper Shaft (Machine Body) -5000
3	3501010311	Pin - Upper Shaft Drive Pulley
4	3501010312	Pin - Upper Shaft Driven Pulley
5	3501010313	Pin - Upper Shaft Handwheel
6	3501010310	Handwheel - Upper Shaft -5000
7	3501010303	Pulley - Upper Shaft -5000
8	3501010309	Return Spring - Upper Shaft -5000
9	3501010302	Driven Pulley - Upper Shaft -5000
10	3501010308	Ball Bushing - Upper Shaft -5000
11	3501010304	Encoder Disc - Upper Shaft -5000
12	3501071506	Belt - Upper/Lower Shaft
13	3501010301	Drive Pulley - Upper Shaft -5000
14	3501010307	Take-Up Lever Drive Link - Upper Shaft -5000
15	3501010305	Collar - Upper Shaft -5000
16	3501010201	Tensioner Assembly - Timing Belt

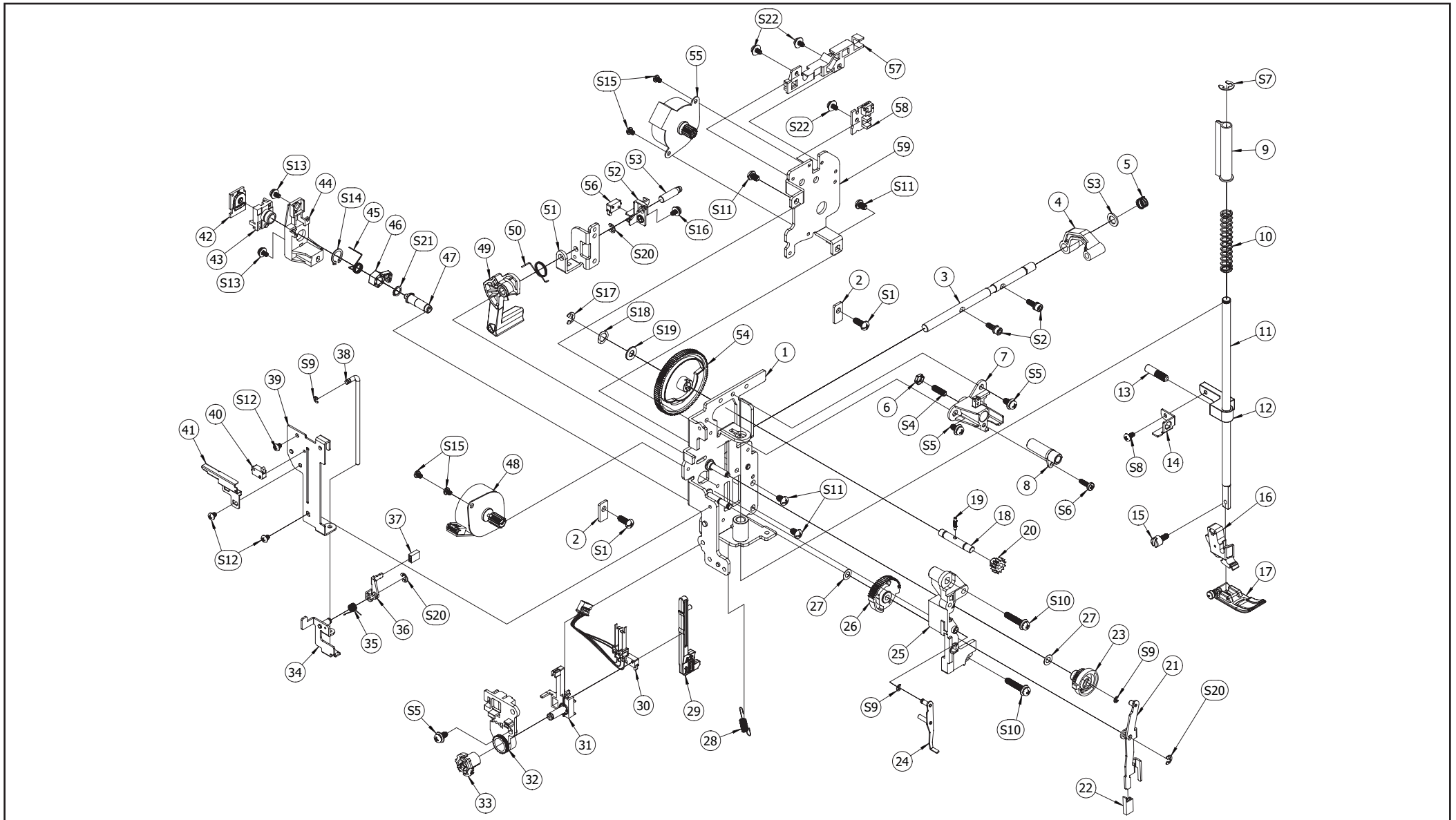
Rack Section

Item	Stock Number	Part Number
17	3501010107	Fixing Block - Upper Shaft
18	3501010106	R Fixing Plate - Ball Bushing
19	3501010105	L Fixing Plate - Ball Bushing
20	3501010102	Adjusting Nut Plate - Presser Foot Module
21	3501010104	Adjusting Outer Screw Sleeve - Presser Foot Module
22	3501010103	Cable Protector - Presser Foot
23	3501010401	Handle Bracket - Machine Body -5000
24	3501010404	Handle Cover - Handle -5000
25	3501010403	Handle - Handle Bracket -5000
26	3501010402	Pin - Handle -5000
S1	8055000101	E-Clip \varnothing 6×0.8
S2	8090000835	M8_12_0.2 Graphite Nylon Washer M8_12_0.2
S3	8068000202	M3×20 Elastic Cotter Pin M3×20
S4	8052000301	M5×5 Set Screw M5×5
S5	8052000201	Set Screw M4×4
S6	8054000504	Phillips Head Combination Screws M4×10

Rack Section

Item	Stock Number	Part Number
S7	8053000201	M4×10 Cylindrical Socket Head Cap Screw
S8	8051000403	M4×10 Phillips Head Pan Head Screw
S9	8051000401	M4×6 Phillips Head Pan Head Screw
S10	8039000243	Fixing Clip -CW4-32mm
S11	8039000502	Cable Clip Screw Hole 4 - Inner Dia. 10mm
S12	8051000602	Phillips and Flathead Pan Head Combination Screw M4×10
S13	8070000204	Phillips Round Head Self-Tapping Screw M3×10
S14	8090000505	Wave Washer M5×10×0.25
S15	8055000105	E-Clip ø 4×0.6
S16	8081000328	Hex Socket Head Cap Screw M3×35

Presser Foot Bar



Presser Foot Bar

Item	Stock Number	Part Number
1	3501020101	Main Bracket Assembly - Presser Bar Module
2	3501020122	Pressing Plate - Fixing Shaft - Presser Foot Module
3	3501020121	Fixing shaft - Presser Foot Module
4	3501040204	Thread Take-Up Link - Presser Foot Module
5	3501040205	Spring - Presser Foot Module
6	3501070408	M4 Nut - Anti-Loosening
7	3501020105	Fixing Base - Needle Bar Stop Shaft
8	3501020106	Stop Shaft Bushing - Fixing Base - Needle Bar Stop Shaft
9	3501020108	Rack Guide Bushing - Presser Foot Bar
10	3501020117	Spring - Presser Foot Bar
11	3501020116	Presser Foot Bar - Presser Module -5000
12	3501020114	Presser Foot Bar Assembly
13	3501020115	Special Screw
14	3501020113	Pressure Adjustment Detection Bracket - Presser Foot Bar
15	3560010132	Presser Foot Screw - Presser Foot Bar
16	3560010113	Presser Foot Holder - Sewing

Presser Foot Bar

Item	Stock Number	Part Number
17	3560010114	J Presser Foot Assembly - Sewing
18	3501020502	Shaft - Presser Lift Motor Bracket Assembly
19	3501020503	Pin - Presser Lift Motor Bracket Assembly
20	3501020504	Pinion - Presser Lift Motor Bracket Assembly
21	3501020103	Drive Bracket Subassembly - Needle Swing
22	3501020104	Plastic Sleeve - Needle Swing Drive Bracket
23	3501020111	Swing Gear - Presser Foot Module
24	3501020102	Drive Lever Subassembly - Jumper
25	3501020109	Jumper Base - Presser Foot Module
26	3501020110	Jumper Gear - Presser Foot Module
27	3501020112	Copper Washer M4xφ8×0.2 - Special
28	3501020123	Tension Spring - Presser Foot Module
29	3501020704	Buttonhole Pull Rod - Buttonhole Device Assembly
30	3501021102	Buttonhole Signal Cable 5P - Buttonhole Device Assembly
31	3501020703	Buttonhole Rotator - Buttonhole Device Assembly
32	3501020701	Buttonhole Bracket - Buttonhole Device Assembly

Presser Foot Bar

Item	Stock Number	Part Number
33	3501020702	Buttonhole Turner - Buttonhole Device Assembly
34	3501020204	Slider Bracket Subassembly - Threader Guide Assembly
35	3501020206	Spring-6 - Threader Guide Assembly
36	3501020202	Drive Bracket - Threader Guide Assembly
37	3501020207	Rubber Bushing - Drive Bracket
38	3501020205	Guide Shaft - Threader Guide Assembly
39	3501020201	Guide Bracket - Threader Guide Assembly
40	3501020208	Signal Cable 2P - Threader
41	3501020203	Switch Bracket - Threader Guide Assembly
42	3501020804	Height Detection Plate - Presser Lift Height Detection Assembly
43	3501020806	Rotation Fixing Body - Presser Lift Height Detection Assembly
44	3501020801	Height Detection Fixing Bracket - Presser Foot Module
45	3501020803	Spring - Presser Lift Height Detection Assembly
46	3501020802	Driver - Presser Lift Height Detection Assembly
47	3501020807	Rotation Control Shaft - Presser Lift Height Detection Assembly
48	3501021001	Swing Motor - Presser Foot Module

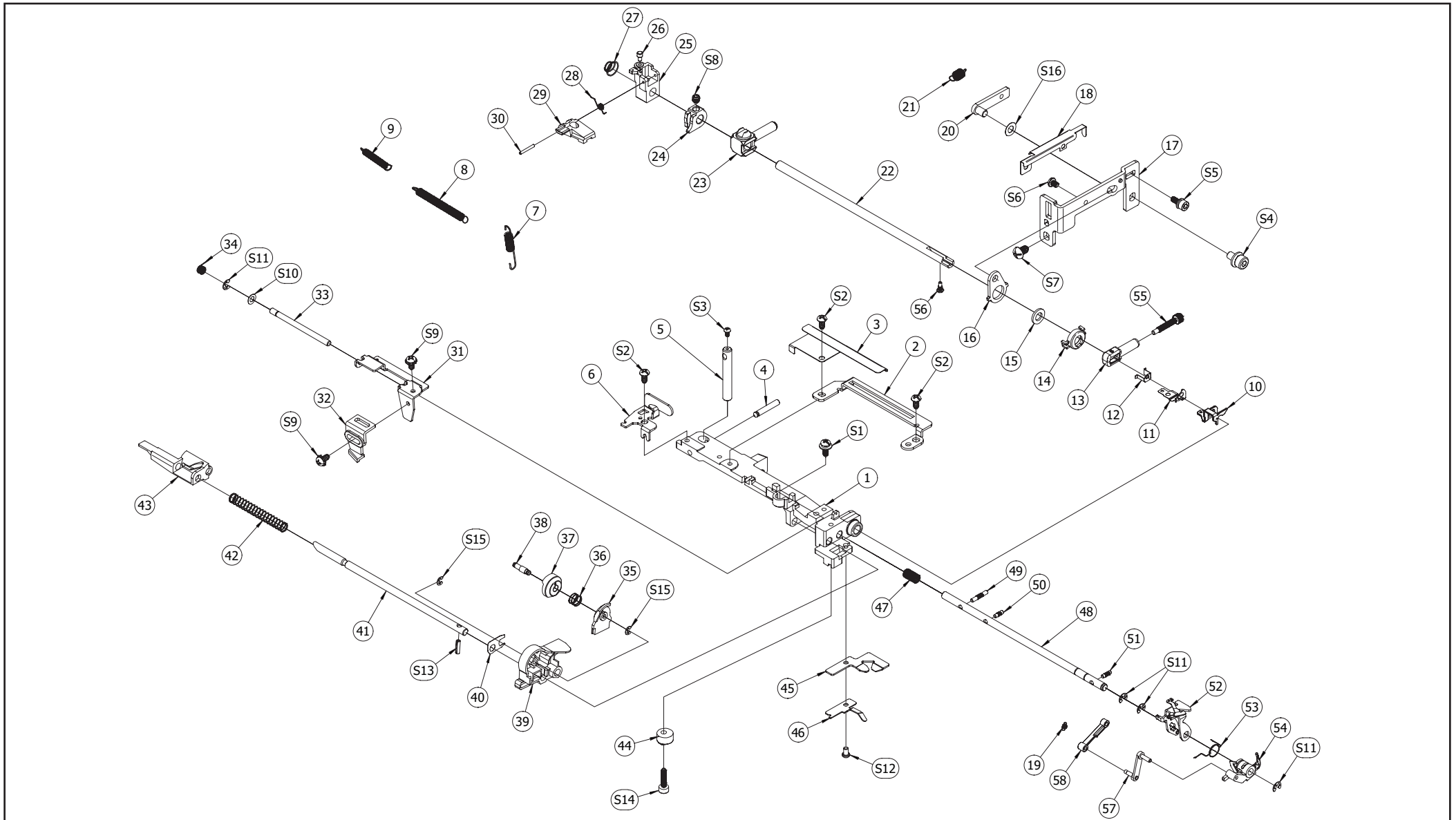
Presser Foot Bar

Item	Stock Number	Part Number
49	3501020903	Wrench - Presser Lifting Wrench Assembly
50	3501020905	Return Spring - Presser Lifting Wrench Assembly
51	3501020901	Presser Lifting Wrench Lever Bracket - Presser Lifting Wrench Assembly
52	3501020904	Presser Lifting Detection Bracket - Presser Lifting Wrench Assembly
53	3501020902	Pin - Presser Lifting Wrench Assembly
54	3501020505	Large Gear - Presser Lifting Motor Bracket Assembly
55	3501020601	Presser Lifting Motor-Presser Lifting Motor Bracket Assembly
56	3501021401	Presser Lifting Wrench Detection Cable 2P - Presser Lifting Wrench Assembly
57	3501020506	Cable Support Bracket - Presser Lifting Motor Bracket Assembly
58	3501020507	Detection Plate with Cable Harness - Presser Lifting Motor Bracket Assembly
59	3501020501	Motor Bracket - Presser Lifting Motor Bracket Assembly
S1	8051000403	M4×10 Phillips Head Pan Head Screw
S2	8053000102	M3×10 Cylindrical Head Socket Head Cap Screw
S3	8090000609	Flat Washer M6×10×1
S4	8052000202	Set Screw M4×12
S5	8054000502	Phillips Head Combination Screws M4×8

Presser Foot Bar

Item	Stock Number	Part Number
S6	8070000204	Cross Round Head Self-Tapping Screw M3×10
S7	8055000102	E-Clip ø 5×0.6
S8	8054000202	Cross Pan Head Screw M3×6
S9	8055000103	E-Clip ø 2×0.4
S10	8054000506	Cross Pan Head Combination Screw M4×20
S11	8051000401	Cross/Slotted Pan Head Screw M4×6
S12	8054000201	Cross Pan Head Screw M3×4
S13	8054000401	Cross Pan Head Combination Screw M3×6
S14	8055000201	C-Clip ø 9×0.7
S15	8051000301	Cross/Slotted Pan Head Screw M3×4
S16	8054000402	Cross Pan Head Combination Screw M3×6
S17	8055000105	E-Clip ø 4×0.6
S18	8090000505	Wave Washer M5×10×0.25
S19	8090000507	Flat Washer M5×10×1
S20	8055000104	E-Clip ø 3×0.6
S21	8055000202	C-Clip ø 6×0.5
S22	8054000403	Cross Pan Head Combination Screw M3×6

Needle Holder



Needle Holder

Item	Stock Number	Part Number
1	3501030101	Needle Bar Support - Needle Holder Assembly
2	3501030105	Separation Guide Bracket - Needle Bar Support
3	3501030106	Spring Guard Plate- Needle Bar Support
4	3501030111	Pin - Needle Bar Support
5	3501030112	Stop Shaft - Needle Bar Support
6	3501030109	Pin Limit Bracket - Needle Bar Support
7	3501030121	Spring - Needle Bar Assembly (Upper)
8	3501030124	Spring - Needle Bar Return
9	3501030122	Spring - Threading Presser Bar
10	3501030404	Needle Thread Guard Bracket - Needle Bar
11	3501030405	Thread Guard Plate - Needle Bar
12	3501030403	Needle Limiter Plate - Needle Bar
13	3501030401	Needle Bar Body - Needle Bar
14	3501020402	Plate Cover - Lower Connecting Plate - Needle Holder Assembly
15	3501020403	Cotton Washer - Plate Cover - Lower Connecting Plate
16	3501020401	Lower Connecting Plate - Needle Holder Assembly

Needle Holder

Item	Stock Number	Part Number
17	3501020301	Needle Holder Fixing Bracket - Lower Thread Guard Assembly
18	3501020302	Thread Guard Plate - Needle Holder Fixing Bracket
19	3501030704	Spring - Hook Drive Bracket
20	3501020303	Connecting Plate Shaft - Fixing Bracket
21	3501030123	Spring - Needle Bar Assembly (Lower)
22	3501030102	Needle Bar - Needle Bar Support
23	3501030201	Needle Bar Clamp Main Body Subassembly - Needle Bar
24	3501030104	Threading Limit Ring - Needle Bar
25	3501030301	Separator Main Body - Needle Bar
26	3501030303	Pin - Separator Main Body (Guide)
27	3501030103	Cone Spring - Needle Bar
28	3501030305	Spring - Separator Return
29	3501030304	Drive Catch - Separator Main Body
30	3501030302	Pin - Separator
31	3501030601	Lever Main Bracket - Jumper
32	3501030602	Lever Adjusting Foot - Jumper

Needle Holder

Item	Stock Number	Part Number
33	3501030603	Lever Shaft - Jumper
34	3501030604	Lever Shaft Spring- Jumper
35	3501030503	Threader Main Body Lower Cover - Threader
36	3501030506	Spring - Thread Tension Disc - Threader
37	3501030504	Thread Tension Disc - Threader
38	3501030505	Pin - Thread Tension Disc
39	3501030502	Thread Tension Main Body - Threader
40	3501030113	Shaft Washer - Threader Shaft
41	3501030501	Guide Shaft - Threader
42	3501030119	Spring - Guide Shaft
43	3501030118	Reset Slider Body - Guide Shaft
44	3501030110	Swing Eccentric Body - Needle Bar Support
45	3501030107	Limit Stopper A - Needle Bar Support
46	3501030108	Limit Stopper B - Needle Bar Support
47	3501030120	Spring - Threader Shaft
48	3501030701	Threader Shaft - Needle Bar Assembly

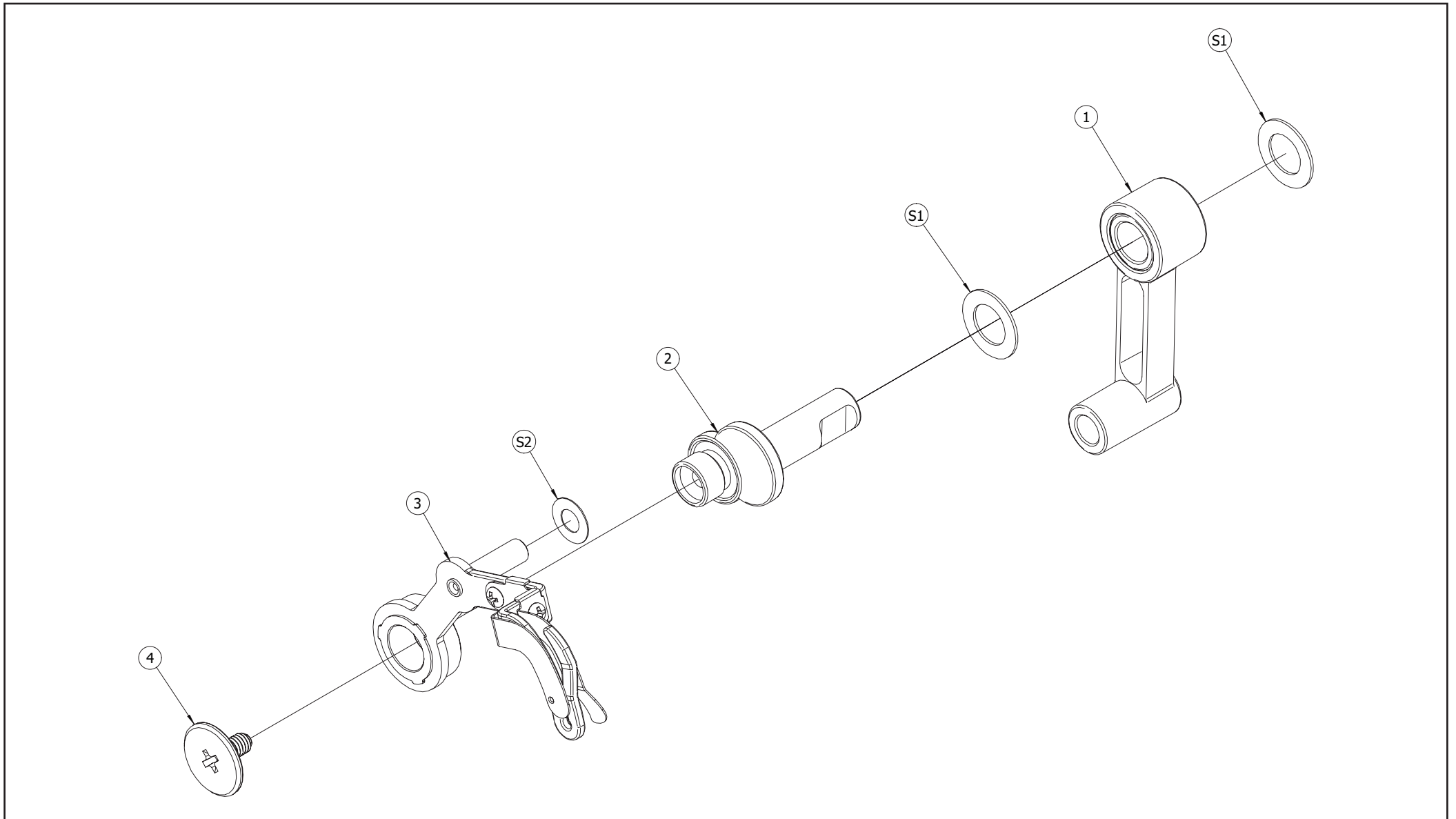
Needle Holder

Item	Stock Number	Part Number
49	3501030115	Pin 3 - Threader Shaft
50	3501030114	Pin 2 - Threader Shaft
51	3501030705	Pin 1 - Threader
52	3501030703	Hook Drive Bracket - Threader Shaft
53	3501030706	Spring - Thread Hook Body Subassembly
54	3501030702	Thread Hook Body Subassembly- Threader Shaft
55	3501030402	Needle Bar Screw - Needle Bar Body
56	3501030406	Needle Limit Screw - Needle Bar
57	3501030117	Connecting Rod 2 Subassembly - Hook Body Subassembly
58	3501030116	Connecting Rod 1-Threader
S1	8051000502	Cross/Slotted Pan Head Combination Screw M3×8
S2	8051000302	Cross/Slotted Pan Head Screw M3×6
S3	8054000102	Cross Pan Head Screw M2×4
S4	8053000203	Socket Head Cap Combination Screw M4×8
S5	8053000101	Socket Head Cap Combination Screw M3×8
S6	8051000301	Cross/Slotted Pan Head Screw M3×4

Needle Holder

Item	Stock Number	Part Number
S7	8051000401	Cross/Slotted Pan Head Screw M4×6
S8	8052000201	M4×4 Set Screw M4×4
S9	8054000601	Cross Pan Head Serrated Combination Screw M3×6
S10	8090000303	Graphite Nylon Washer M3×6×0.2
S11	8055000106	E-Clip ø 2.5×0.4
S12	8054000104	Cross Pan Head Screw M2.6×4
S13	8068000101	Elastic Cotter Pin M2×8
S14	8081003312	Socket Head Cap Screw M3X12
S15	8055000103	E-Clip ø 2×0.4
S16	8090000405	Graphite Nylon Washer M4×8×0.2

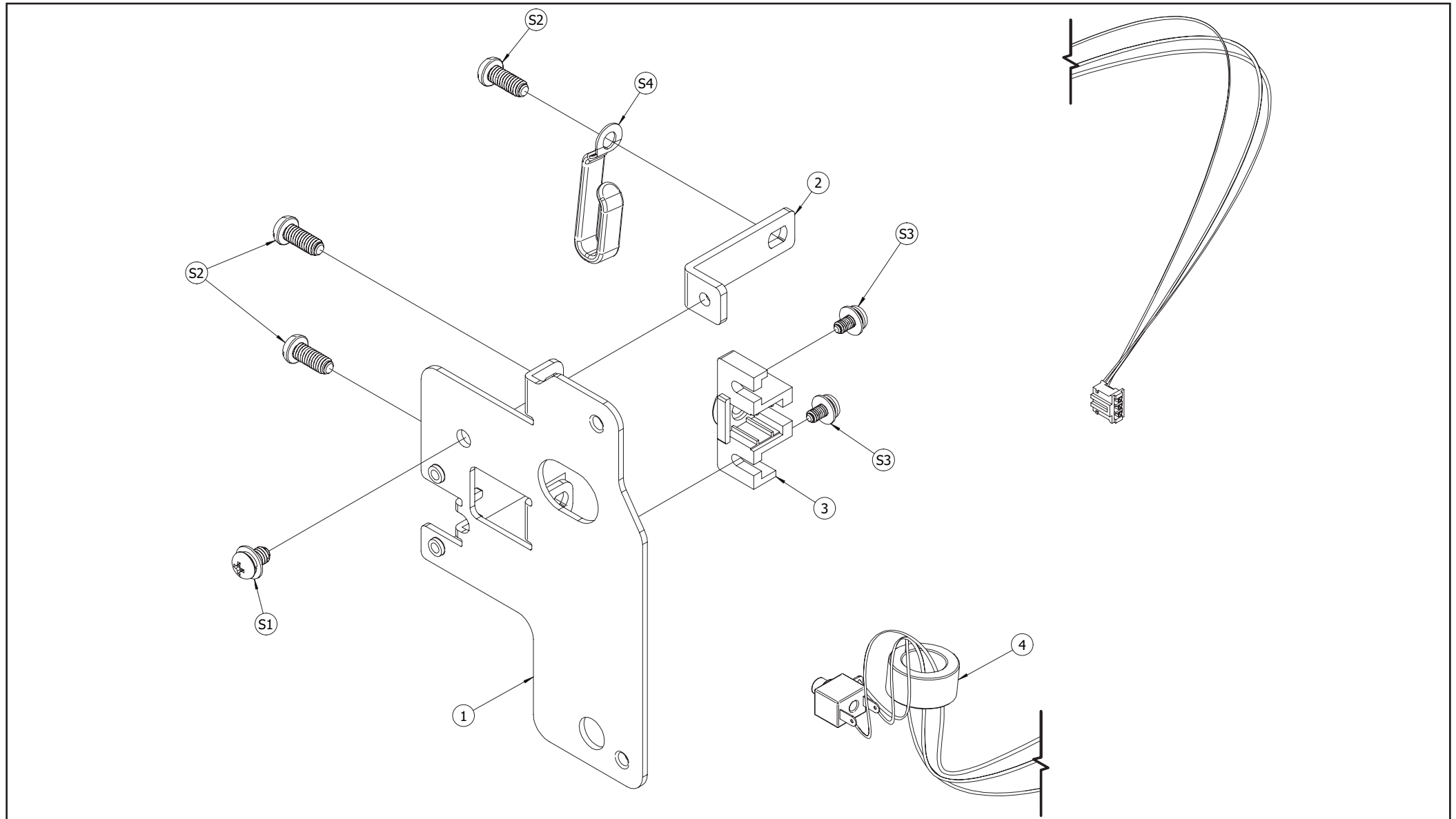
Take-Up Lever Section



Take-Up Lever Section

Item	Stock Number	Part Number
1	3501040101	Small Connecting Rod Subassembly - 5000
2	3560010115	Take-Up Crank Shaft - 5000
3	3501040201	Take-Up Lever Subassembly
4	3560010116	Left-Hand Thread Screw - Take-Up Crank Shaft - 5000
S1	8090000701	Graphite Nylon Washer M7×12×0.5
S2	8090000405	Graphite Nylon Washer M4×8×0.2

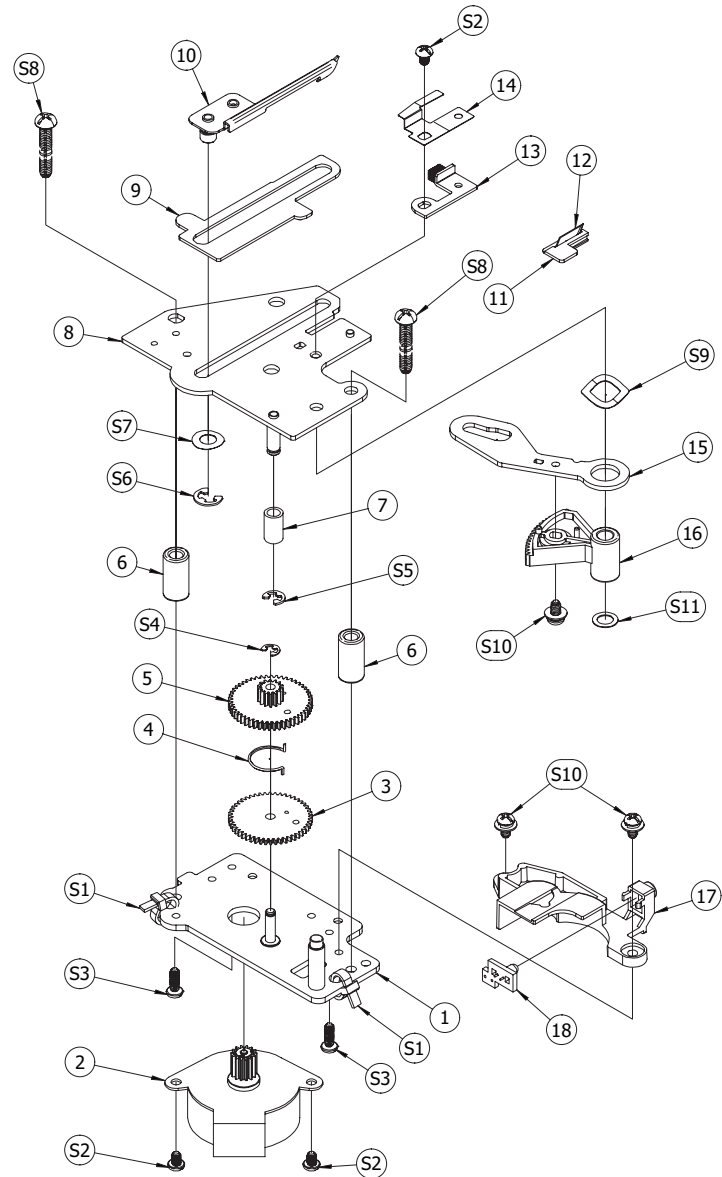
Machine Head Lamp Cover Fixing Bracket Assembly



Machine Head Lamp Cover Fixing Bracket Assembly

Item	Stock Number	Part Number
1	3501050101	Main Bracket - Lamp Cover
2	3501050102	Secondary Bracket - Main Bracket - Lamp Cover
3	3501050103	Socket Bracket - Main Bracket - Lamp Cover
4	3501050460	LED Light Cable Harness Assembly - Lamp Cover Fixing Bracket Assembly
S1	8090000701	Graphite Nylon Washer M7×12×0.5
S2	8090000405	Graphite Nylon Washer M4×8×0.2
S3	8054000401	Cross Pan Head Combination Screw M3×6
S4	8039000243	Fixing Clip - CW4-32mm

Thread Trimming Device Section



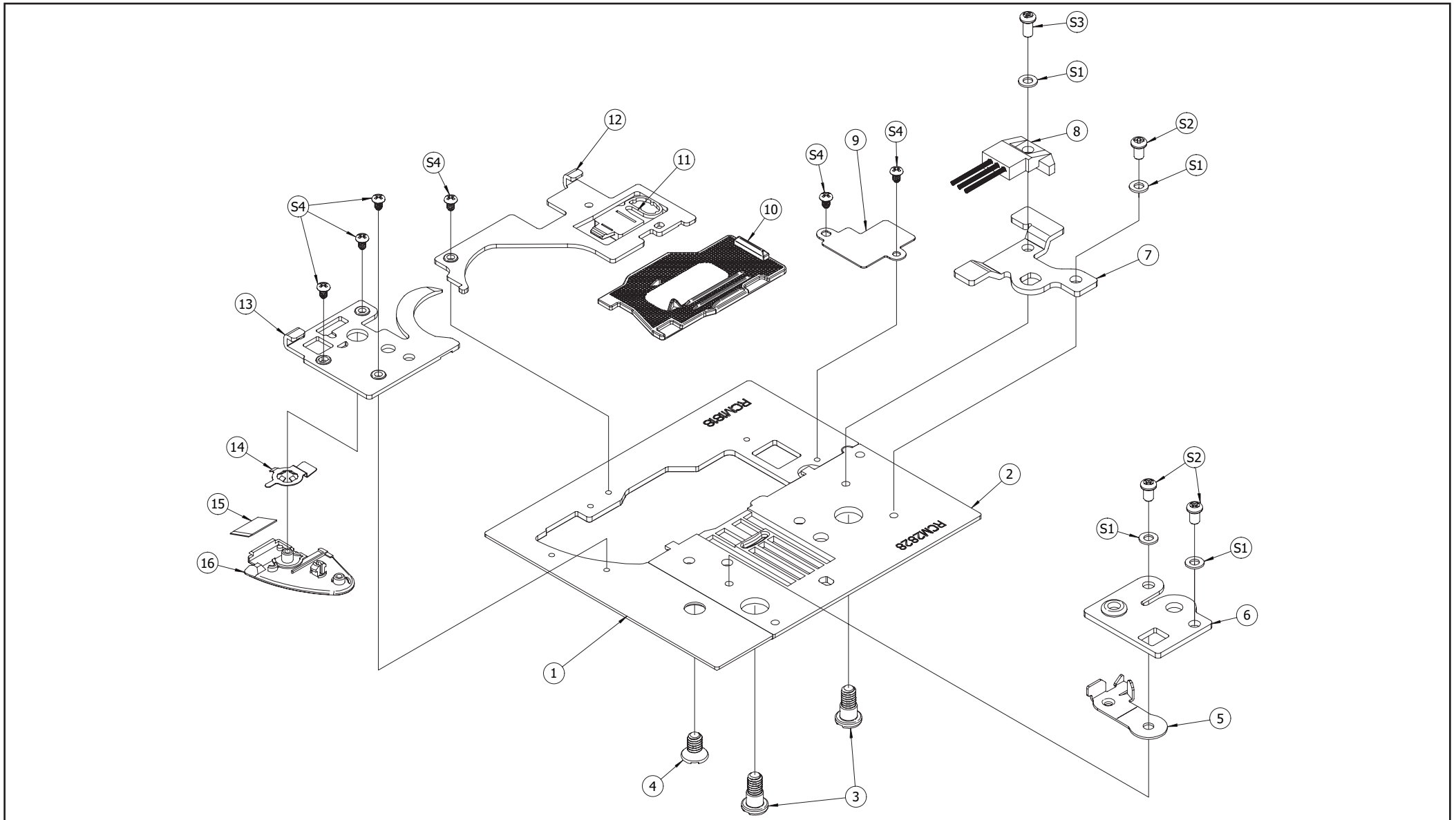
Thread Trimming Device Section

Item	Stock Number	Part Number
1	3501060101	Motor Fixing Subassembly - Thread Trimming
2	3501060201	Motor - Thread Trimming
3	3501060109	Driven Secondary Gear - Thread Trimming
4	3501060116	Retaining Spring - Gear
5	3501060110	Driven Gear - Thread Trimming
6	3501060108	Cylindrical Ring - Thread Trimming
7	3501060115	Limit Bushing - Thread Trimming
8	3501060102	Guide Fixing Subassembly - Thread Trimming
9	3501060113	Thread Hook Guide Plate - Thread Trimming
10	3501060103	Thread Hook Body Subassembly - Thread Trimming
11	3501060114	Blade Fixing Seat - Thread Trimming
12	3560010102	Blade - Machine Head - Universal
13	3501060107	Brush Holder Subassembly - Thread Trimming
14	3501060105	Fixing Presser Plate - Thread Trimming
15	3501060104	Drive Movable Plate - Thread Trimming
16	3501060111	Drive Gear - Thread Trimming

Thread Trimming Device Section

Item	Stock Number	Part Number
17	3501060112	Detection Fixing Bracket L - Bobbin Thread
18	3501060301	Circuit Board L - Bobbin Thread Detection
S1	8039000601	Cable Tie 4×100
S2	8051000301	Cross/Slotted Pan Head Screw M3×4
S3	8051000303	Cross/Slotted Pan Head Screw M3×8
S4	8055000106	E-Clip ø 2.5×0.4
S5	8055000104	E-Clip ø 3×0.6
S6	8055000105	E-Clip ø 4×0.6
S7	8090000506	Copper Washer M5×10×0.2
S8	8051000404	Cross/Slotted Pan Head Screw M4×20
S9	8090001001	Wave Washer M10×15×0.3
S10	8051000501	Cross/Slotted Pan Head Combination Screw M3×6
S11	8090000504	Graphite Nylon Washer M5×8×0.3

Needle Plate Assembly



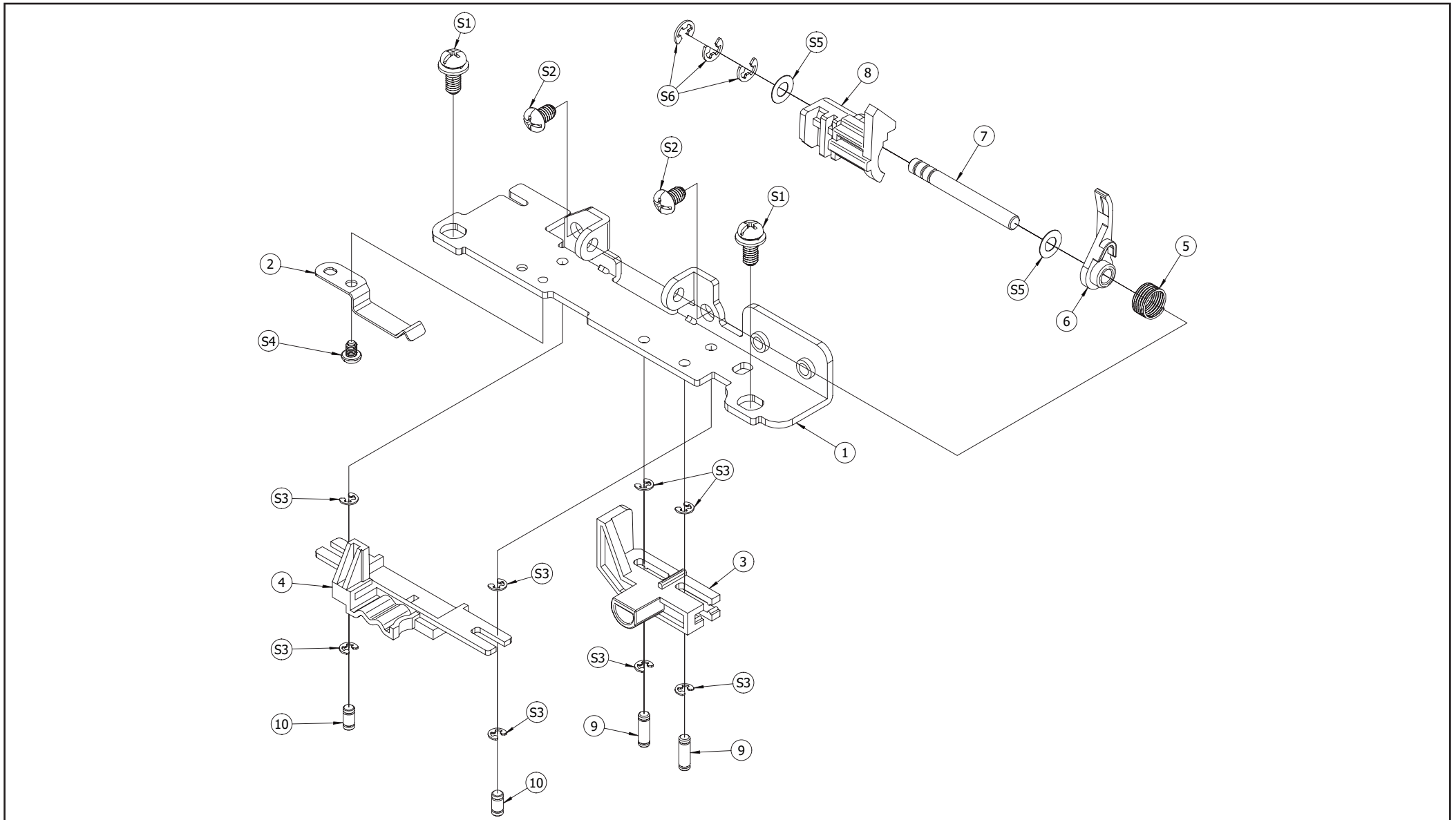
Needle Plate Assembly

Item	Stock Number	Part Number
1	3501070101	Main Body Plate - Needle Plate Cover
2	3501070103	Needle Plate - 5000
2	3501160601	Needle Plate - Single Hole
3	3501070111	Special Screw - Needle Plate
4	3501070110	Special Screw - Needle Plate Cover
5	3501070104	Inner Hook Limit Piece - Needle Plate
6	3501070102	Fixing Bracket - Needle Plate Cover
7	3501070107	Fixing Bracket - Needle Plate
8	3501070112	Brush Subassembly - Needle Plate
9	3501070106	Snap Cover Plate - Needle Plate Cover
10	3501070114	Cover Plate - Bobbin
11	3501070115	Snap - Needle Plate Cover
12	3501070105	Snap Bracket - Needle Plate Cover
13	3501070108	Guide Bracket - Needle Plate Bobbin Thread
14	3501070109	Tooth Lock Washer - Bobbin Thread Guide Plate - Needle Plate Cover
15	3560010102	Blade - Machine Head - Universal

Needle Plate Assembly

Item	Stock Number	Part Number
16	3501070113	Bobbin Thread Guide Plate - Needle Plate Cover
S1	8090000201	Flat Washer M2.5×5×0.5
S2	8054000104	Cross Pan Head Screw M2.6×4
S3	8054000105	Cross Pan Head Screw M2.6×5
S4	8054000101	Cross Pan Head Screw M2×3

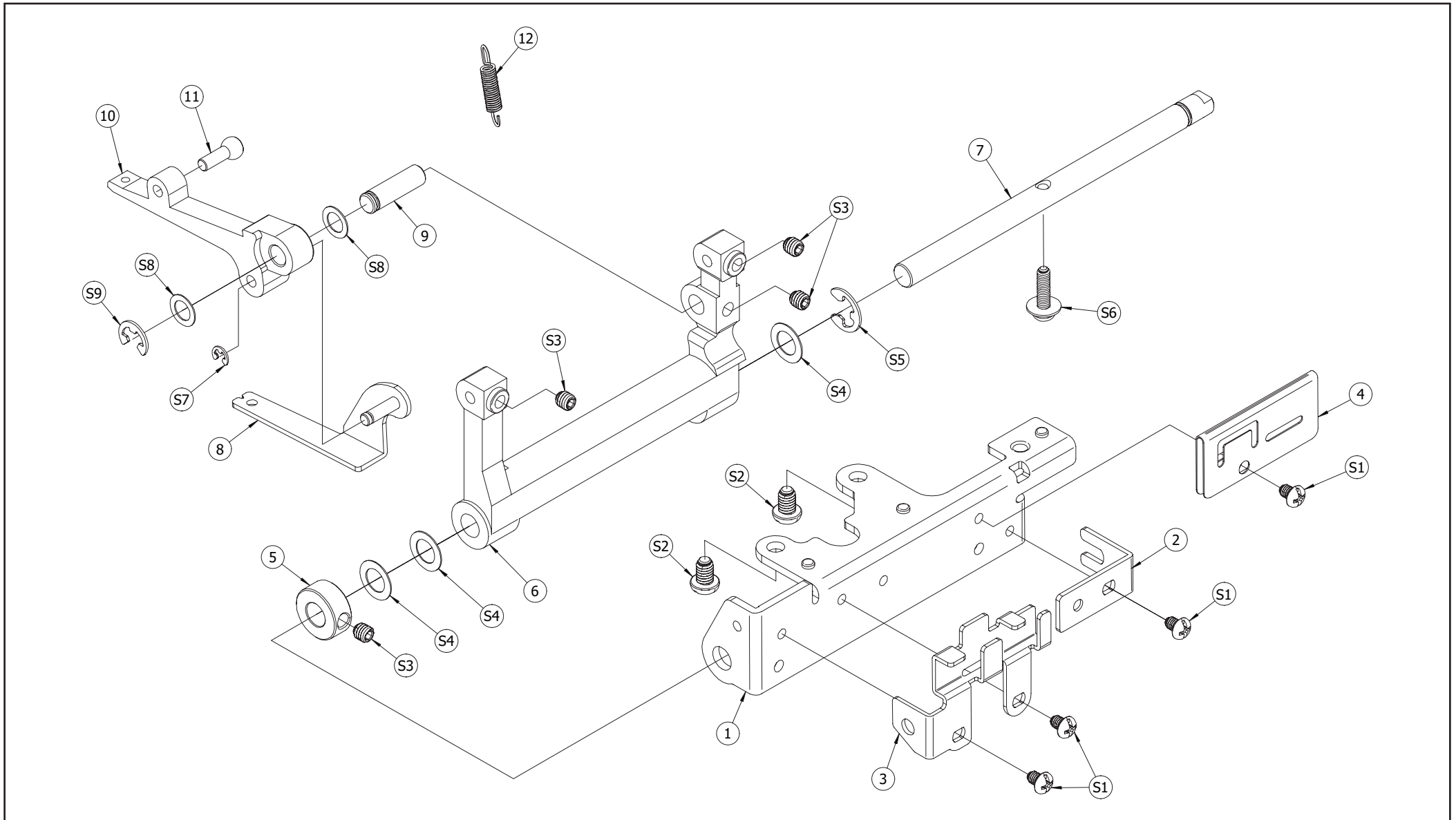
Tooth-lifting Switch Assembly



Tooth-lifting Switch Assembly

Item	Stock Number	Part Number
1	3501070201	Main Bracket - Presser Foot Drop Switch
2	3501070202	Limit Spring Plate - Presser Foot Drop Switch
3	3501070207	Lever Key
4	3501070206	Switch Key
5	3501070210	Spring
6	3501070209	Driver - Presser Drop
7	3501070203	Shaft - Presser Drop Switch
8	3501070208	Slider Main Body - Presser Drop Drive
9	3501070205	Pin - Automatic Presser Drop
10	3501070204	Pin - Manual Presser Drop
S1	8051000602	Cross/Slotted Pan Head Combination Screw M4×10
S2	8051000401	Cross/Slotted Pan Head Screw M4×6
S3	8055000103	E-Clip ø 2×0.4
S4	8051000301	Cross/Slotted Pan Head Screw M3×4
S5	8090000405	Graphite Nylon Washer M4×8×0.2
S6	8055000104	E-Clip ø 3×0.6

Horizontal Device Assembly



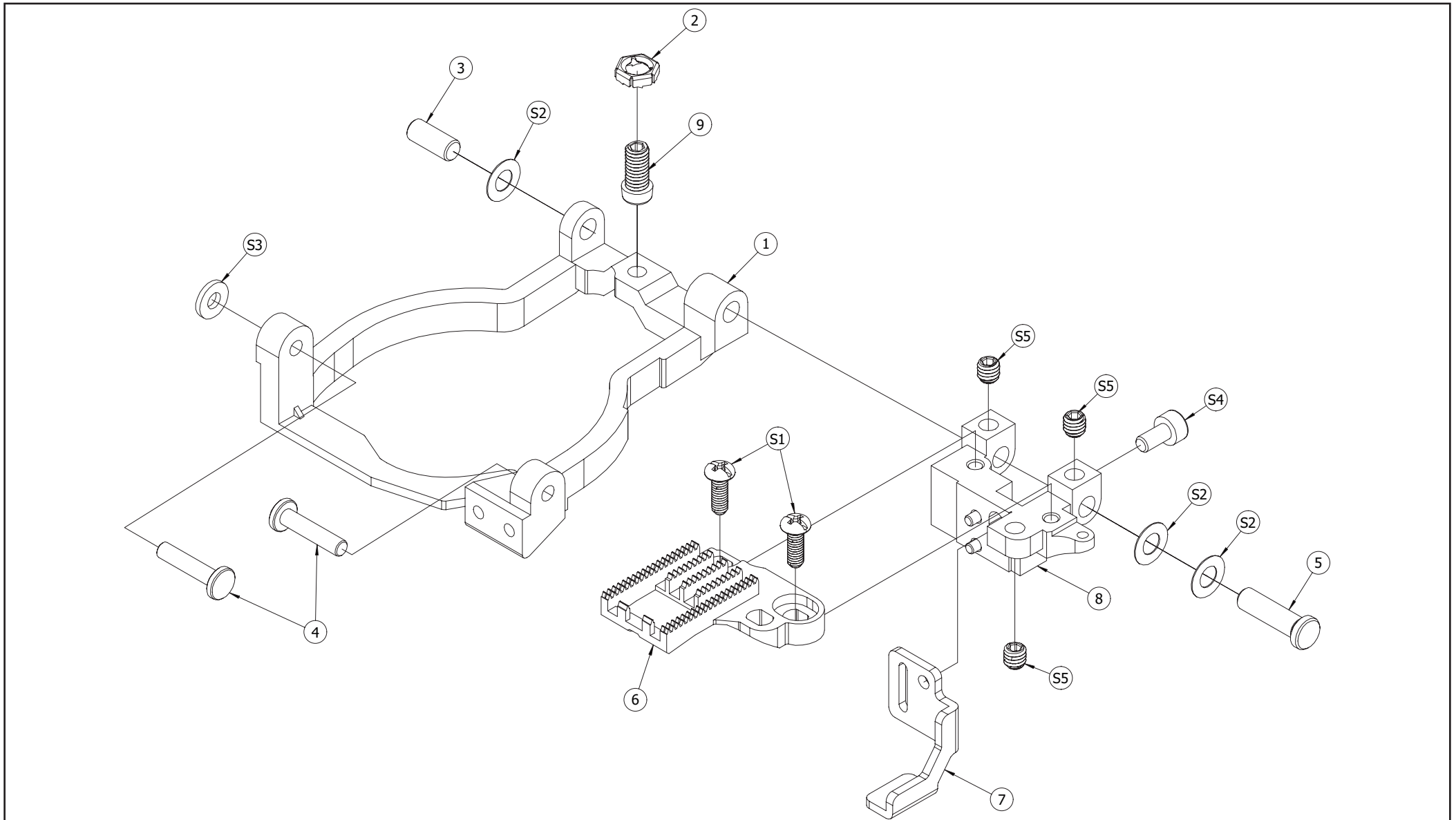
Horizontal Device Assembly

Item	Stock Number	Part Number
1	3501070301	Fixing Bracket - Feed Transmission Body
2	3501070302	Shaft Limit Bracket - Feed Transmission Body
3	3501070303	Wire Guard Bracket - Thread Trimming Motor
4	3501070309	Wire Guard Clip - Feed Horizontal Device
5	3501070305	Shaft Lock Ring - Feed Transmission Body
6	3501070308	Transmission Body - Feed
7	3501070304	Shaft - Feed Transmission Body
8	3501070502	Guide Subassembly - Feed Fork
9	3501070307	Pin - Fork Main Body
10	3501070501	Feed Fork - 5000
11	3501070504	Ball Head Pin - Feed Fork
12	3501070503	Spring - Feed Fork
S1	8051000301	Cross/Slotted Pan Head Screw M3×4
S2	8051000401	Cross/Slotted Pan Head Screw M4×6
S3	8052000201	Set Screw M4×4
S4	8090000607	Graphite Nylon Washer M6×10×0.3

Horizontal Device Assembly

Item	Stock Number	Part Number
S5	8055000102	E-Clip \varnothing 5 \times 0.6
S6	8054000405	Cross Pan Head Combination Screw M3 \times 12
S7	8055000103	E-Clip \varnothing 2 \times 0.4
S8	8090000504	Graphite Nylon Washer M5 \times 8 \times 0.3
S9	8055000105	E-Clip \varnothing 4 \times 0.6

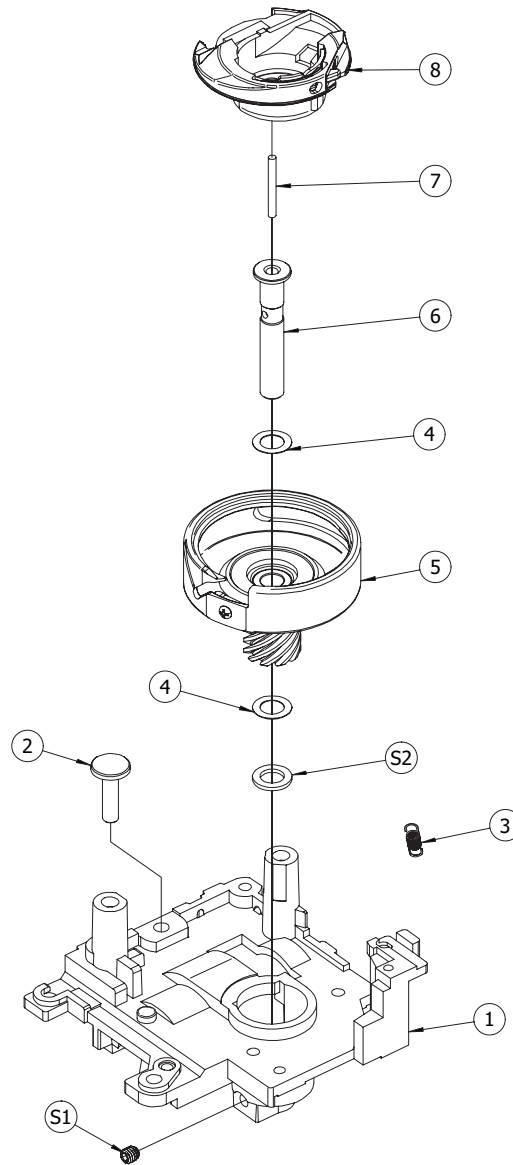
Feed Device Assembly



Feed Device Assembly

Item	Stock Number	Part Number
1	3501070401	Horizontal Transmission Body
2	3501070408	Anti-Loosening Adjustment Nut
3	3501070404	Feed Dog Drive Transmission Body Pin A1
4	3501070306	Feed Transmission Body Pin
5	3501070405	Feed Dog Drive Transmission Body Pin A2
6	3501070403	Feed Gear
7	3501070406	Feed Dog Drive Bracket
8	3501070402	Feed Dog Drive Device Subassembly
9	3501070409	Hexagon Socket M4 Adjustment Screw Subassembly
S1	8051000303	Cross/Slotted Pan Head Screw M3×8
S2	8090000405	Graphite Nylon Washer M4×8×0.2
S3	8090000307	Flat Washer M3×7×1
S4	8081003306	Socket Head Cap Screw M3X6
S5	8052000201	Set Screw M4×4

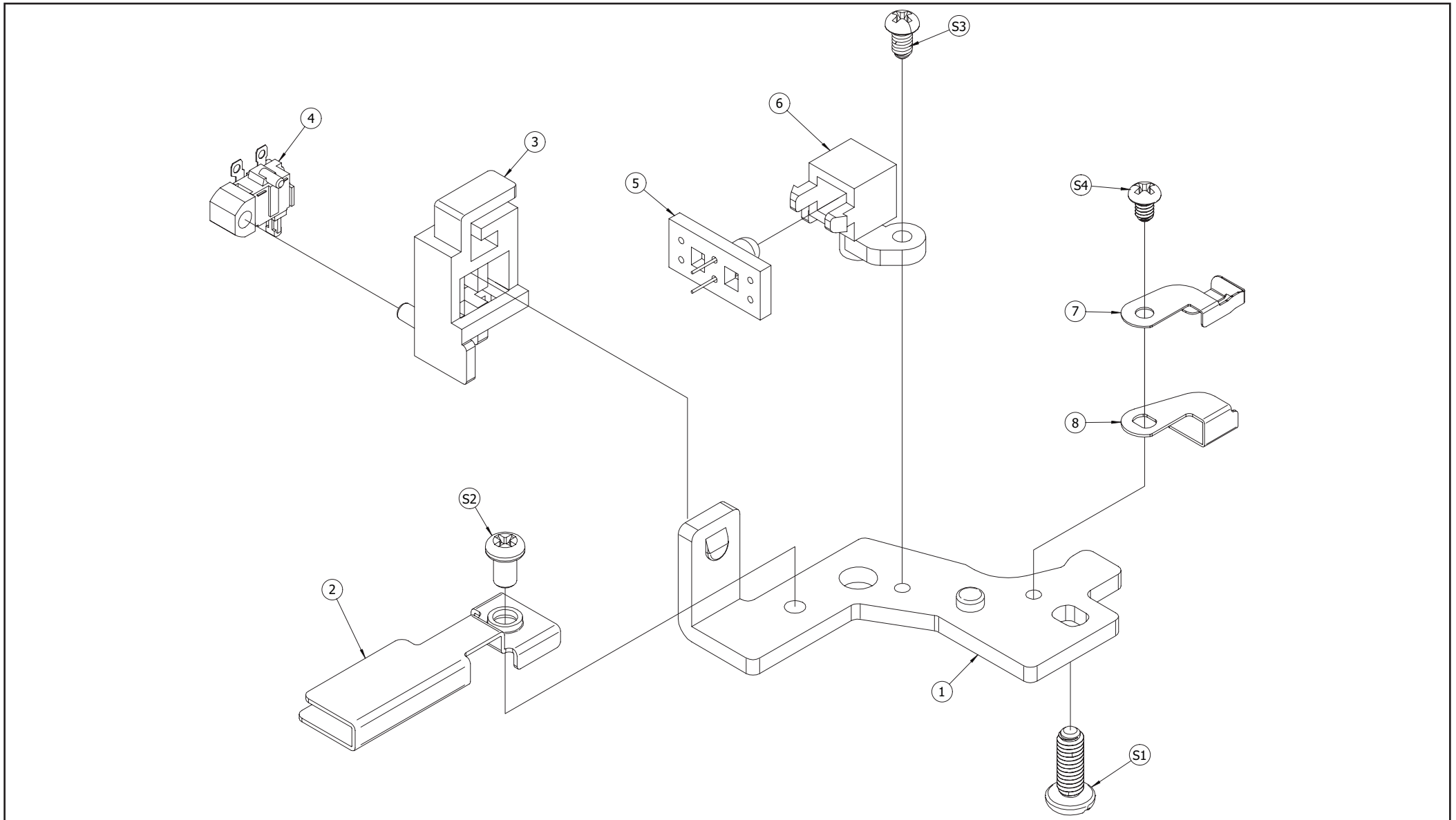
Horizontal Rotary Hook Section



Horizontal Rotary Hook Section

Item	Stock Number	Part Number
1	3501070601	Rotary Hook Main Body Seat - 5000
2	3501070410	Ejector Rod - Feed Dog Drive - Special
3	3501070407	Return Spring - Feed Dog Drive Device
4	3501070602	Copper Flat Washer - Horizontal Rotary Hook Shaft
5	3501070701	Horizontal Rotary Hook Assembly - Rotary Hook Main Body Seat
6	3501070702	Shaft - Horizontal Rotary Hook
7	0304000352	Oil Wick - Machine Head Drive Shaft
8	3560010119	Bobbin Case - Machine Head
S1	8052000201	Set Screw M4×4
S2	8090000609	Flat Washer M6×10×1

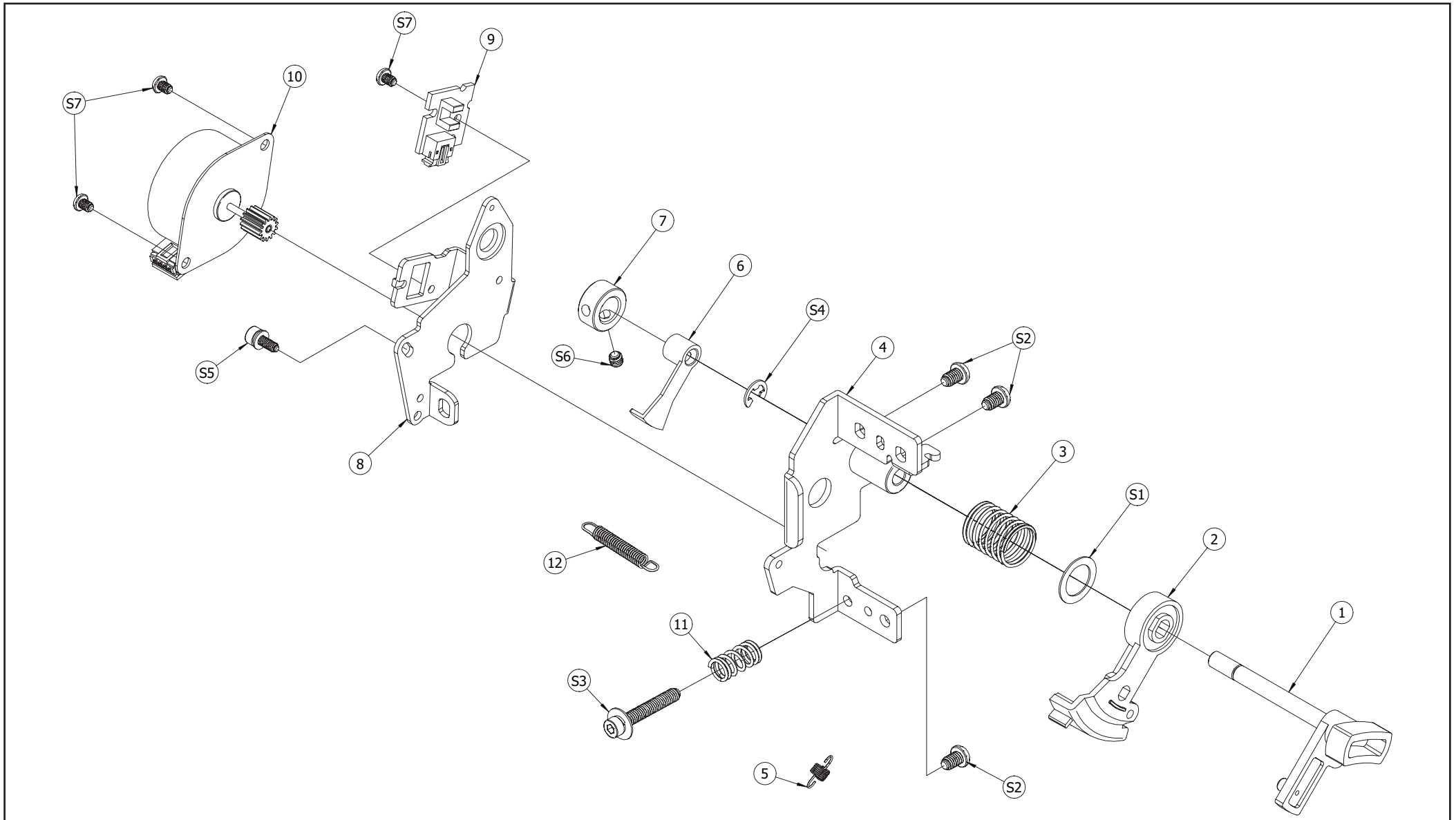
Bobbin Case Limit Assembly



Bobbin Case Limit Assembly

Item	Stock Number	Part Number
1	3501070901	Bobbin Case Limit Bracket - Rotary Hook Main Body Seat
2	3501070902	Wire Guard Bracket - Bobbin Case Limit Bracket
3	3501070906	Detection Fixing Bracket - Needle Plate
4	3501071101	Detection Signal Cable - Needle Plate
5	3501071001	Detection Plate R - Bobbin Thread
6	3501070905	Detection Fixing Bracket R - Bobbin Thread
7	3501070903	Limit Spring Plate - Bobbin Case
8	3501070904	Limit Guard Plate - Bobbin Case
S1	8051000303	Cross/Slotted Pan Head Screw M3×8
S2	8054000103	Cross Pan Head Screw M2.5×4
S3	8054000102	Cross Pan Head Screw M2×4
S4	8054000101	Cross Pan Head Screw M2×3

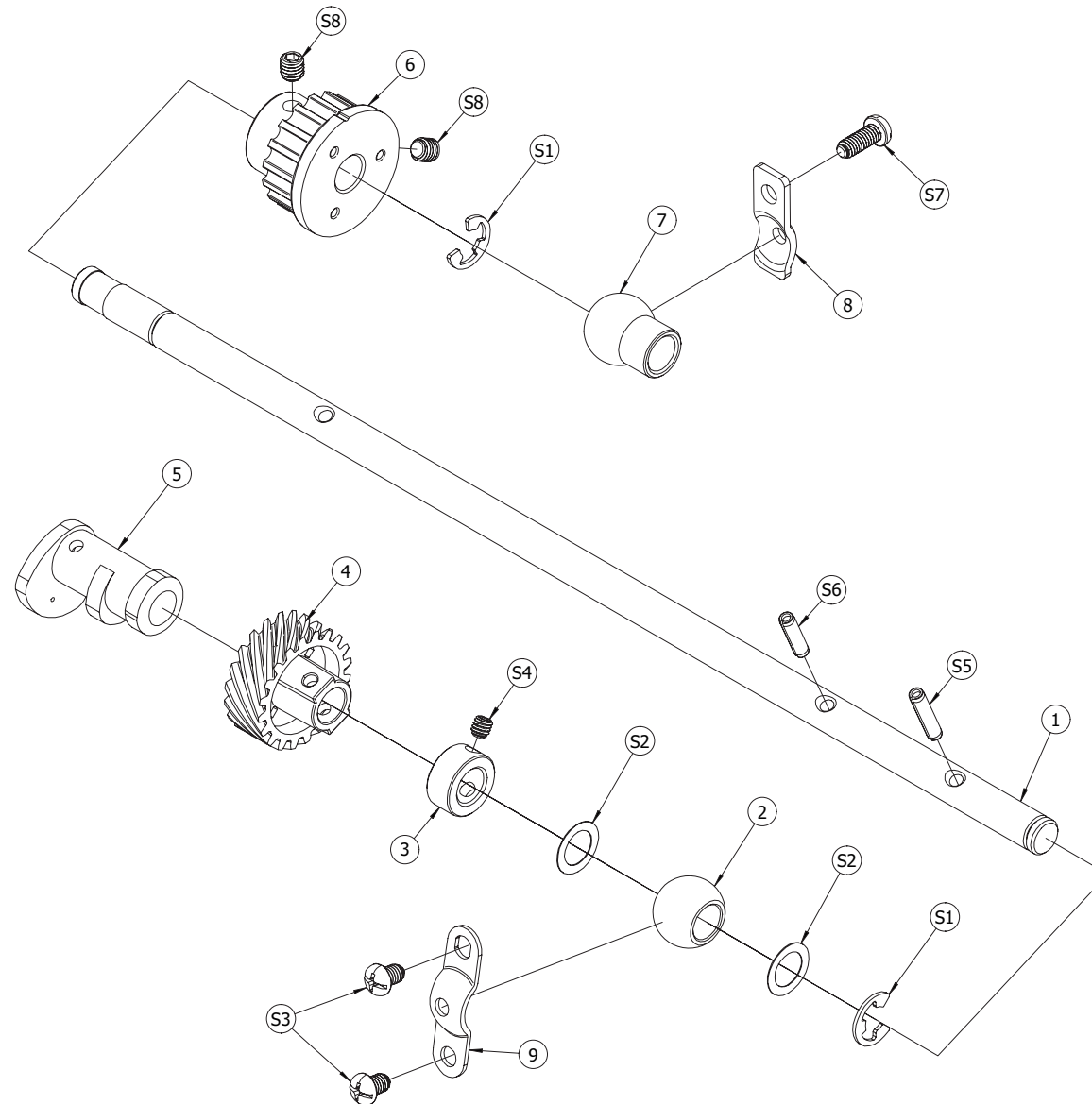
Feed Adjusting Motor Assembly



Feed Adjusting Motor Assembly

Item	Stock Number	Part Number
1	3501071203	Cam Subassembly - Feed
2	3501071204	Cam Drive Gear - Feed
3	3501071207	Limit Spring - Cam Drive Gear - Feed
4	3501071201	Main Bracket Subassembly - Feed
5	3501071209	Extension Spring - Cam Drive Gear - Feed
6	3501071205	Sensor Plate - Feed
7	3501010305	Collar - Upper Shaft - 5000
8	3501071202	Motor Bracket - Feed
9	3501071401	Sensor Board - Feed
10	3501071301	Motor - Feed
11	3501071210	Adjustment Spring - Motor Bracket - Feed
12	3501071208	Extension Spring - Motor Bracket
S1	8090001004	Graphite Nylon Washer M10×15×0.5
S2	8051000401	Cross/Slotted Pan Head Screw M4×6
S3	8053000202	Socket Head Cap Combination Screw M4×25
S4	8055000105	E-Clip ø 4×0.6
S5	8053000101	Socket Head Cap Combination Screw M3×8
S6	8052000201	Set Screw M4×4
S7	8051000301	Cross/Slotted Pan Head Screw M3×4

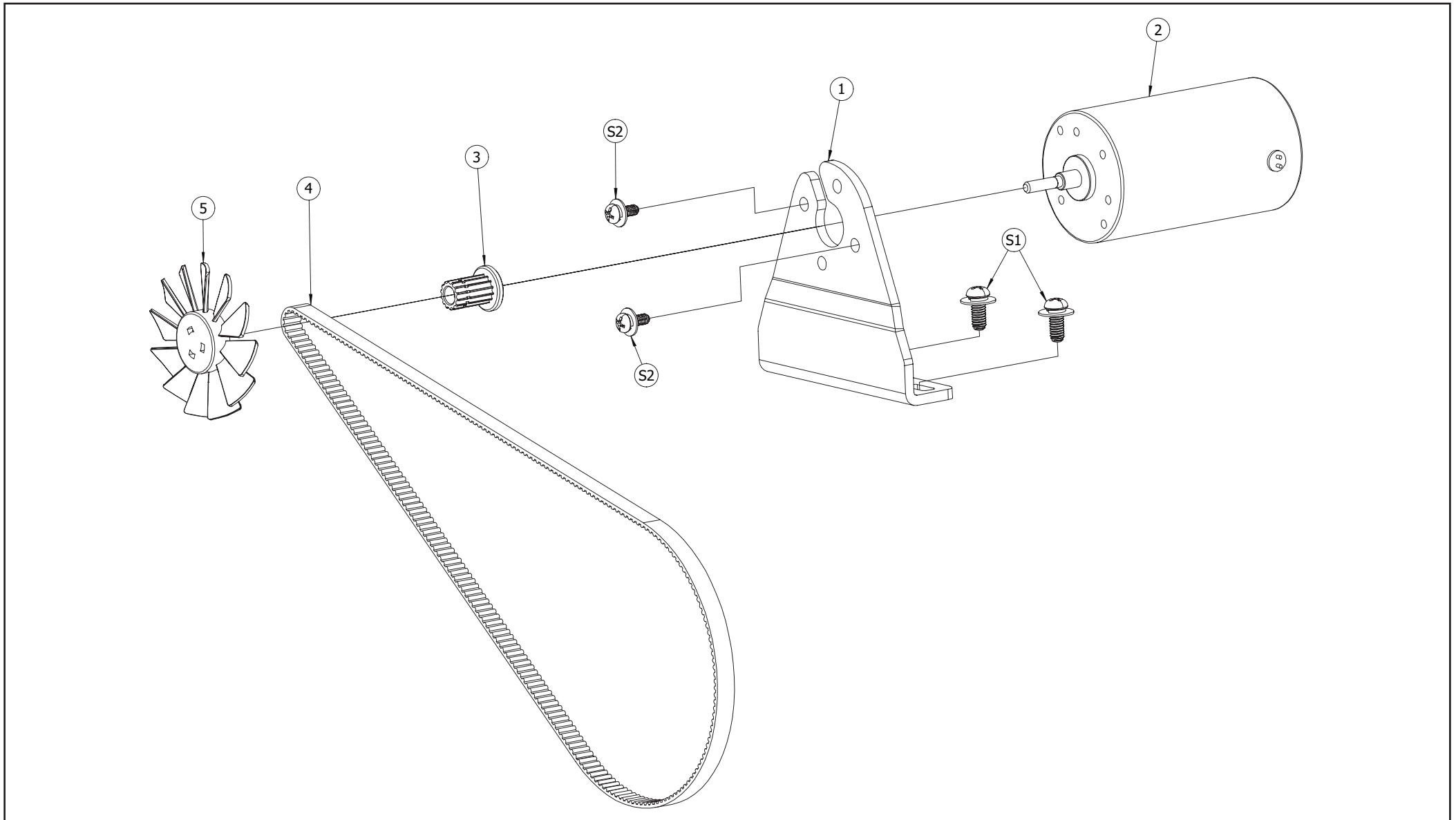
Lower Shaft Assembly



Lower Shaft Assembly

Item	Stock Number	Part Number
1	3501071501	Lower Shaft - 5000
2	3501071502	Ball Bushing L - Lower Shaft - 5000
3	3501010305	Collar - Upper Shaft - 5000
4	3560010133	Rotary Hook Helical Gear - Lower Shaft - 5000
5	3501071503	Cam - Lower Shaft - 5000
6	3501071505	Drive Wheel - Lower Shaft - 5000
7	3501010308	Ball Bushing - Upper Shaft - 5000
8	3501010106	R Fixing Plate - Ball Bushing
9	3501010105	L Fixing Plate - Ball Bushing
S1	8055000101	E-Clip \varnothing 6×0.8
S2	8090000835	Graphite Nylon Washer M8_12_0.2
S3	8051000401	Cross/Slotted Pan Head Screw M4×6
S4	8052000201	Set Screw M4×4
S5	8068000203	Elastic Cotter Pin M3×14.5
S6	8068000201	Elastic Cotter Pin M3×12
S7	8051000403	Cross/Slotted Pan Head Screw M4×10
S8	8052000301	Set Screw M5×5

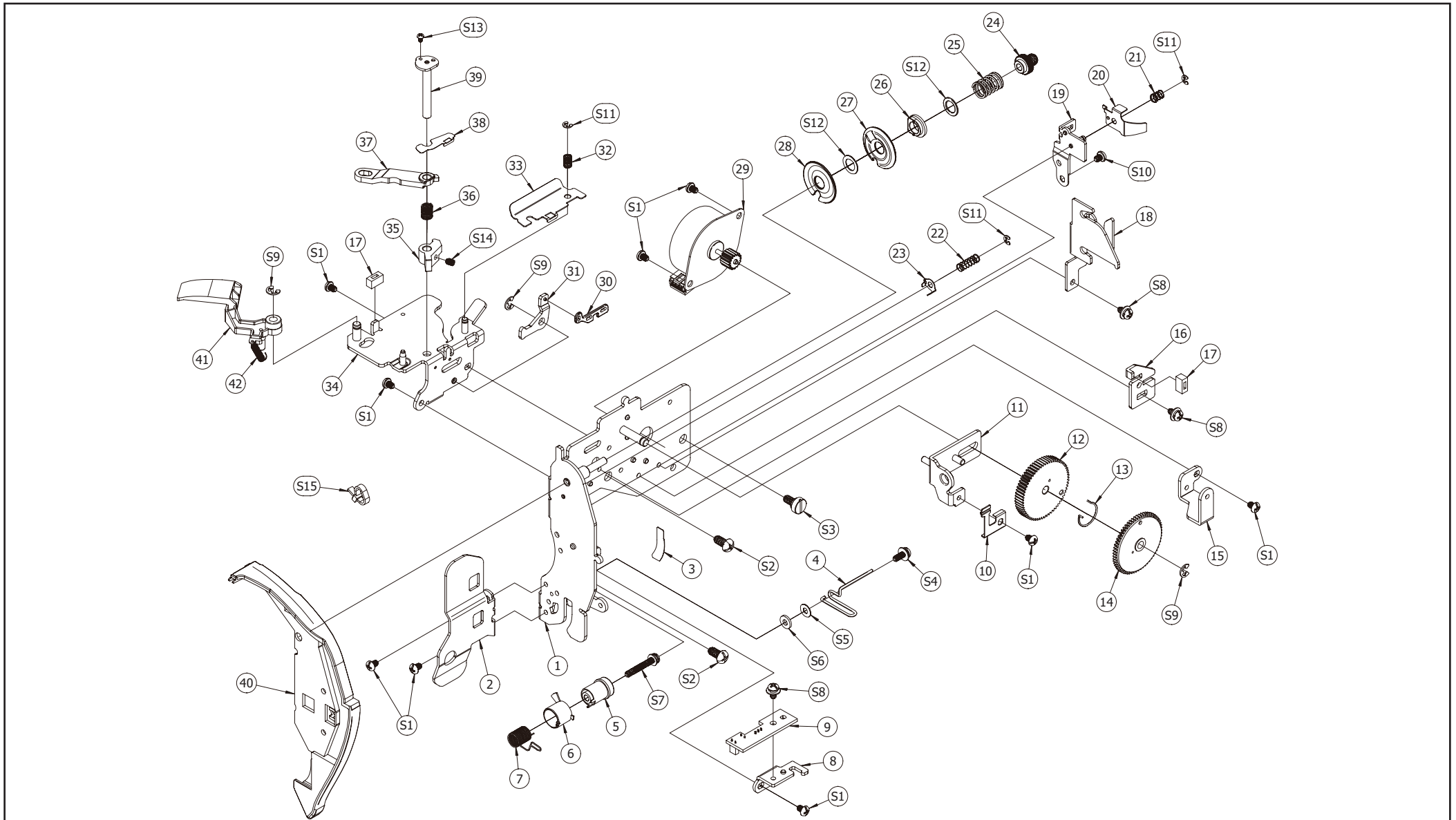
Main Motor Module



Main Motor Module

Item	Stock Number	Part Number
1	3501080101	Motor Bracket - Main Shaft
2	3501080103	Main Shaft Motor - 5000
3	3501080105	Gear - Main Shaft Motor
4	3501080104	Belt - Main Shaft
5	3501080102	Fan Blade - Main Shaft Motor
S1	8054000504	10 Cross Pan Head Combination Screw M4×10
S2	8054000404	Cross Pan Head Combination Screw M3×8

Thread Tensioner Section



Thread Tensioner Section

Item	Stock Number	Part Number
1	3501090101	Main Bracket Subassembly - Thread Tensioner
2	3501090116	Thread Guard Bracket - Main Bracket Subassembly - Thread Tensioner
3	3501090127	Silicone Guard Pad - Take-Up Spring
4	3501090122	Lower Thread Guard Spring - Main Bracket Subassembly - Thread Tensioner
5	3560010125	Take-Up Spring Bracket Seat - Thread Tensioner
6	3560010126	Take-Up Spring Detection Ring - Thread Tensioner
7	3560010127	Take-Up Spring - Thread Tensioner
8	3501090123	Detection Plate Bracket - Take-Up Spring
9	3501090401	Take-Up Spring Sensor Plate - Thread Tensioner
10	3501090111	Limit Presser Plate - Thread Tensioner
11	3501090109	Tension Drive Subassembly - Thread Tensioner
12	3501090113	Upper Thread Tension Gear - Thread Tensioner
13	3501060116	Retaining Spring - Gear
14	3501090112	Upper Thread Tension Secondary Gear - Thread Tensioner
15	3501090102	Outer Cover Bracket - Upper Thread Tension
16	3501090114	Gear Limit Plate - Thread Tensioner

Thread tension base

Item	Stock Number	Part Number
17	3501090210	Shock Absorbing Rubber Sleeve - Thread Tensioner
18	3501090115	Thread Guide Bracket - Main Bracket Assembly - Thread Tensioner
19	3501090119	Lower Thread Guide Assembly - Main Bracket Assembly - Thread Tensioner
20	3501090120	Lower Thread Guide Plate - Main Bracket Assembly - Thread Tensioner
21	3501090121	Pressure Plate Spring - Lower Thread Guide
22	3501090118	Guard Pressure Plate Spring - Tension Disc
23	3501090117	Guard Pressure Plate - Tension Disc
24	3501090110	Adjusting Nut - Tension Drive Assembly - Thread Tensioner
25	3501090108	Adjusting Nut - Tension Drive Assembly - Thread Tensioner
26	3501090107	Thread Tension Relief Bushing - Thread Tensioner
27	3501090104	Tension Disc L - Thread Tensioner
28	3501090105	Tension Disc R - Thread Tensioner
29	3501090301	Motor - Upper Thread Tension
30	3501090205	Limiter Plate - Upper Thread Guide - Thread Tensioner
31	3501090202	Thread Tension Release Plate - Upper Thread Guide - Thread Tensioner
32	3501090213	Pressure Plate Spring - Upper Thread Guide - Thread Tensioner

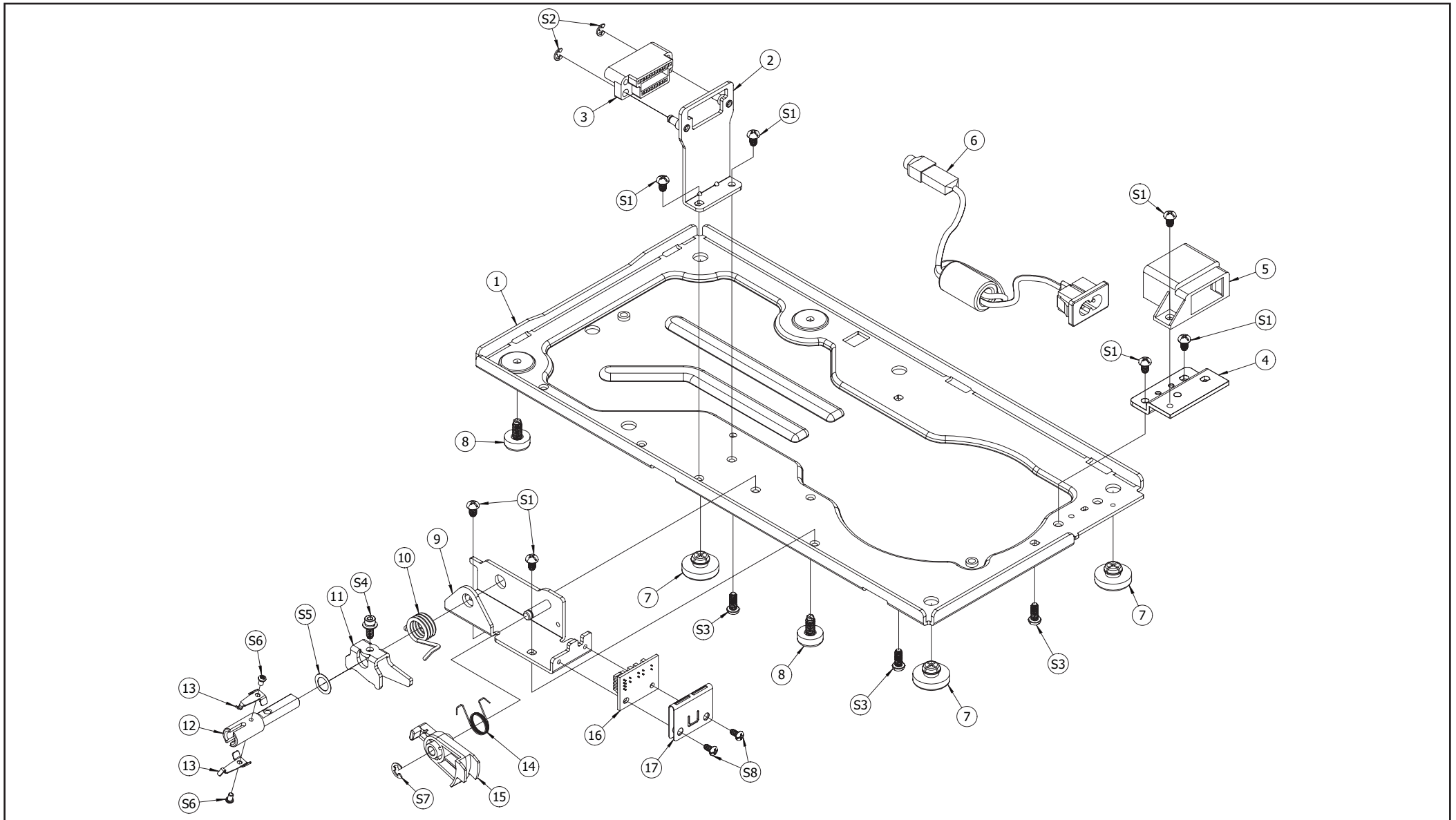
Thread tension base

Item	Stock Number	Part Number
33	3501090203	Presser Plate - Upper Thread Guide
34	3501090201	Upper Thread Guide Bracket Assembly - Main Bracket Assembly
35	3501090207	Thread Release Drive Body - Upper Thread Guide
36	3501090212	Thread Release Drive Body Spring - Upper Thread Guide
37	3501090208	Rotating Body Support Plate - Upper Thread Guide
38	3501090206	Gasket Sheet - Upper Thread Guide
39	3501090204	Adjustment Shaft Assembly - Upper Thread Guide
40	3501090128	Appearance Cover
41	3501090209	Thread Guard Rotating Body - Upper Thread Guide
42	3501090211	Thread Guard Rotating Body Tension Spring - Upper Thread Guide
S1	8051000301	Cross / Slotted Pan Head Screw M3×6
S2	8051000402	Cross / Slotted Pan Head Screw M4×8
S3	8054000301	Cross Recessed Step Screw M4×8
S4	8051000502	Cross / Slotted Pan Head Combination Screw M3×8
S5	8090000305	Spacer / Shim M3×7×0.5
S6	8090000307	Flat Washer M3×7×1

Thread tension base

Item	Stock Number	Part Number
S7	8054000406	Phillips Pan Head Combination Screw M3×20
S8	8051000501	Phillips/Slotted Pan Head Combination Screw M3×6
S9	8055000104	E-Type Retaining Ring $\varnothing 3 \times 0.6$
S10	8054000201	Phillips Pan Head Screw M3×4
S11	8055000103	E-Type Retaining Ring $\varnothing 2 \times 0.4$
S12	8090000608	Flat Washer M6×10×0.5
S13	8054000101	Phillips Pan Head Screw M2×3
S14	8052000101	Set Screw M3×4
S15	8039000601	Cable Tie 4×100
S15	80390601	Set Screw M3×4

Head Base



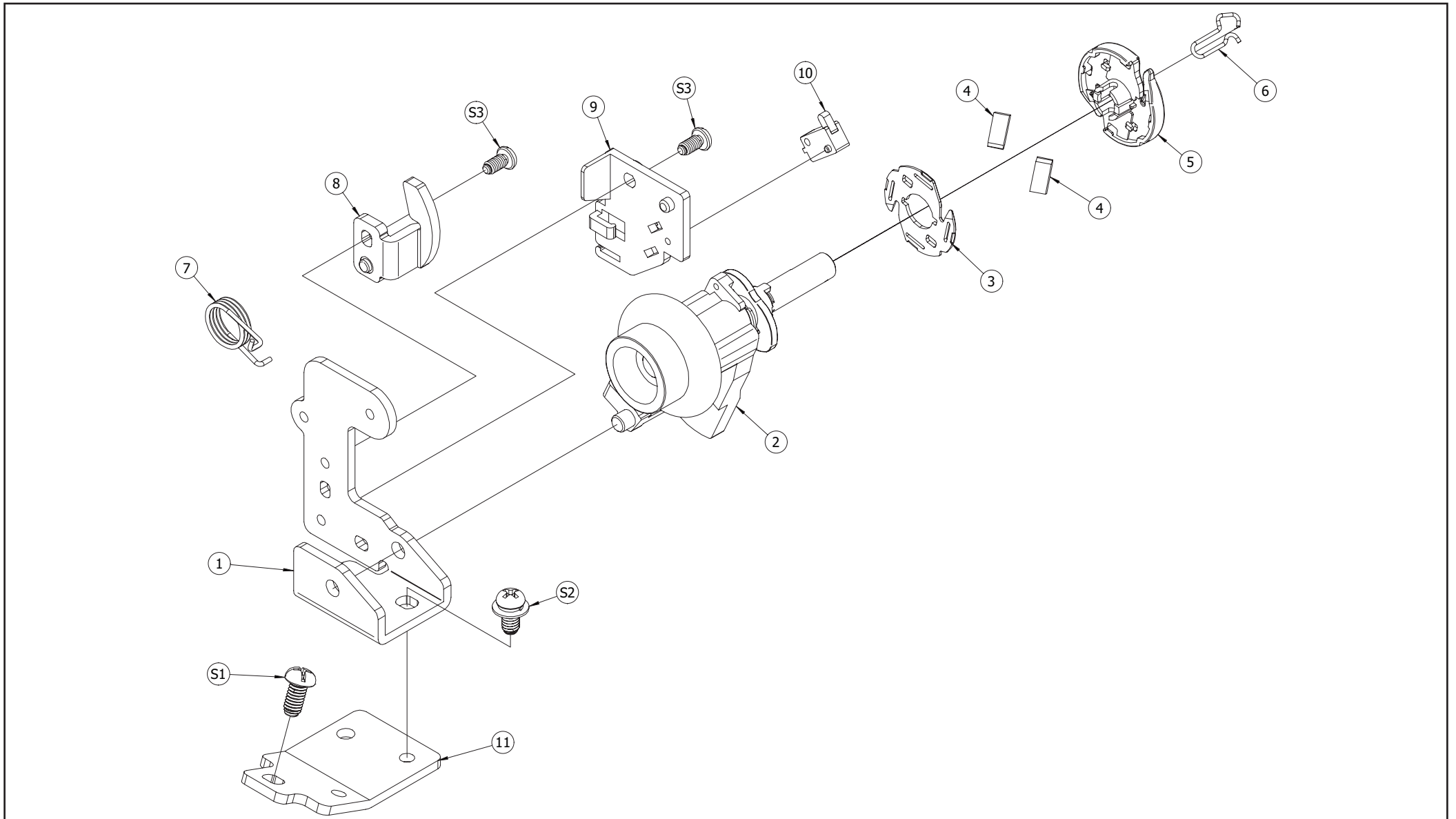
Head Base

Item	Stock Number	Part Number
1	3501100101	Base Bracket - Machine Head
2	3501100310	Connector Bracket Assembly - Base Assembly - Machine Head
3	3501100503	Female Connector - Machine Head
4	3501100105	Socket Bracket - Power Supply
5	3501100104	Socket Housing - Power Supply
6	3501100201	Input Wire Harness - AC Power
7	3501100102	Rubber Foot - Base Bracket - Machine Head
8	3501100103	Adjustable Foot Assembly - Base Bracket - Machine Head
9	3501100301	Knee Lift Lever Bracket Assembly - Base Bracket - Machine Head
10	3501100305	Rotary Return Spring - Knee Lift Presser Foot Bar
11	3501100303	Return Bracket - Knee Lift Presser Foot Bar
12	3501100302	Rotary Shaft - Knee Lift Presser Foot Bar
13	3501100304	Presser Plate - Rotary Shaft - Knee Lift Presser Foot Bar
14	3501100307	Sensor Spring - Knee Lift Presser Foot Bar
15	3501100306	Sensor - Knee Lift Presser Foot Bar
16	3501100401	Sensor Plate - Knee Lift Presser Foot Bar

Head Base

Item	Stock Number	Part Number
17	3501100308	Wire Clip - Knee Lift Presser Foot Bar
S1	8051000401	Phillips/Slotted Pan Head Screw M4×6
S2	8055000104	E-Type Retaining Ring φ3×0.6
S3	8051000403	Phillips/Slotted Pan Head Screw M4×10
S4	8053000201	Socket Head Cap Combination Screw M4×10
S5	8090000835	Graphite Nylon Washer M8×12×0.2
S6	8054000104	Phillips Pan Head Screw M2.6×4
S7	8055000105	E-Type Retaining Ring φ4×0.6
S8	8051000302	Phillips/Slotted Pan Head Screw M3×6

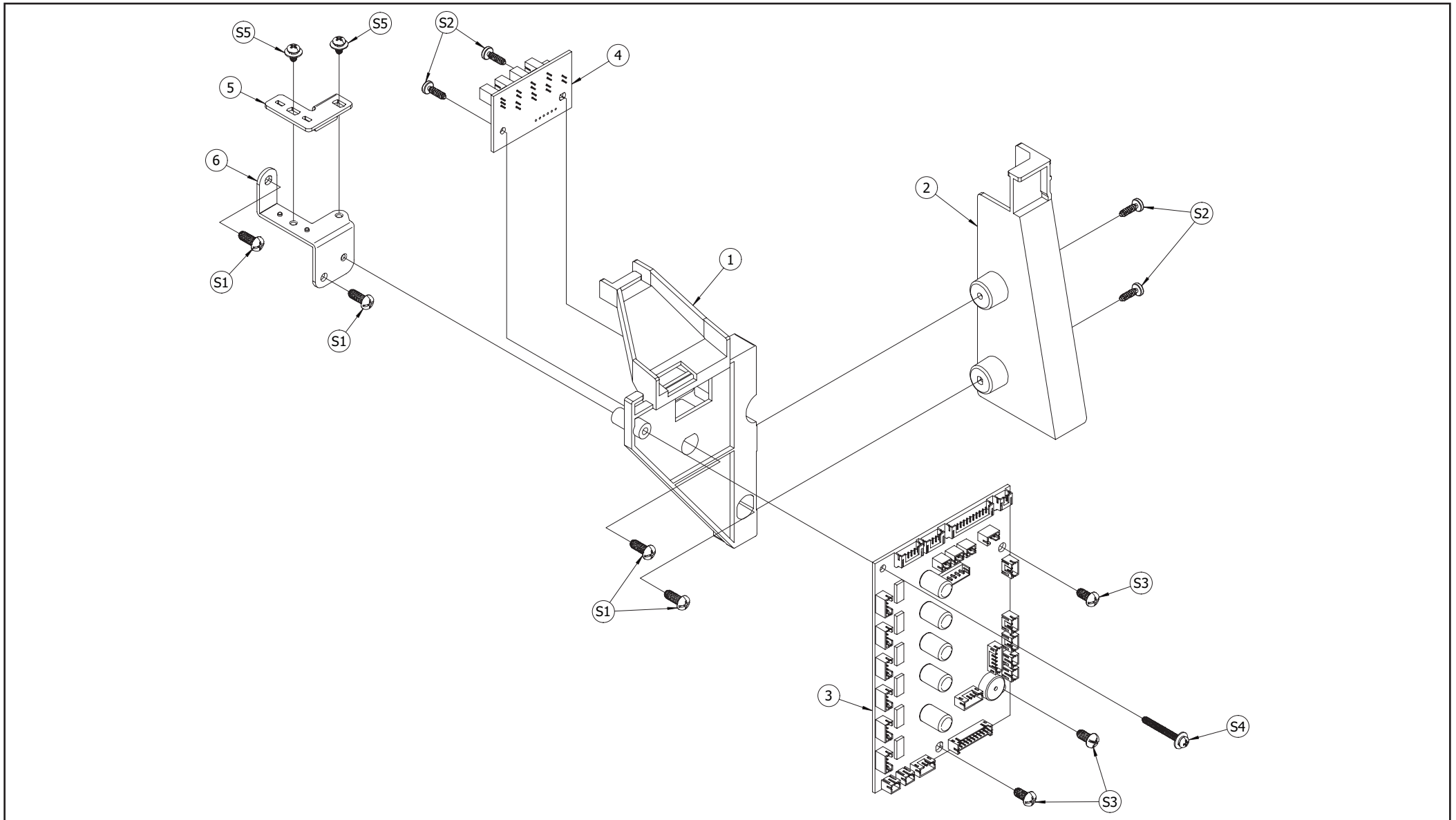
Bobbin Winder Assembly



Bobbin Winder Assembly

Item	Stock Number	Part Number
1	3501110102	Winding Bracket - Bobbin Winder
2	3501110101	Winding Main Body Assembly - Bobbin Winder
3	3501110110	Winding Thread Trimmer Body Cover - Bobbin Winder
4	3560010102	Blade - Machine Head
5	3501110109	Winding Thread Trimmer Body - Bobbin Winder
6	3501110104	Winding Bobbin Retaining Ring - Bobbin Winder
7	3501110112	Return Spring - Bobbin Winder
8	3501110103	Left Limit Bracket - Bobbin Winder
9	3501110107	Winding Detection Bracket - Bobbin Winder
10	3501110201	Winding Detection Signal Harness
11	3501110105	Winding Fixing Plate - Bobbin Winder
S1	8051000402	Phillips/Slotted Pan Head Screw M4×8
S2	8054000502	Phillips Pan Head Combination Screw M4×8
S3	8051000302	Phillips/Slotted Pan Head Screw M3×6

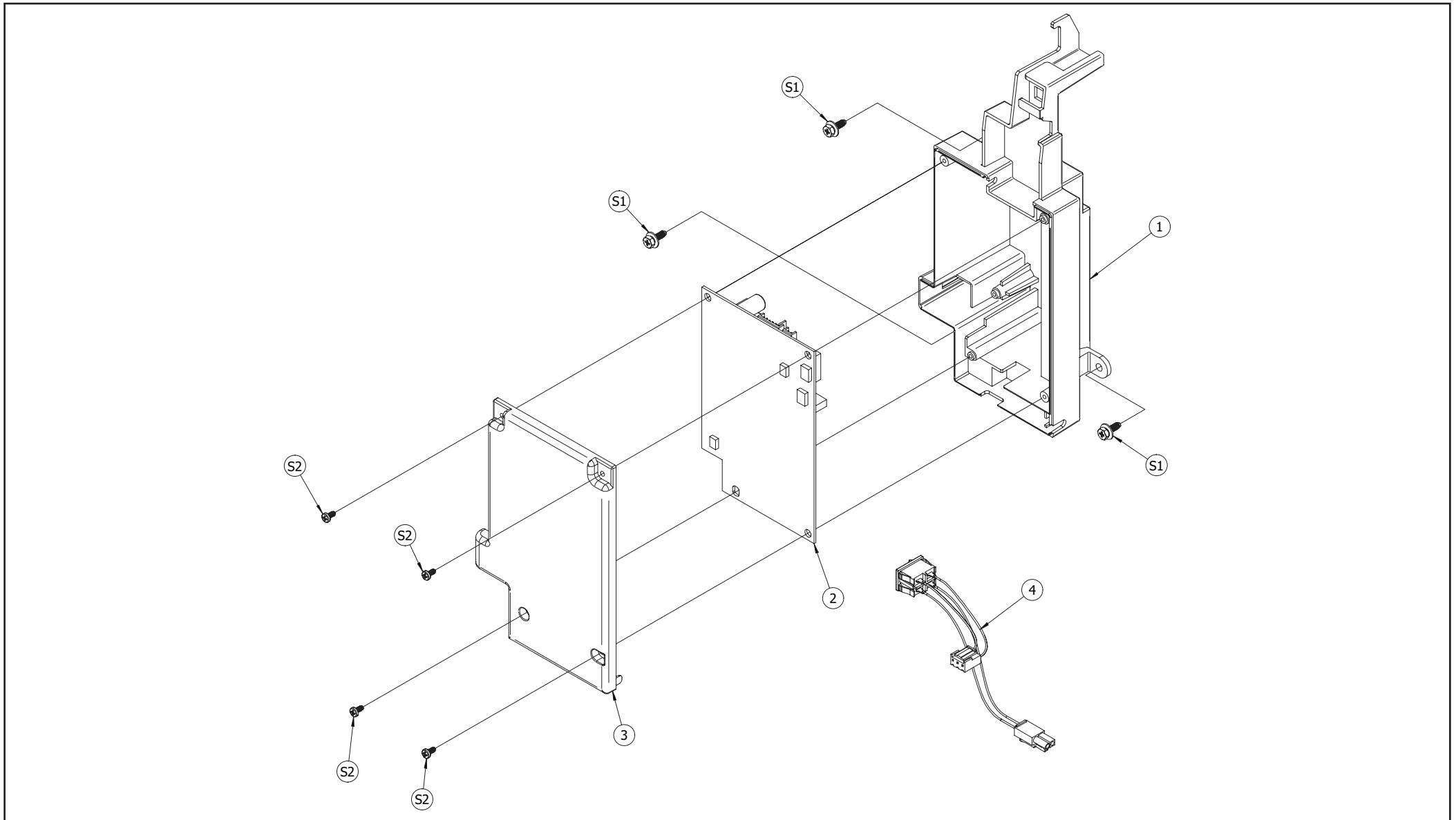
Main Shaft Circuit Board Fixing Assembly



Main Shaft Circuit Board Fixing Assembly

Item	Stock Number	Part Number
1	3501120101	Main Control Board Bracket - 5000
2	3501120102	Guard Bracket - Main Shaft Belt
3	3501120301	Main Control Board - 5000
4	3501120201	Main Shaft Grating - 5000
5	3501120104	Limit Plate - Synchronous Belt
6	3501120103	Guard Bracket - Synchronous Belt
S1	8051000403	Phillips Head Pan Head Screw M4×10
S2	8070000204	Phillips Head Round Head Flat Tail Self-Tapping Screw M3×10
S3	8051000402	Phillips Head Pan Head Screw M4×8
S4	8054000407	Phillips Pan Head Combination Screw M3×25
S5	8054000403	Phillips Pan Head Combination Screw M3×6

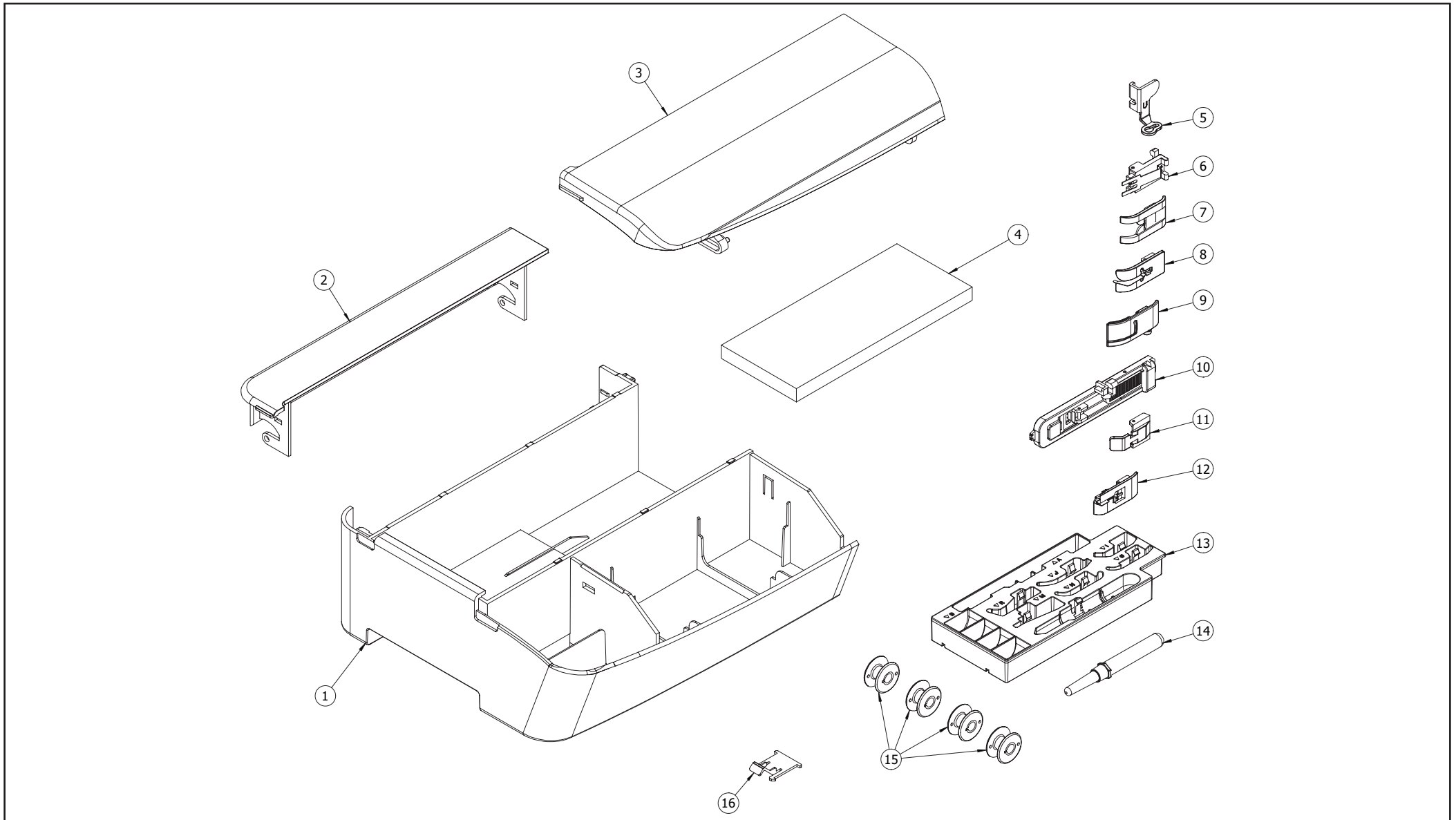
Switch Power Supply



Switch Power Supply

Item	Stock Number	Part Number
1	3501130101	Power Module Box -5000
2	3501130103	224V Switching Power Supply -5000
3	3501130102	Power Module Cover -5000
4	3501130201	Input Power Harness - AC Rocker Switch
S1	8054000505	10 Phillips Hexagon Combination Screw M4×12
S2	8070000201	Phillips Round Head Self-Tapping Screw with Flat Point M3×6

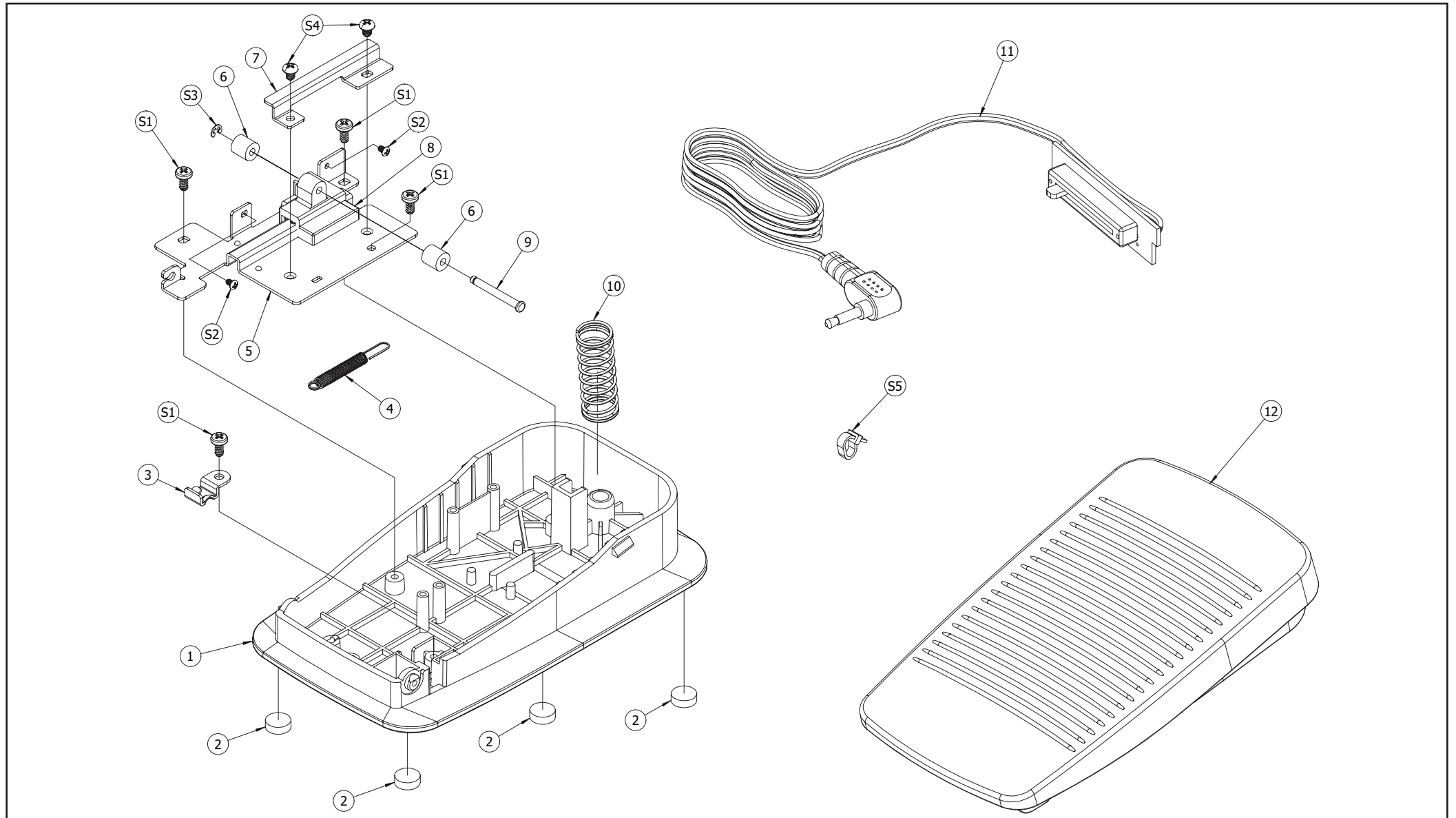
Accessory



Accessory

Item	Stock Number	Part Number
1	3501160101	Base Main Body - Accessory Box
2	3501160103	Rear Cover Plate - Accessory Box
3	3501160102	Front Cover Plate - Accessory Box
4	3501160210	Lining Cushion - Accessory Box
5	3560010141	U Embroidery Foot - Embroidery
6	3560010139	M Button Sewing Foot Assembly - Sewing
7	3560010138	N Alphabet Combination Foot Assembly - Sewing
8	3560010136	R Blind Stitch Foot Assembly - Sewing
9	3560010114	Foot Assembly - Sewing
10	3560010134	A Buttonhole Foot - Sewing
11	3560010135	I Zipper Foot Assembly - Sewing
12	3560010137	G Binder Foot Assembly - Sewing
13	3501160201	Presser Foot Storage Box - Accessory Box
14	3560010140	L Seam Ripper Assembly - Sewing
15	3560010120	Bobbin - Machine Head
16	3501160104	Latch Plate - Accessory Box

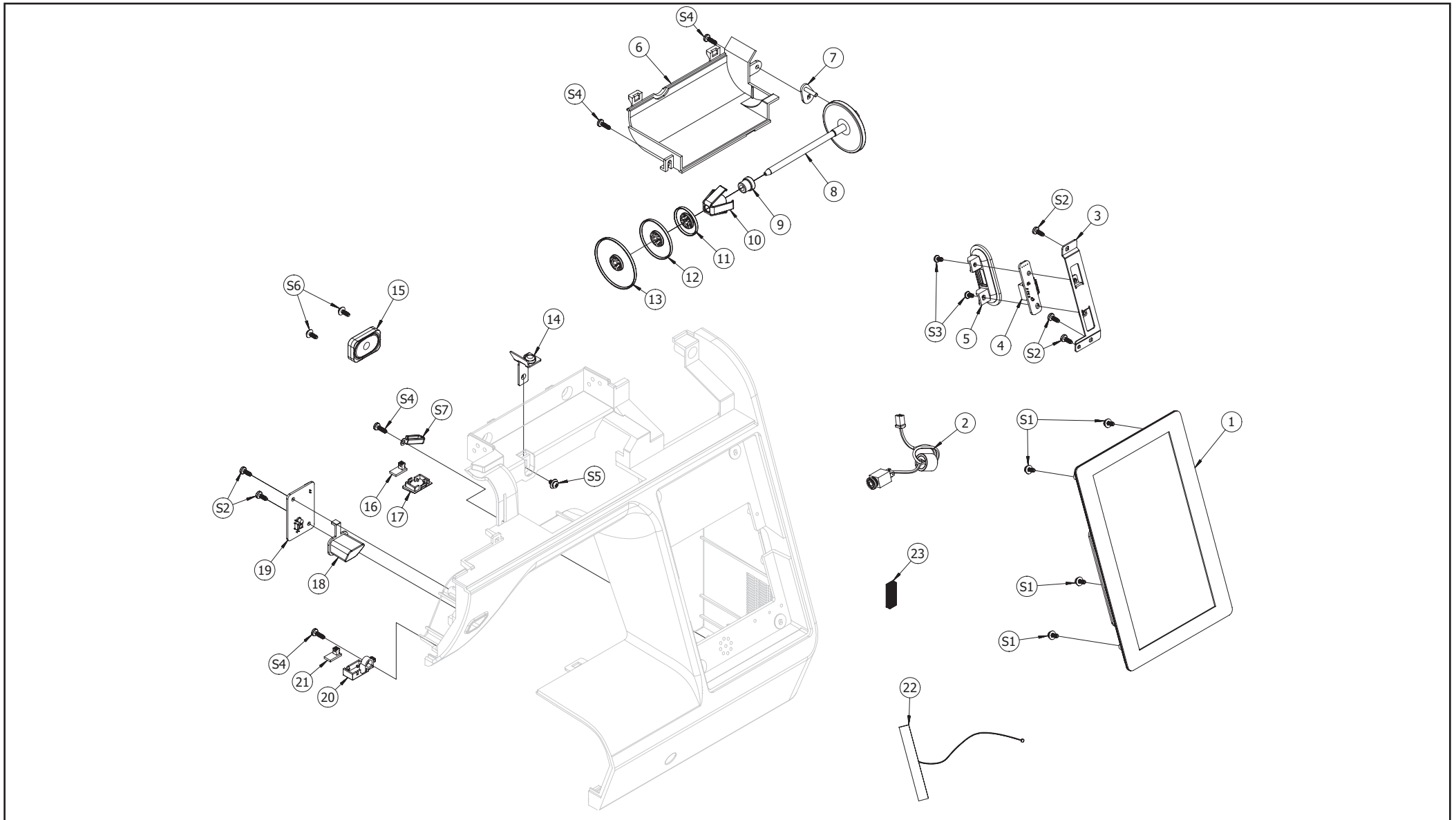
Foot Pedal Assembly



Foot Pedal Assembly

Item	Stock Number	Part Number
1	3501160310	Base Box - Foot Pedal Controller
2	3501160309	Foot Pad - Foot Pedal Controller
3	3501160303	Thread Guard Plate - Foot Pedal Controller
4	3501160305	Slider Spring - Foot Pedal Controller
5	3501160301	Foot Pedal Main Bracket - Foot Pedal Controller
6	3501160307	Roller - Foot Pedal Controller
7	3501160302	Slider Limiter Plate - Foot Pedal Controller
8	3501160306	Guide Slider - Foot Pedal Controller
9	3501160304	Roller Shaft Pin - Foot Pedal Controller
10	3501160308	Spring - Foot Pedal Controller
11	3501160401	Control Circuit Board - Foot Pedal Controller
12	3501160311	Top Cover - Foot Pedal Controller
S1	8070000201	Phillips head flat-tail self-tapping screw M3×6
S2	8054000101	Phillips Pan Head Screw M2×3
S3	8055000103	E-Type Retaining Ring $\phi 2 \times 0.4$
S4	8054000201	Phillips Pan Head Screw M3×4
S5	8039000601	Cable Tie 4×100

Front Cover



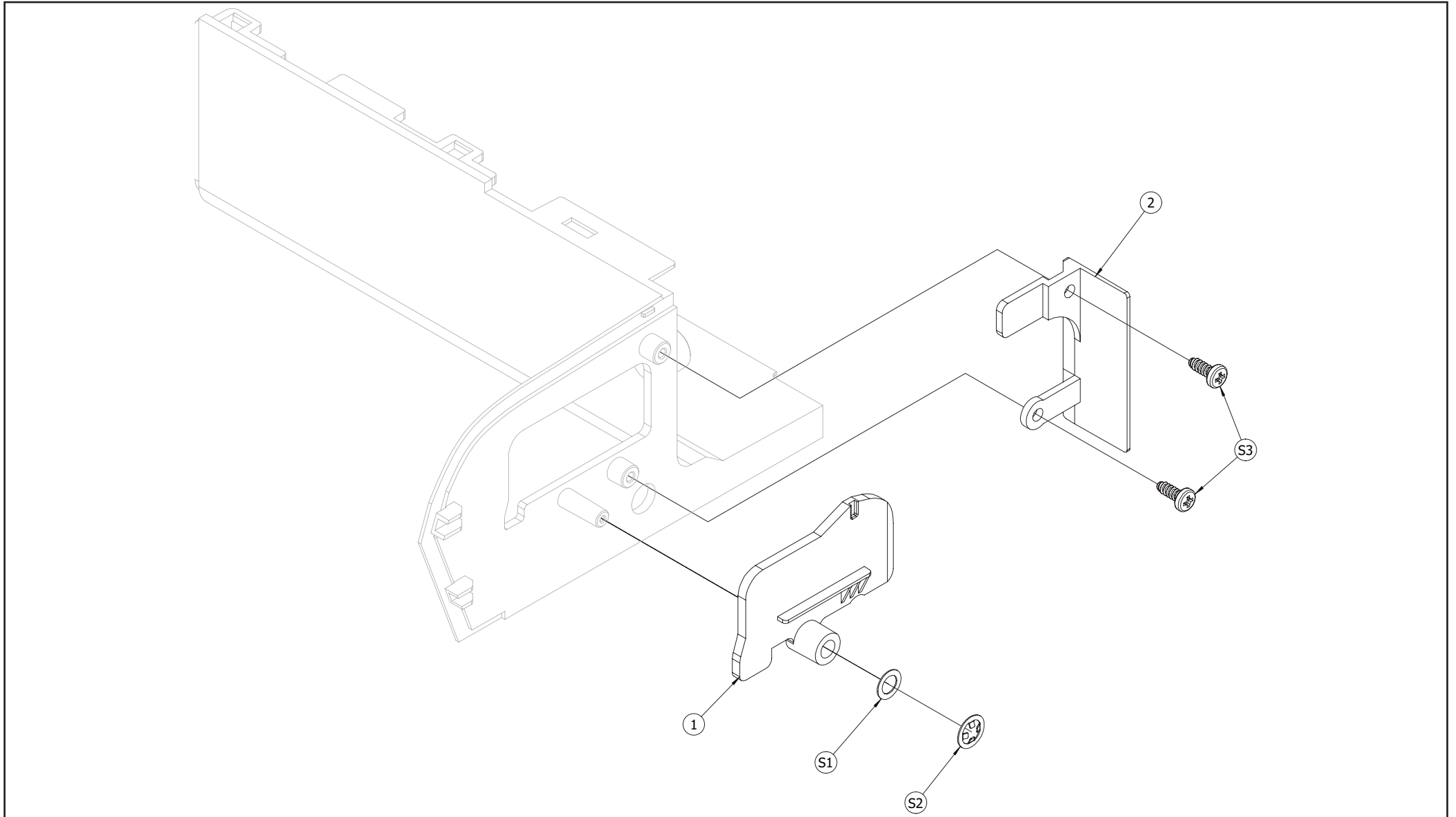
Front Cover

Item	Stock Number	Part Number
1	3501140704	Operation Panel - Front Cover Housing -5000
2	3501140301	Foot Pedal Signal Harness -5000
3	3501140801	USB Board Bracket - Front Cover Housing -5000
4	3501140802	USB Circuit Board - USB Board Bracket
5	3501140803	Decorative Trim - USB Port
6	3501140204	Appearance Cover - Built-in Thread Stand
7	3501140205	Rotating footplate assembly
8	3501140202	Thread Stand Bracket - Built-in Thread Stand
9	3501140215	Limit Hole Plug - Thread Cone
10	3501140214	Umbrella-shaped Fixing Bracket - Thread Cone
11	3501140203	25-Slot Thread Guide Cover - Built-in Thread Stand
12	3501140211	35-Slot Thread Guide Cover - Built-in Thread Stand
13	3501140212	5-Slot Thread Guide Cover - Built-in Thread Stand
14	3501140101	Thread Tension Assembly - Bobbin Winding
15	3501140209	Speaker - Front Cover Housing -5000
16	3501140401	Lighting Lamp R - Front Cover Housing -5000

Front Cover

Item	Stock Number	Part Number
17	3501140206	Lighting Lamp Bracket Middle - Front Cover Housing -5000
18	3501140207	Button - Front Cover Housing -5000
19	3501140601	Button Board - Front Cover Housing -5000
20	3501140208	Lighting Lamp Bracket Left - Front Cover Housing -5000
21	3501140501	Lighting Lamp L - Front Cover Housing -5000
22	3501140707	WiFi Dual-Band Antenna - Front Cover Housing
23	3501140213	Wire Organizer - Front Cover Housing -5000
S1	8051000502	Phillips/Slotted Pan Head Combination Screw M3×8
S2	8070000202	Phillips Round Head Self-Tapping Screw with Flat Point M3×8
S3	8054000202	Phillips Pan Head Screw M3×6
S4	8070000204	Phillips Round Head Self-Tapping Screw with Flat Point M3×10
S5	8054000403	Phillips Round Head Self-Tapping Screw with Flat Point M3×10
S6	8070000203	Phillips Round Head Self-Tapping Screw with Flat Washer and Flat Point M3×8
S7	8039000242	Fixing Clip - CW4-70mm

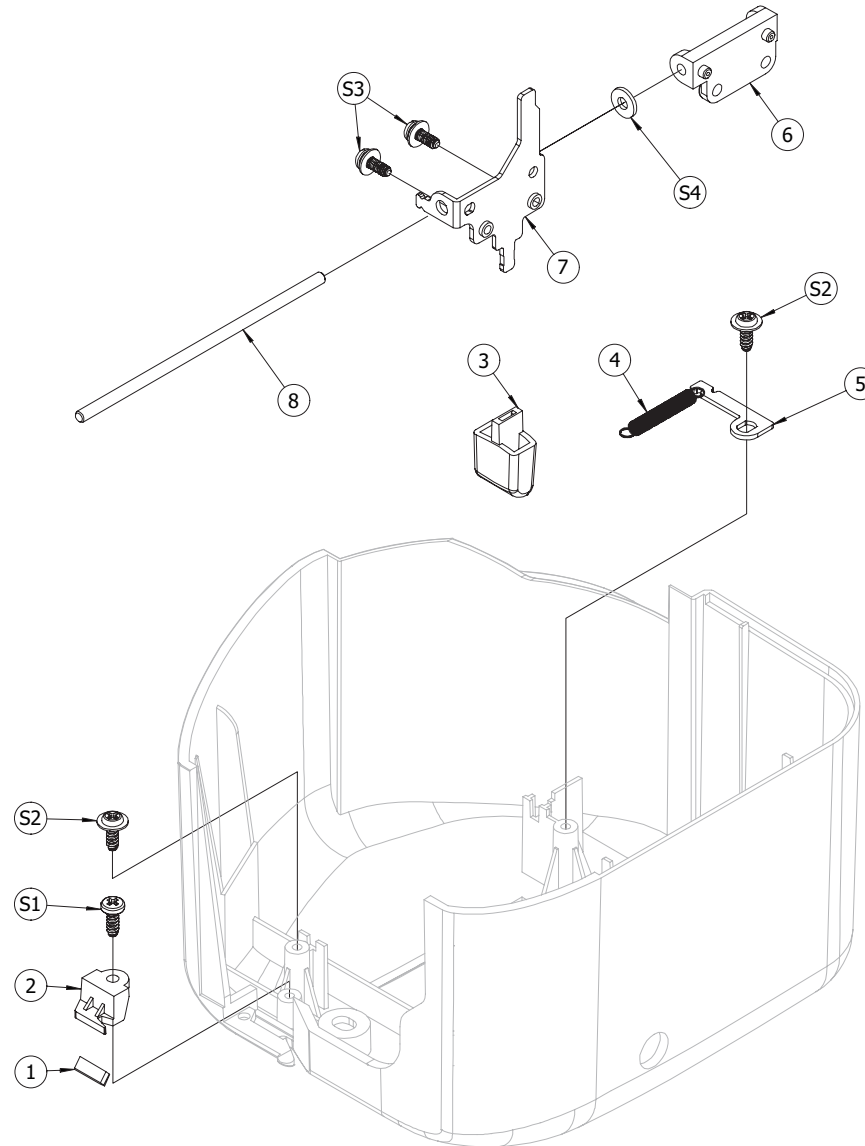
Lower Side Cover



Lower Side Cover

Item	Stock Number	Part Number
1	3501150202	Socket Decorative Panel - Connector
2	3501150203	Limiter Plate - Socket Decorative Panel
S1	8090000504	Graphite Nylon Washer M5×8×0.3
S2	8055000301	Bearing Clamp Retaining Ring M4×9
S3	8070000202	Phillips Round Head Self-Tapping Screw with Flat Point M3×8

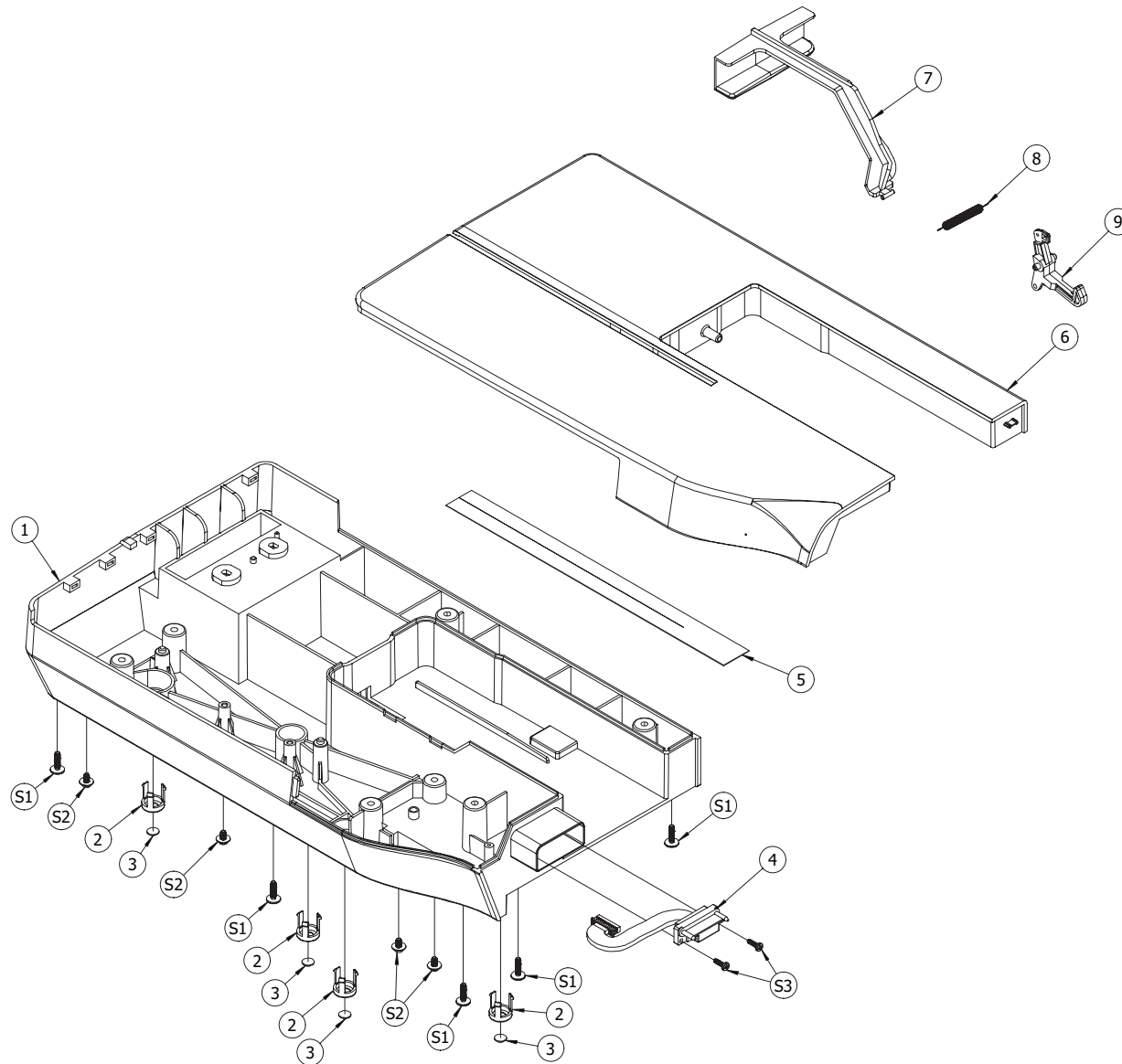
Head Lamp Cover assembly



Head Lamp Cover Assembly

Item	Stock Number	Part Number
1	3560010102	Blade - Machine Head
2	3501050302	Thread Trimmer Fixing Bracket - Lamp Housing
3	3501050205	Threading Handle - Lamp Housing
4	3501050206	Spring - Lamp Housing
5	3501050202	Threading Shaft Fixing Plate - Lamp Housing
6	3501050203	Threading Guide Slider - Lamp Housing
7	3501050201	Threading Chute Bracket - Lamp Housing
8	3501050204	Threading Guide Shaft - Lamp Housing
S1	8070000202	Phillips Round Head Self-Tapping Screw with Flat Point M3×8
S2	8070000207	8 Phillips Round Head Self-Tapping Screw with Flat Washer and Flat Point M3×8
S3	8051000502	Phillips/Slotted Pan Head Combination Screw M3×8
S4	8090000306	Silencing Rubber Pad M3×8×1

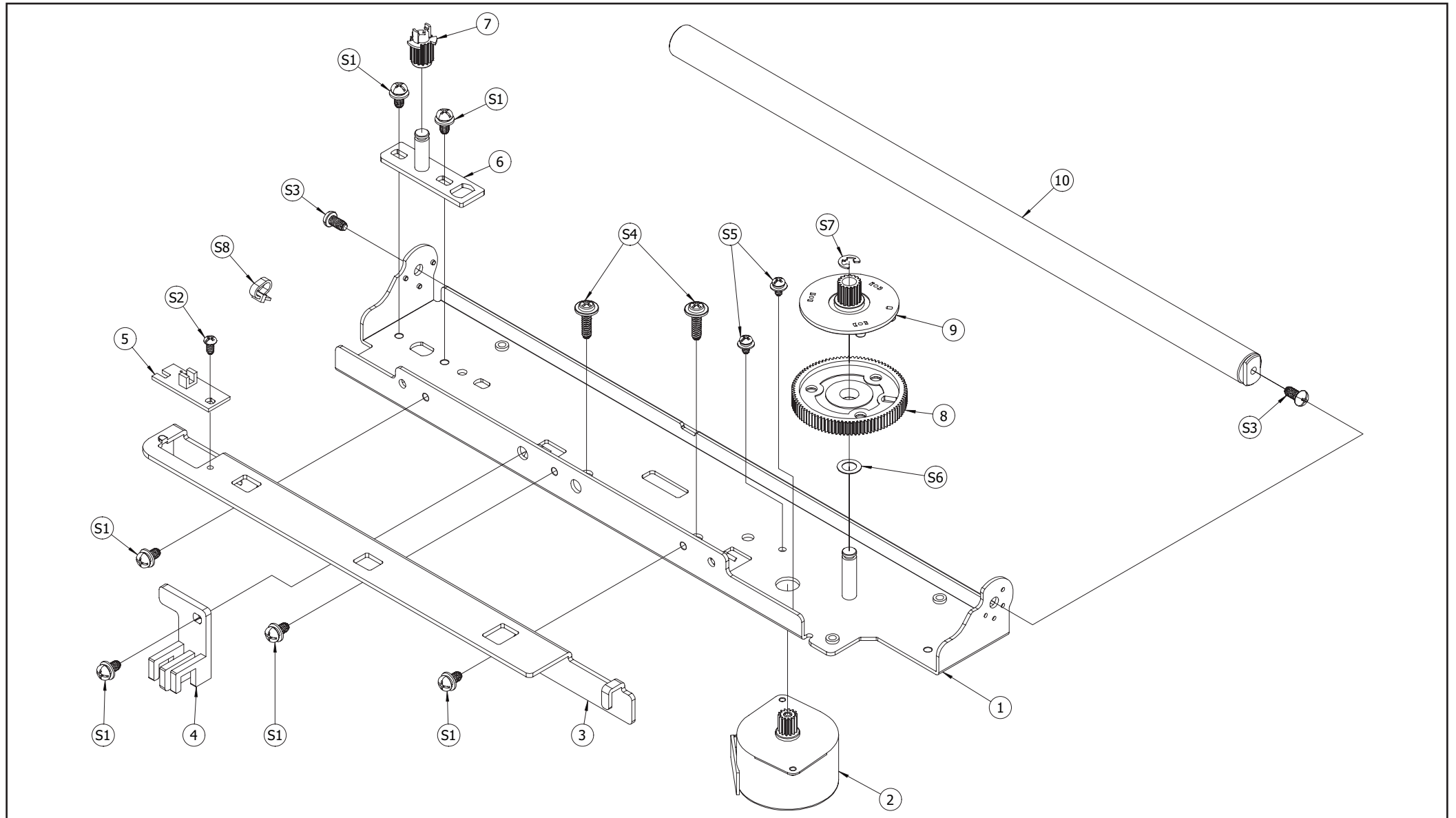
Embroidery Unit Bottom Case Assembly



Embroidery Unit Bottom Case Assembly

Item	Stock Number	Part Number
1	3501180901	Base Cover - Embroidery Unit
2	3501180906	Foot Cover - Base Cover - Embroidery Unit
3	3501180907	Round Foot Pad - Base Cover - Embroidery Unit
4	3501181004	Connector Harness - Embroidery Unit
5	3501180402	Flannelette (Short) - Top Cover Plate - Embroidery Unit
6	3501180401	Top Cover Plate - Embroidery Unit
7	3501180903	Release Handle - Base Cover - Embroidery Unit
8	3501180904	Lock Spring - Base Cover - Embroidery Unit
9	3501180902	Lock Spring - Base Cover - Embroidery Unit
S1	8070000206	Phillips Head Self-Tapping Screw with Washer, M4×14
S2	8054000503	Phillips Pan Head Combination Screw M4×8
S3	8070000204	Phillips Head Flat-tail Self-Tapping Screw M3×10

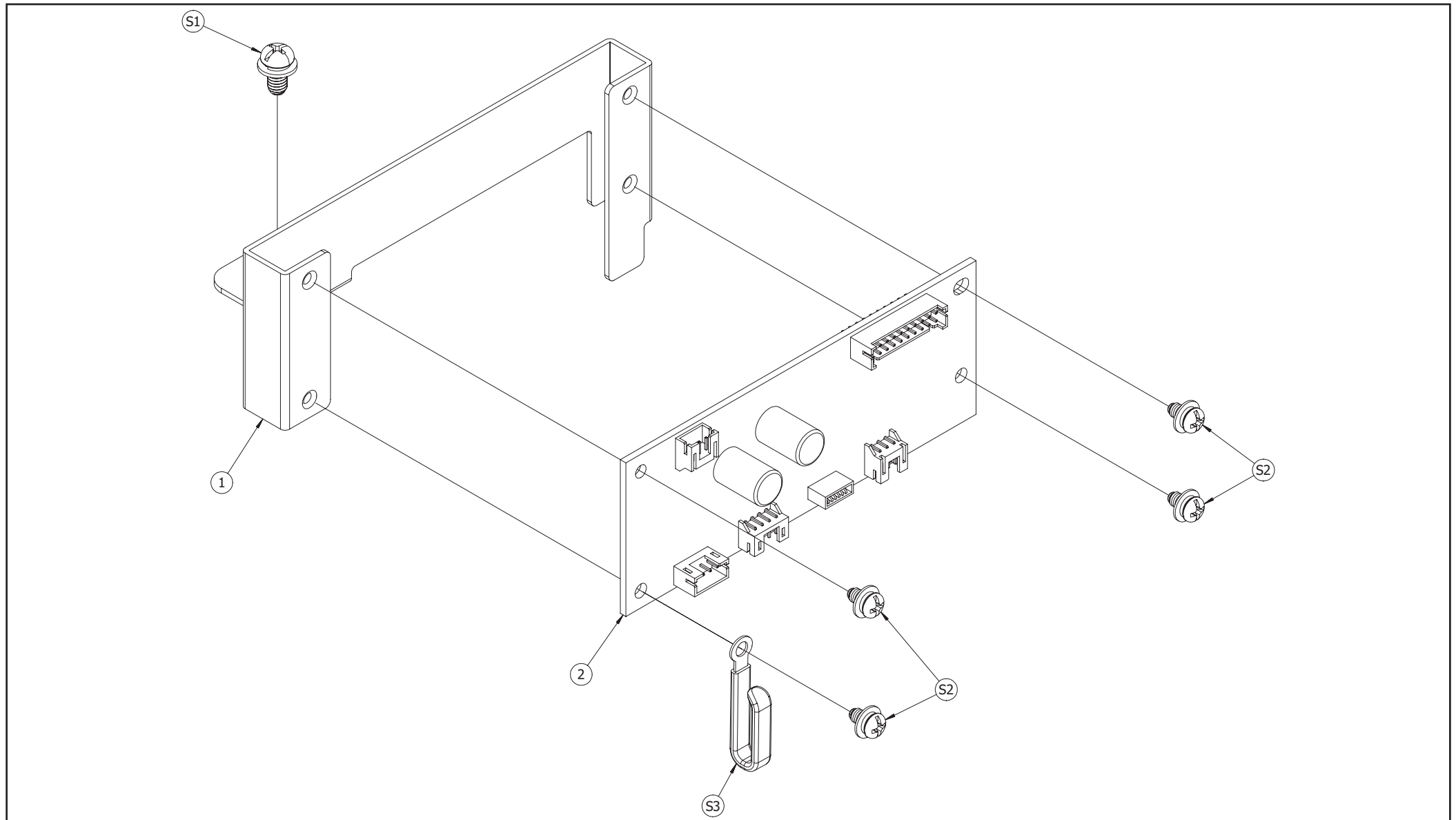
X Base Assembly



X Base Assembly

Item	Stock Number	Part Number
1	3501180101	X-Direction Main Bracket Assembly -5000
2	3501180102	PM42 Motor - X-Direction Rail
3	3501180106	X-Direction Detection Fixing Plate -5000
4	3501180107	Wire Guard - X-Direction Detection Fixing Plate -5000
5	3501180701	X-Direction Detection Board - Embroidery Unit
6	3560020101	XY-Direction Belt Gear Fixing Plate Assembly -5000
7	3560020102	Belt Gear -5000
8	3501180103	XY-Direction Motor Drive Gear -5000
9	3501180104	XY-Direction Belt Drive Gear -5000
10	3501180108	X-Direction Shaft -5000
S1	8051000601	Phillips/Slotted Pan Head Combination Screw M4×8
S2	8051000302	Phillips/Slotted Pan Head Screw M3×6
S3	8051000402	Phillips/Slotted Pan Head Screw M4×8
S4	8070000206	Phillips Head Self-Tapping Screw with Washer, M4×14
S5	8051000501	Phillips/Slotted Pan Head Combination Screw M3×6
S6	8090000607	Graphite Nylon Washer M6×10×0.3
S7	8055000105	E-Type Retaining Ring φ4×0.6
S8	8039000601	Cable Tie 4×100

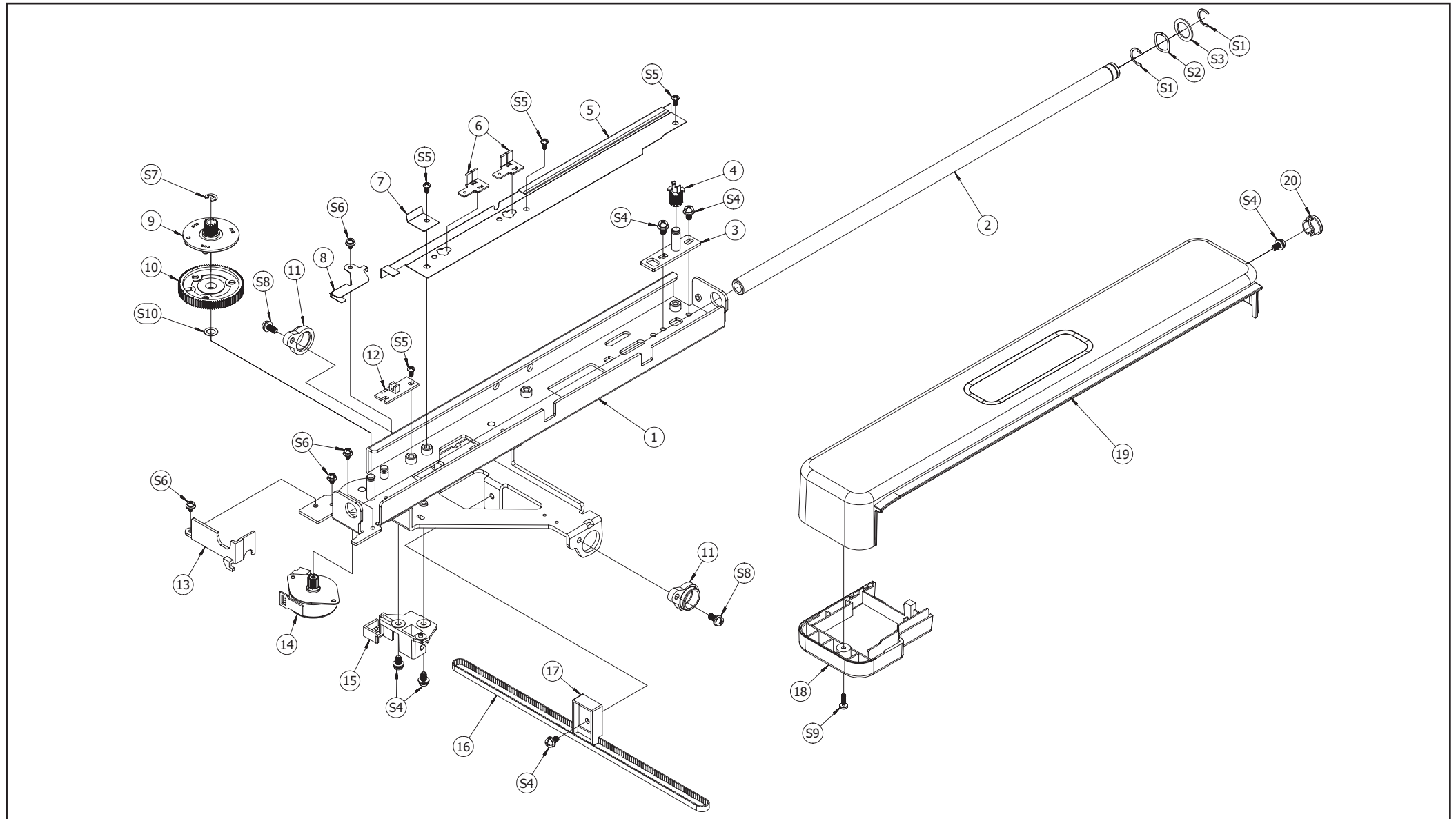
Embroidery Unit Drive Control Board Assembly



Embroidery Unit Drive Control Board Assembly

Item	Stock Number	Part Number
1	3501180601	Circuit Board Bracket - Embroidery Unit
2	3501180602	Adapter Circuit Board - Embroidery Unit
S1	8051000601	Phillips/Slotted Pan Head Combination Screw M4×8
S2	8051000501	Phillips/Slotted Pan Head Combination Screw M3×6
S3	8039000242	Fixing Clip - CW4-70mm

Y Guide Rail Main Bracket Assembly



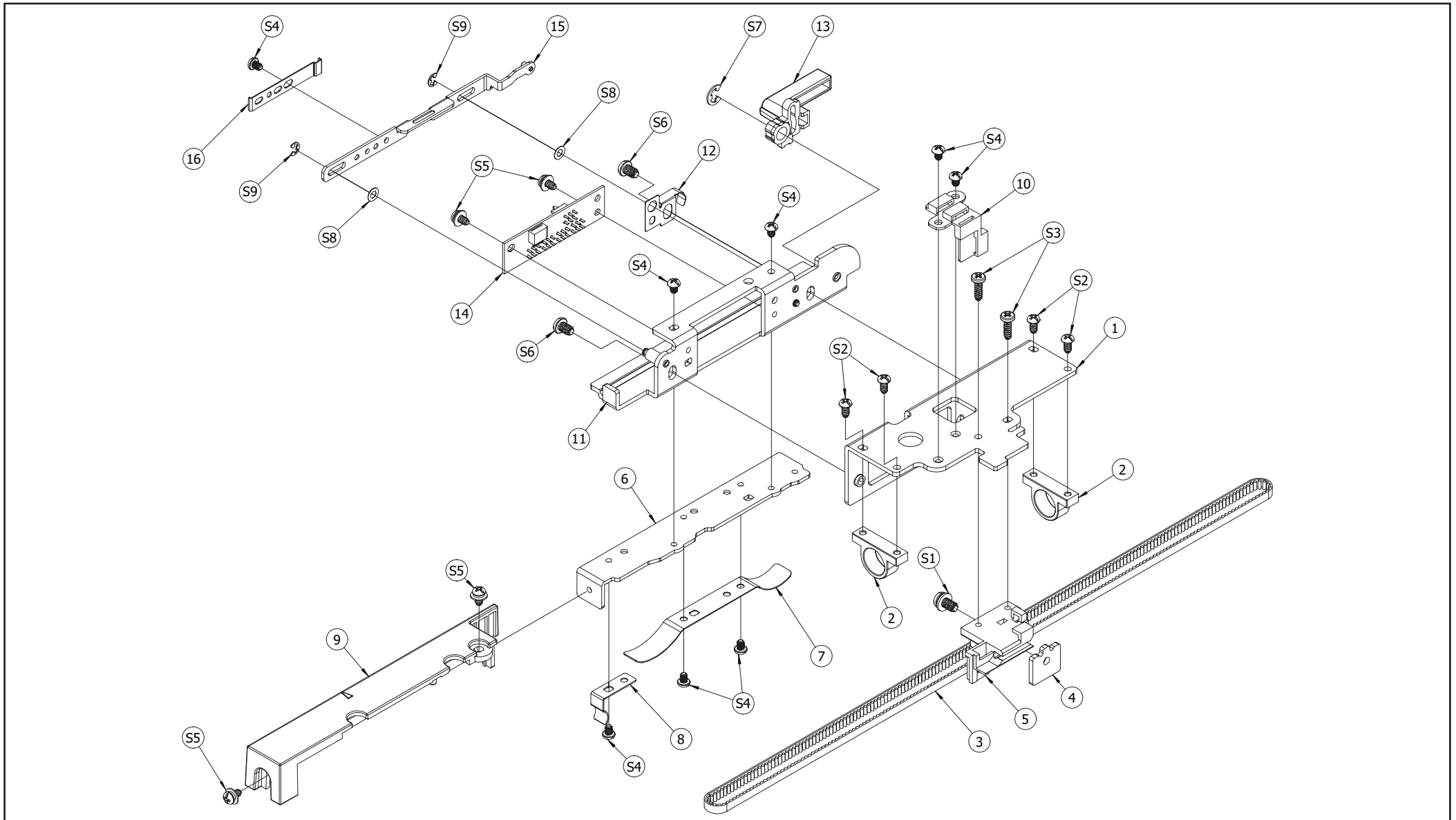
Y Guide Rail Main Bracket Assembly

Item	Stock Number	Part Number
1	3501180201	Y-Direction Main Bracket Assembly -5000
2	3501180219	Y-Direction Shaft -5000
3	3560020101	XY-Direction Belt Gear Fixing Plate Assembly -5000
4	3560020102	Belt Gear -5000
5	3501180211	Cable Guard Plate - Y-Direction
6	3501180212	Cable Clip - Y-Direction
7	3501180213	Cable Holding Plate - Y-Direction
8	3501180215	Wire Guard Plate - X-Direction Balance Bracket -5000
9	3501180104	XY-Direction Belt Drive Gear -5000
10	3501180103	XY-Direction Motor Drive Gear -5000
11	3501180204	Shaft Bronze Bushing - X-Direction
12	3501180801	Y-Direction Detection Board - Embroidery Unit
13	3501180210	Gear Guard Plate - Y-Direction
14	3501180205	PM35 Motor - Y-Direction Rail
15	3501180214	X-Direction Balance Bracket -5000
16	3501180105	X-Direction Belt -5000

Y Guide Rail Main Bracket Assembly

Item	Stock Number	Part Number
17	3501180217	Belt Clamp Plate - X-Direction
18	3501180221	Y-Direction Lower Cover -5000
19	3501180220	Y-Direction Upper Cover -5000
20	3006010241	Hole Plug - EM
S1	8055000203	C-Type Retaining Ring $\phi 12 \times 1$ (M1800)
S2	8090001203	Wave Washer M12 \times 18 \times 0.3
S3	8090001204	Flat Washer M12 \times 18 \times 1
S4	8051000601	Phillips/Slotted Pan Head Combination Screw M4 \times 8
S5	8051000302	Phillips/Slotted Pan Head Screw M3 \times 6
S6	8051000501	Phillips/Slotted Pan Head Combination Screw M3 \times 6
S7	8055000105	E-Type Retaining Ring $\phi 4 \times 0.6$
S8	8051000602	Phillips/Slotted Pan Head Combination Screw M4 \times 10
S9	8051000301	Phillips/Slotted Pan Head Screw M3 \times 4
S10	8070000204	Phillips Round Head Self-Tapping Screw with Flat Point M3 \times 10

Frame Lock Assembly



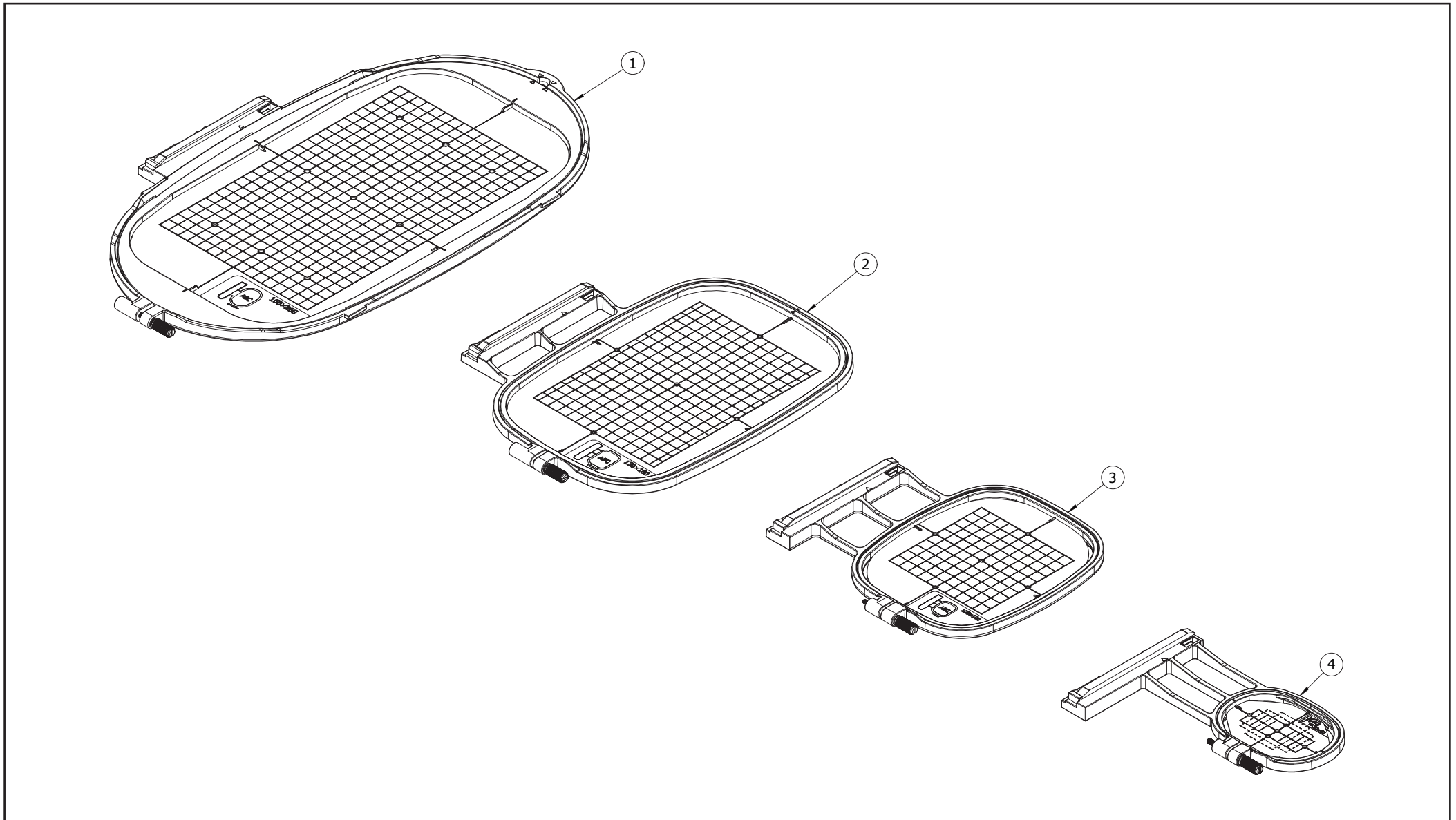
Frame Lock Assembly

Item	Stock Number	Part Number
1	3501180307	Y-Direction Slider Main Bracket -5000
2	3501180308	Shaft Bronze Bushing - Y-Direction
3	3501180209	Y-Direction Belt -5000
4	3501180311	Belt Lock Plate - Y-Direction
5	3501180312	Frame Lock Pressure Plate Bracket - Frame Lock Assembly
6	3501180310	Belt Bracket - Y-Direction
7	3501180314	Frame Lock Pressure Piece- Frame Lock Assembly
8	3501180313	Frame Lock Limiter Piece- Frame Lock Assembly
9	3501180315	Frame Lock Decorative Cover - Frame Lock Assembly
10	3501180309	Cable Guard Bracket - Frame Lock Assembly
11	3501180301	Frame Lock Bracket Assembly - Frame Lock Assembly
12	3501180303	Handle Return Spring Plate - Frame Lock Assembly
13	3501180305	Frame Lock Handle - Frame Lock Assembly
14	3501180302	Embroidery Frame Detection Board - Frame Lock Assembly
15	3501180304	Frame Lock Drive Plate Assembly - Frame Lock Assembly
16	3501180306	Frame Lock Sensor Limiter Plate - Frame Lock Assembly

Frame Lock Assembly

Item	Stock Number	Part Number
S1	8051000601	Phillips/Slotted Pan Head Combination Screw M4×8
S2	8051000302	Phillips/Slotted Pan Head Screw M3×6
S3	8070000204	Phillips Head Flat-Tail Self-Tapping Screw M3×10
S4	8051000301	Phillips/Slotted Pan Head Screw M3×4
S5	8051000501	Phillips/Slotted Pan Head Combination Screw M3×6
S6	8051000401	Phillips/Slotted Pan Head Screw M4×6
S7	8055000105	E-Type Retaining Ring $\phi 4 \times 0.6$
S8	8090000303	Graphite Nylon Washer M3×6×0.2
S9	8055000106	E-Type Retaining Ring $\phi 2.5 \times 0.4$

Frame



Frame

Item	Stock Number	Part Number
1	3501182160	Large Frame Assembly -5000
2	3501182060	Medium-Large Frame Assembly -5000
3	3501160661	Medium Frame Assembly -5000
4	3501160662	Small Frame Assembly -5000

Electric Control Section

