

DTF-1201E Parts Book

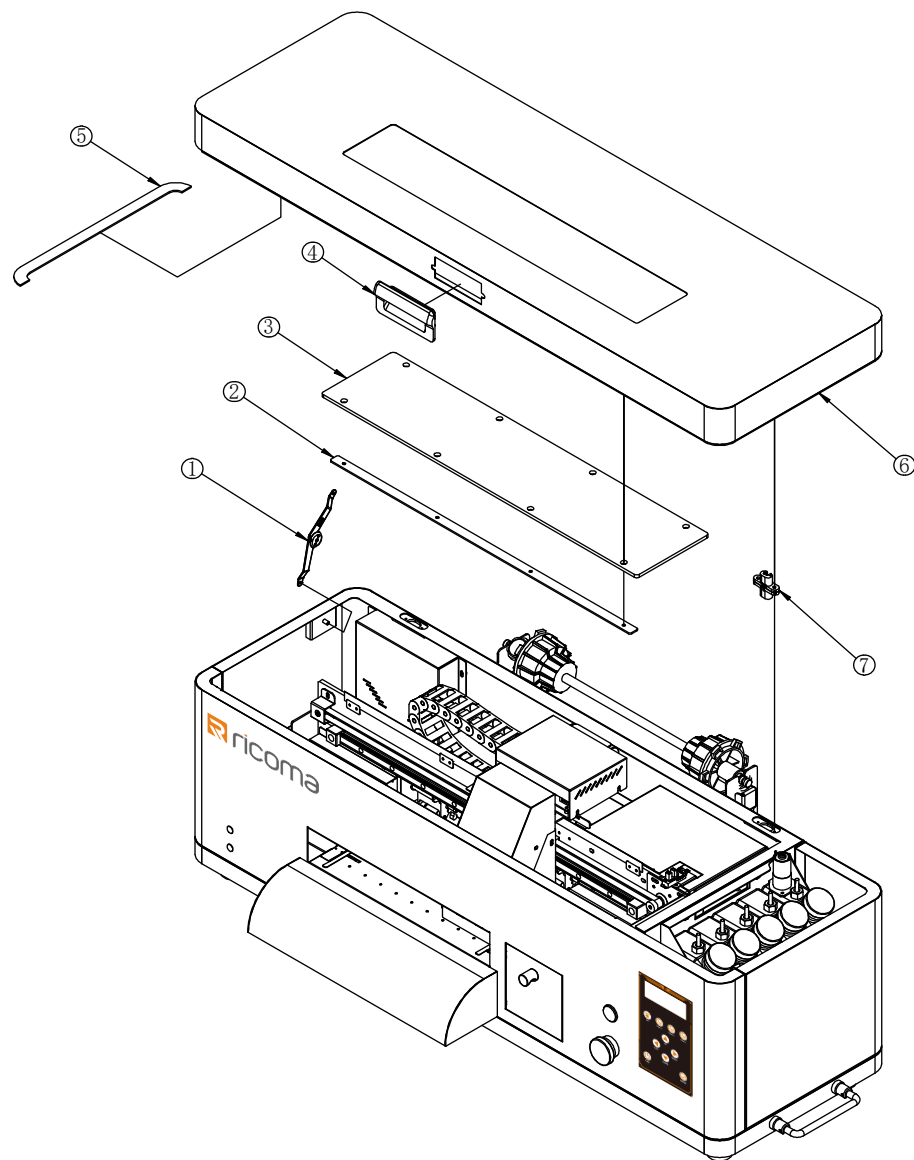


(2025.12.01)

Catalogue

| | |
|----------------------------------|-------|
| Catalogue | 1 |
| Top cover section | 2-3 |
| Paper feeding section | 4-5 |
| Ink tank section | 6-7 |
| Front machine rack section | 8-9 |
| Electric box section | 10-11 |
| Y-Drive Section | 12-13 |
| X-Drive Section | 14-15 |
| Trolley section | 16-18 |

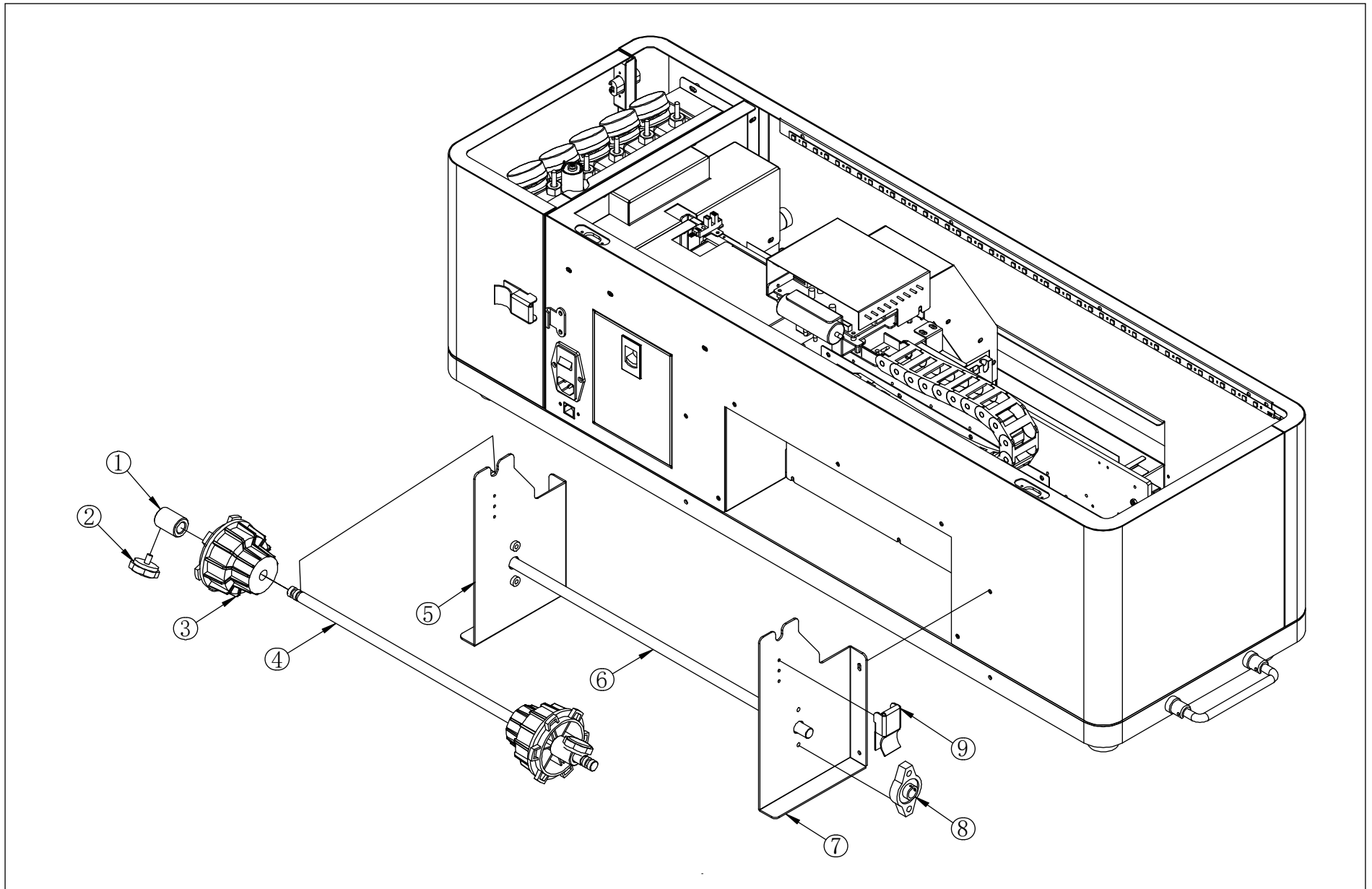
Top cover section



Top cover section Table

| Item | Part number | Part name |
|------|---------------|-----------------------------------|
| 1 | 24-20-HB-0030 | Supporting hinge |
| 2 | 24-20-BJ-0045 | Acrylic plate |
| 3 | 24-20-JJ-0005 | Acrylic panel |
| 4 | 5070100132 | Embedded handle |
| 5 | 24-20-HB-0004 | 1mm high-temperature silicone pad |
| 6 | 24-20-BJ-0011 | Top cover |
| 7 | 52012101-01 | Hidden hinge |

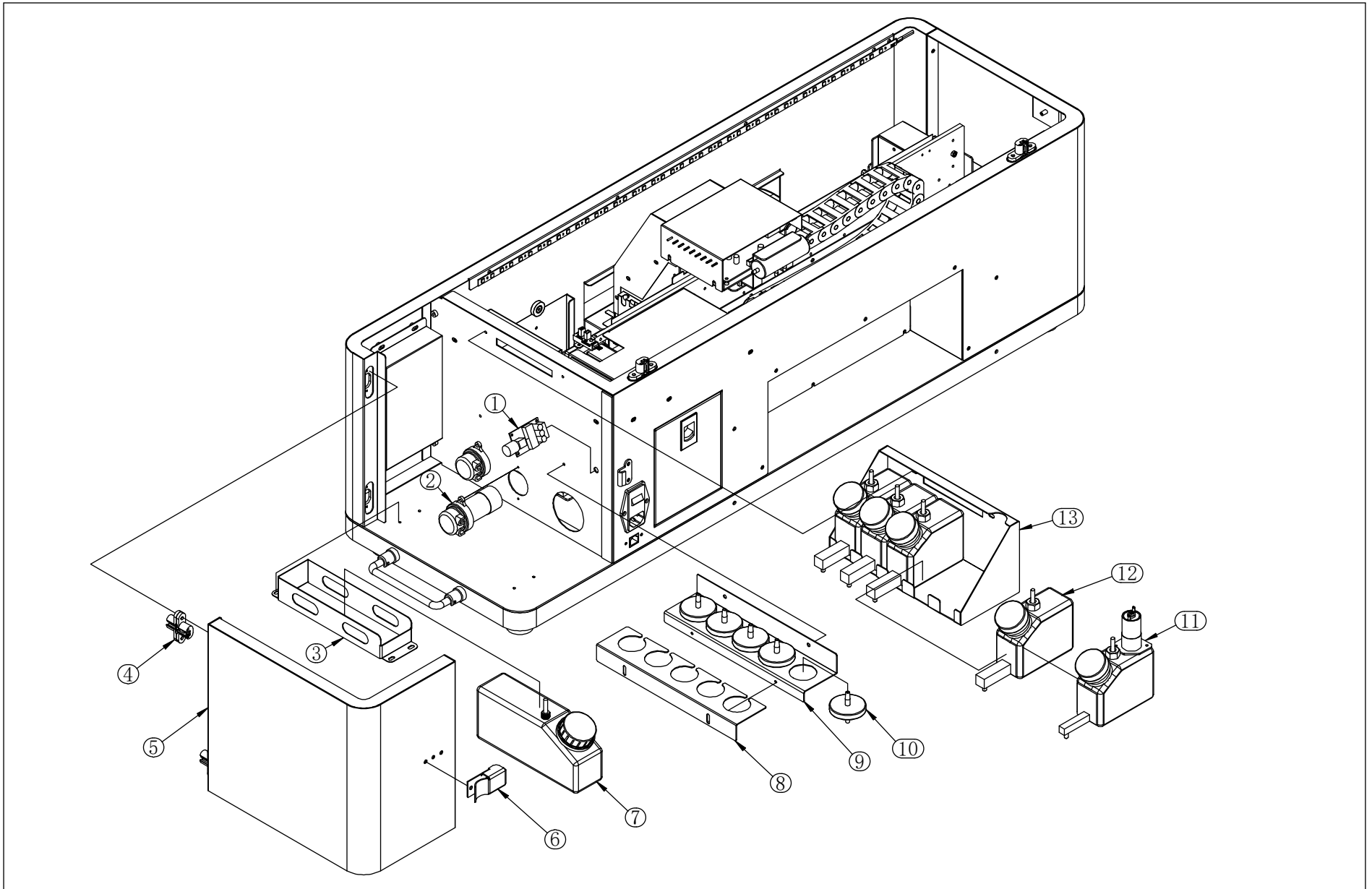
Paper feeding section



Paper feeding section Table

| Item | Part number | Part name |
|------|---------------|----------------------------|
| 1 | 24-20-JJ-0003 | Paper feeding limit sleeve |
| 2 | 80830610 | Hex screw |
| 3 | 24-20-HB-0002 | Paper feeding roller |
| 4 | 24-20-JJ-0002 | Paper holding shaft |
| 5 | 24-20-BJ-0001 | Paper feeding bracket-L |
| 6 | 24-20-JJ-0001 | Rear tension rod |
| 7 | 24-20-BJ-0002 | Paper feeding bracket-R |
| 8 | 80031205 | Universal bearing |
| 9 | 52015201-01 | Door latch |

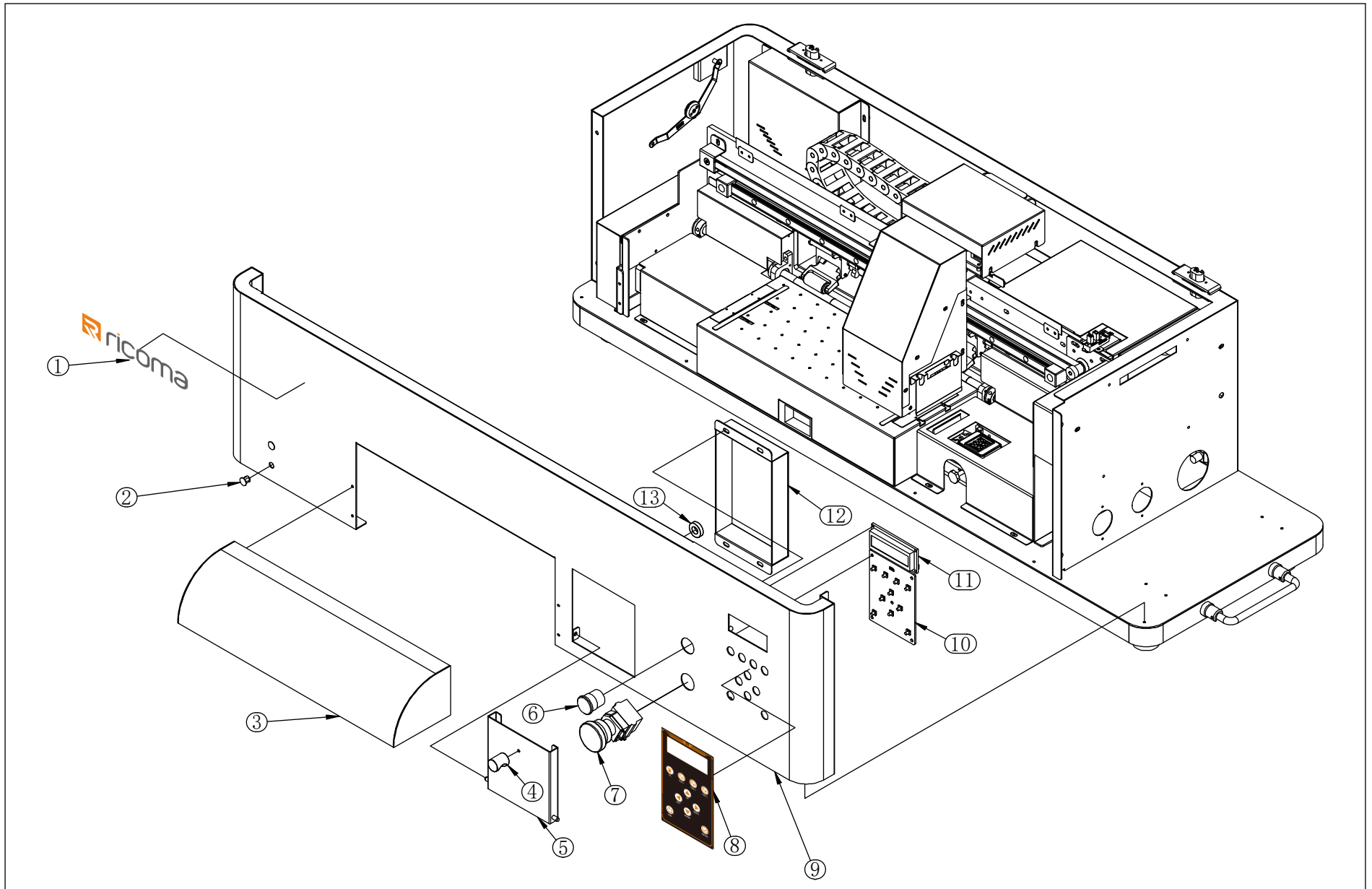
Ink tank section



Ink tank section Table

| Item | Part number | Part name |
|------|---------------|-------------------------------|
| 1 | 52100901-01 | PWM DC motor speed controller |
| 2 | 52100801-01 | Peristaltic pump |
| 3 | 24-20-BJ-0053 | Waste ink tank bracke |
| 4 | 52012101-01 | Hidden hinge |
| 5 | 24-20-BJ-0004 | Side door cover |
| 6 | 52015201-01 | Door latch |
| 7 | 24-20-HB-0019 | 550ml waste ink tank |
| 8 | 24-20-BJ-0051 | Filter fixing plate |
| 9 | 24-20-BJ-0050 | Filter mounting plate |
| 10 | 52050201-01 | Filter |
| 11 | 24-20-HB-0008 | White ink tank |
| 12 | 24-20-HB-0009 | Color ink tank |
| 13 | 24-20-BJ-0006 | Ink tank bracket |

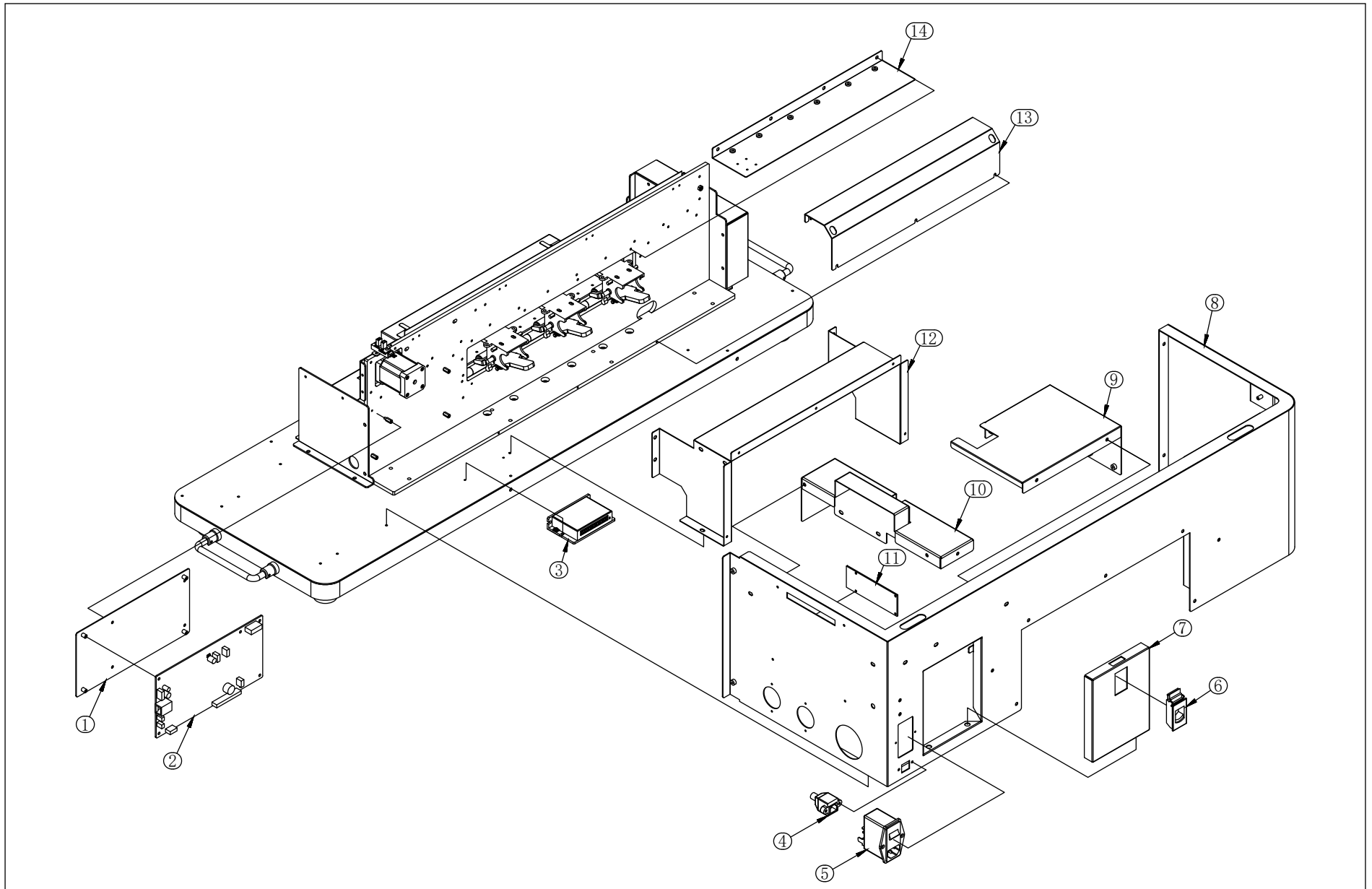
Front machine rack section



Front machine rack section Tabl

| Item | Part number | Part name |
|------|---------------|-----------------------------|
| 1 | 24-20-HB-0007 | Ricoma logo label |
| 2 | 24-20-HB-0005 | Hole plug |
| 3 | 24-20-BJ-0009 | Front printing cover |
| 4 | 52011805-01 | Round handle |
| 5 | 24-20-BJ-0008 | Ink stack maintenance cover |
| 6 | 80350105 | Starting switch |
| 7 | 80350403 | Emergency stop |
| 8 | 52013603-01 | Button sticker |
| 9 | 24-20-BJ-0010 | Front cover |
| 10 | 52101104-0103 | Key board |
| 11 | 1104-0104 | LCD screen |
| 12 | 24-20-BJ-0059 | Key board cover |
| 13 | 24-20-HB-0022 | Ring magnet |

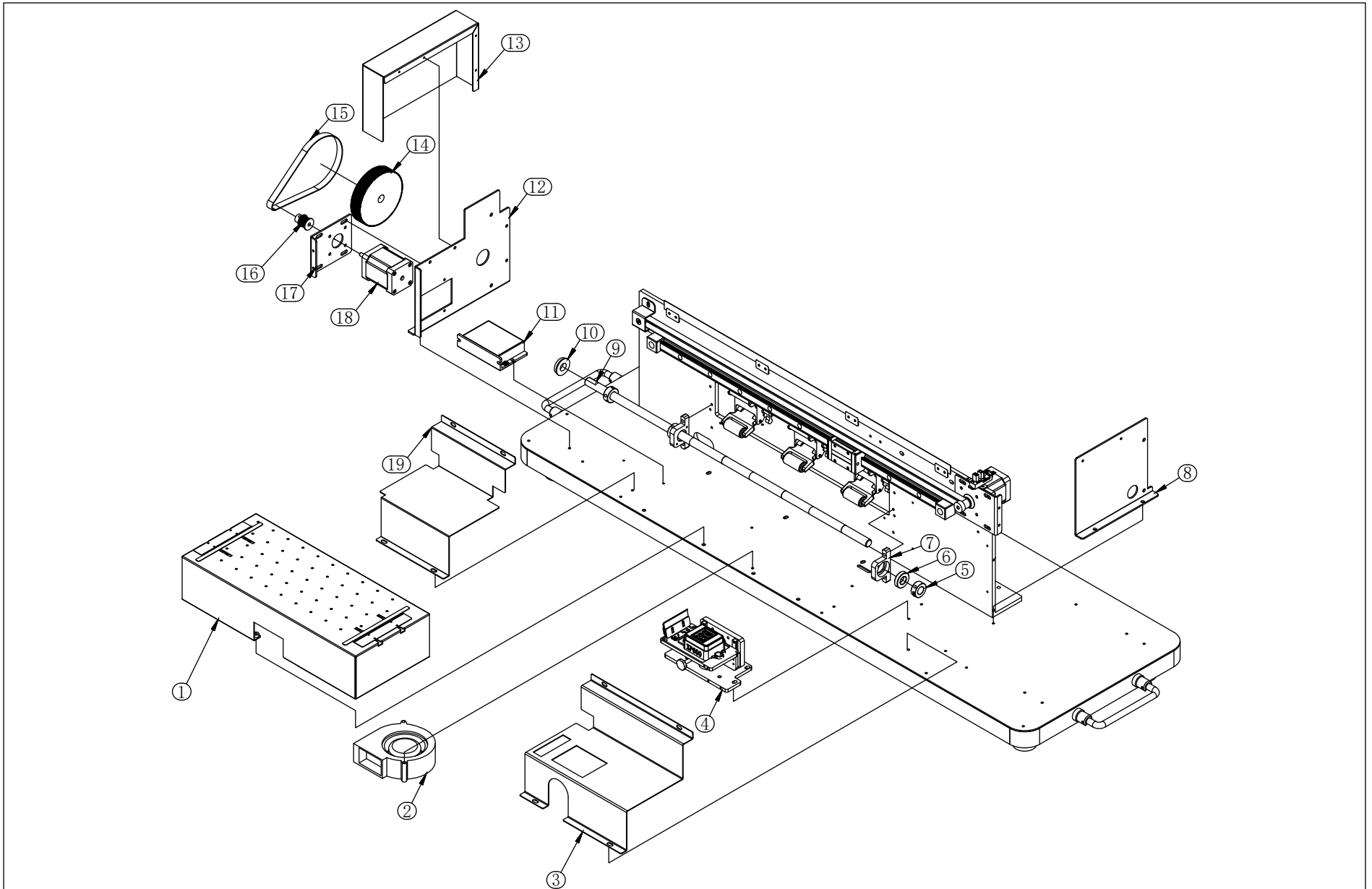
Electric box section



Electric box section Table

| Item | Part number | Part name |
|------|----------------|------------------------------------|
| 1 | 24-20-BJ-0054 | Main board mounting plate |
| 2 | 24-16-PA-00091 | Main board |
| 3 | 24-20-HB-0010 | DM422s driver |
| 4 | 2419-TS-0049 | RJ45 Network cable extension cable |
| 5 | 52100401-01 | Power filter socket |
| 6 | 23-26-PA-00040 | Retractable buckle |
| 7 | 24-20-BJ-0003 | Electric box cover |
| 8 | 24-20-BJ-0014 | Side cover |
| 9 | 24-20-BJ-0055 | Main board cover |
| 10 | 24-20-BJ-0064 | Alarm board cover |
| 11 | 52100201-01 | 8-position ink out alarm board |
| 12 | 24-20-BJ-0016 | Connecting cover |
| 13 | 24-20-BJ-0015 | Concealed wire casing |
| 14 | 24-12-BJ-0026 | Cable cover |

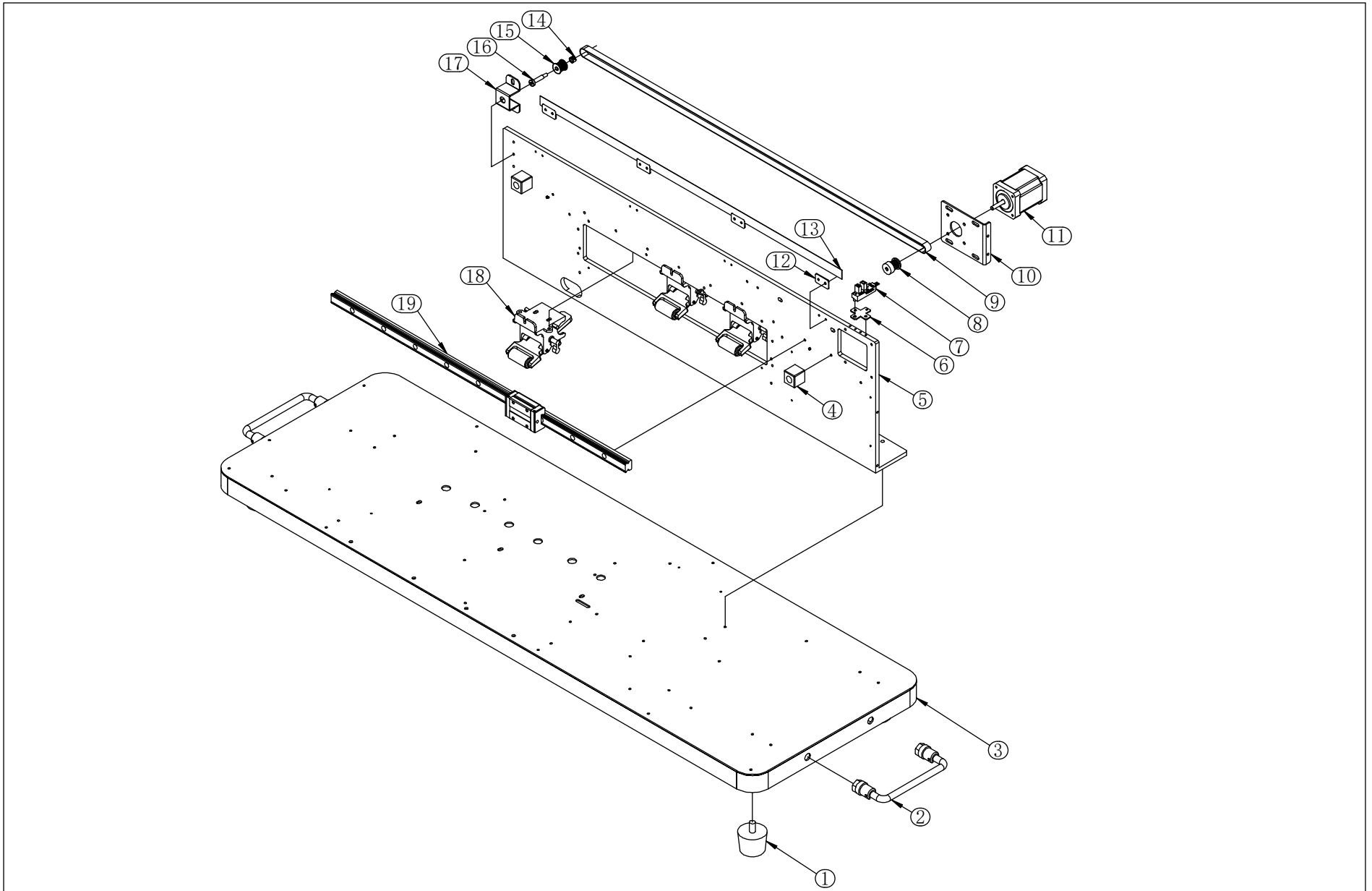
Y-Drive Section



Y-Drive Section Table

| Item | Part number | Part name |
|------|---------------|-------------------------------|
| 1 | 24-20-BJ-0031 | Suction cover |
| 2 | 52101004-01 | 24V DC fan with suction plate |
| 3 | 24-20-BJ-0058 | Stainless steel baffle-R |
| 4 | 24-20-HB-0029 | XP600 Ink stack |
| 5 | 24-20-HB-0025 | Bearing retaining ring |
| 6 | 80031221 | 6901 Bearing |
| 7 | 24-20-JJ-0010 | Bearing base |
| 8 | 24-20-BJ-0027 | Drive bracket-R |
| 9 | 24-20-JJ-0009 | Ratchet Shaft |
| 10 | 80031203 | Flange bearing |
| 11 | 24-20-HB-0010 | DM422s Driver |
| 12 | 24-20-BJ-0028 | Drive bracket-L |
| 13 | 24-20-BJ-0052 | Gear housing |
| 14 | 80022102 | Paper feeding wheel |
| 15 | 24-20-HB-0015 | Rubber timing belt |
| 16 | 24-20-HB-0014 | Pulley |
| 17 | 24-20-BJ-0056 | Motor mounting bracket |
| 18 | 24-20-HB-0011 | 42 CM08 Motor |
| 19 | 24-20-BJ-0057 | Stainless steel baffle-L |

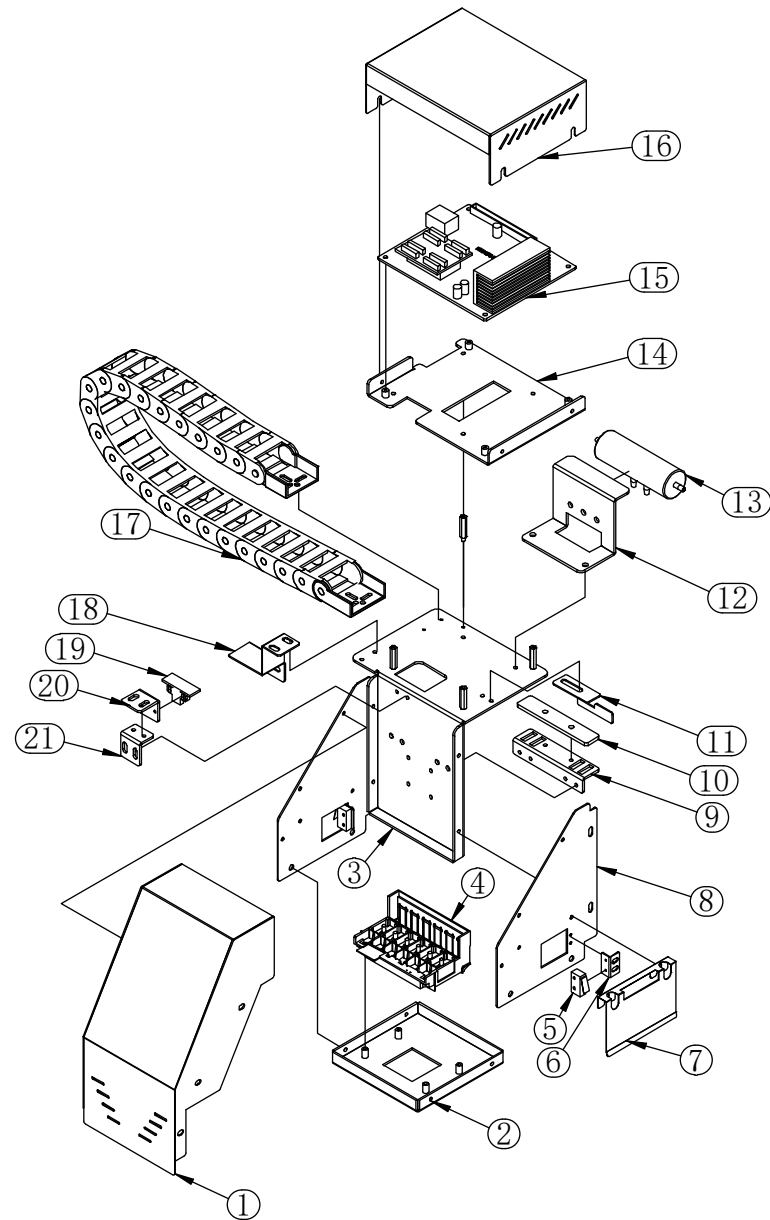
X-Drive Section



X-Drive Section Table

| Item | Part number | Part name |
|------|---------------|--------------------------------|
| 1 | 52013902-01 | Rubber feet |
| 2 | 52011803-01 | Handle |
| 3 | 24-20-BJ-0032 | Base plate |
| 4 | 53010128-01 | Guide rail limit block |
| 5 | 24-20-JJ-0008 | Drive beam |
| 6 | 24-20-BJ-0048 | Limit sensor bracket |
| 7 | 52100101-01 | Limit sensor |
| 8 | 24-20-HB-0012 | Pulley |
| 9 | 24-20-HB-0001 | Belt |
| 10 | 24-20-BJ-0056 | Motor mounting bracket |
| 11 | 24-20-HB-0011 | 42 CM08 Motor |
| 12 | 24-20-BJ-0029 | Bracket-Encoder strip |
| 13 | 24-20-HB-0006 | Encoder strip-L575 |
| 14 | 24-20-HB-0024 | Stainless steel bushing |
| 15 | 80024202 | AF type wheel |
| 16 | 24-20-HB-0021 | Hex socket head cap screws |
| 17 | 24-20-BJ-0049 | Pulley cover |
| 18 | 24-20-HB-0018 | Paper pressing roller assembly |
| 19 | 24-20-HB-0017 | THK Guide rail |

Trolley section



Trolley section Table

| Item | Part number | Part name |
|------|----------------|--------------------------------|
| 1 | 24-20-BJ-0043 | Trolley cover |
| 2 | 24-20-BJ-0022 | Print head base plate |
| 3 | 24-20-BJ-0021 | Trolley bracket |
| 4 | 24-16-PA-00143 | F1080 Print head- Epson -F1080 |
| 5 | 52100701-01 | Travel limit switch |
| 6 | 23-26-PA-00079 | Micro switch mounting bracket |
| 7 | 24-20-BJ-0042 | Trolley travel limit plate |
| 8 | 24-20-BJ-0023 | Trolley side plate |
| 9 | 24-20-BJ-0024 | Belt bracket |
| 10 | 24-20-BJ-0025 | Belt pressure plate |
| 11 | 24-20-BJ-0019 | Travel limit plate |
| 12 | 24-20-BJ-0060 | Bracket-Splitter |
| 13 | 24-20-HB-0031 | White ink circulation splitter |
| 14 | 24-20-BJ-0039 | Mounting plate - trolley board |
| 15 | 24-16-PA-00135 | Trolley board |
| 16 | 24-20-BJ-0040 | Trolley cover |
| 17 | 52011602-01 | Drag chain |
| 18 | 24-20-BJ-0065 | Trolley limit |

Trolley section Table

| Item | Part number | Part name |
|------|---------------|------------------|
| 19 | 52100601-01 | Encoder sensor |
| 20 | 24-20-BJ-0018 | Sensor bracket B |
| 21 | 24-20-BJ-0017 | Sensor bracket A |