

# Desktop Powder Shaking Machine Parts Book

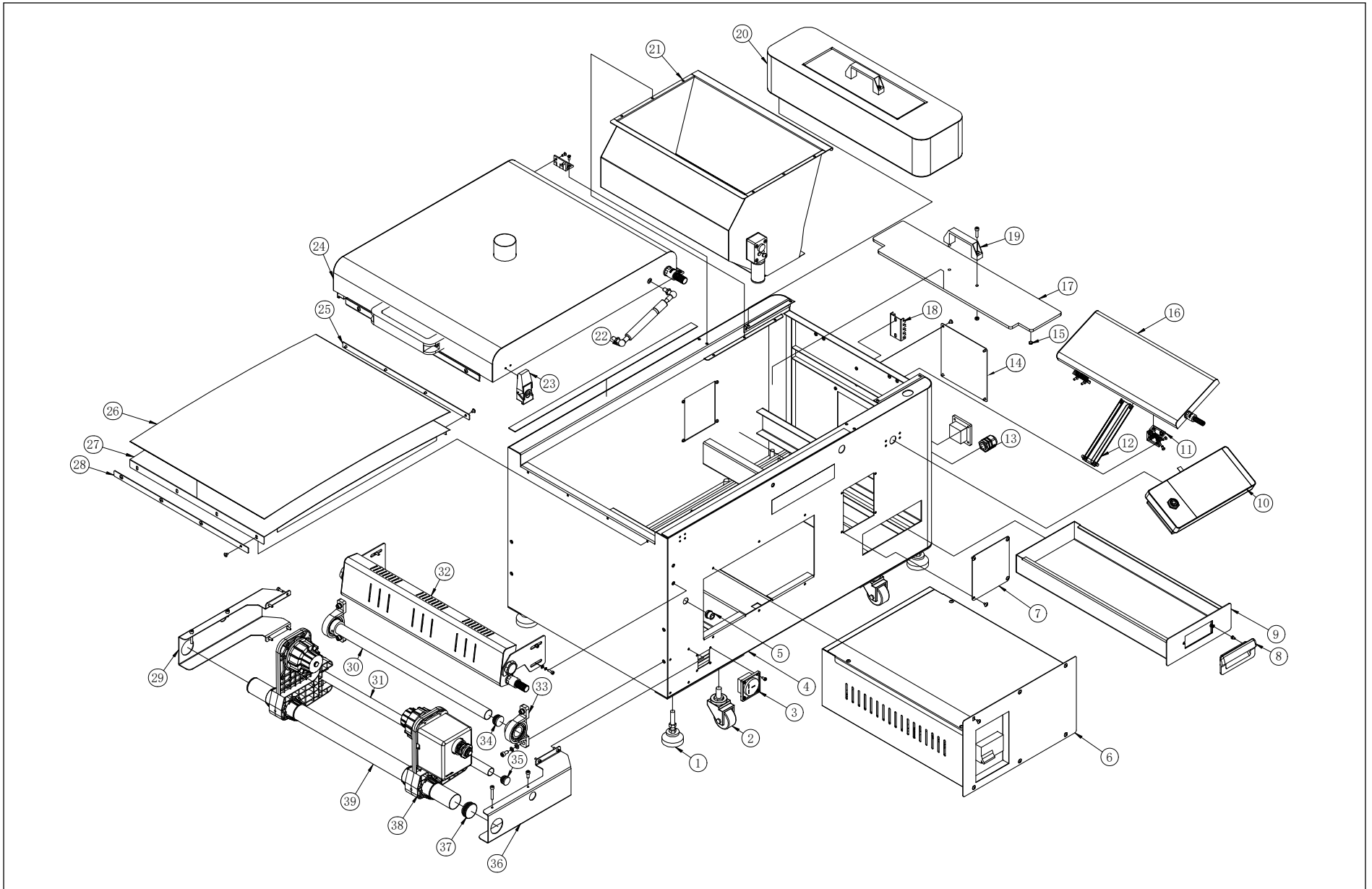


(2024.12.24)

# Catalogue

Catalogue .....	1
Overall Assembly .....	2-5
Heating Section .....	6-7
Preheat Section .....	8-9
Blanking Section .....	10-11
Powder Shaking Bin Section .....	12-13
Electric Box Section .....	14-16
Control Panel Section .....	17-18
Cold Air Cover Section .....	19-20

# Overall Assembly



## Overall Assembly Table 1

Item	Stock Number	Part Code
1	80270831	Support Feet-Nylon
2	80270612	Caster
3	80380808	Socket
4	54030102-01	Machine Rack - Powder Shaking Machine -A3
5	52101702-01	Aviation Plug
6	54039802-01	Electrical Box Part Assembly
7	54030109-01	Motor Cover Plate
8	5070100132	Embedded Handle
9	54030105-01	Powder Reciever Box
10	54039803-01	Control Panel Assembly
11	52011501-01	Hinge
12	54030303-01	Adjusting Bracket - Preheating Plate
13	80391016	Nylon Waterproof Joint
14	54030101-01	Rear Cover
15	80080112	Round Magnet
16	54039804-01	Preheating Part Assembly
17	54030607-01	Acrylic Cover Plate - Shake Powder Bin
18	54030304-01	Limit Bracket-Preheating Plate

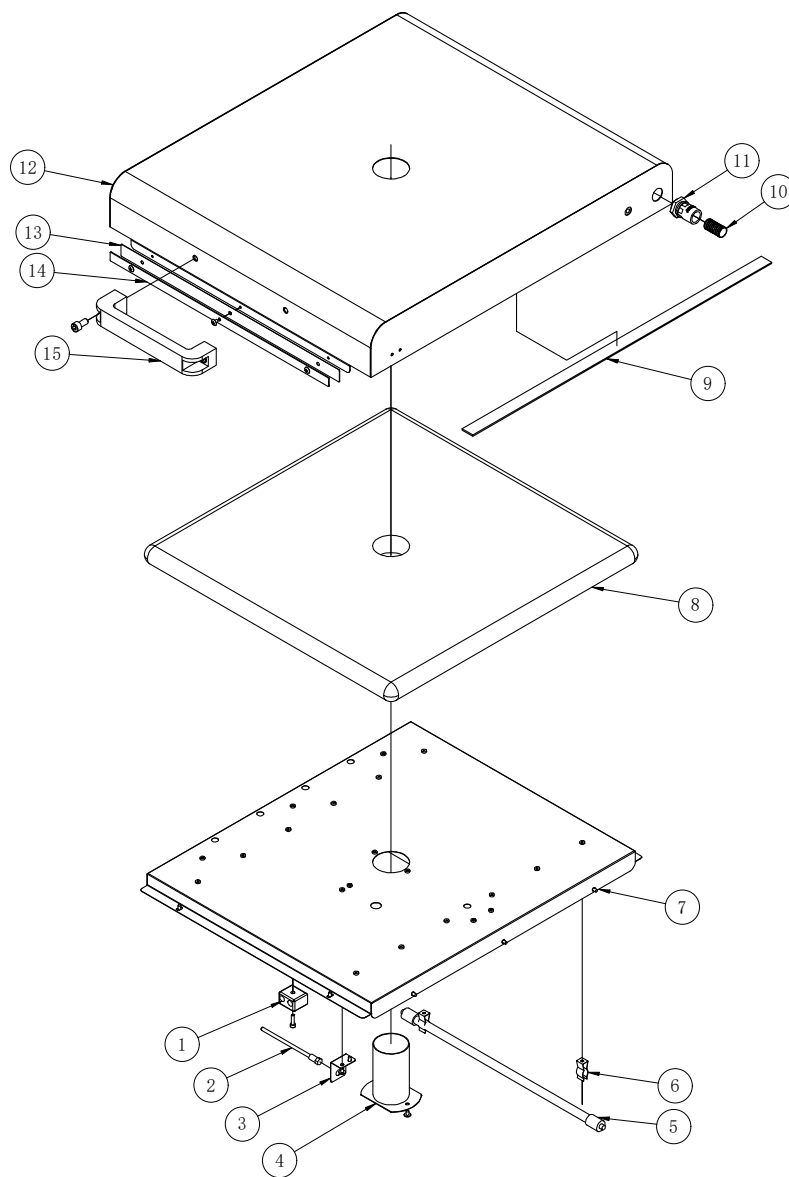
## Overall Assembly Table 2

Item	Stock Number	Part Code
19	52011804-01	Square Handle
20	54039805-01	Blanking Section Assembly
21	54039806-01	Powder Shaking Bin Assembly
22	80060108-100	Nitrogen Spring
23	80921005	Dks-1-P1 Hasp Lock-Large Black With Lock
24	54039807-01	Heating Section Assembly
25	54030110-01	Mesh Belt Platen - Back
26	52012702-01	Side Heating Protective Mesh
27	54030106-01	Heating Sealing Plate
28	54030108-01	Mesh Belt Platen - Fro
29	54030103-01	Paper Receiving Bracket-Right
30	54030112-01	Φ25 Stainless Steel Tube - Tension Shaft
31	54030113-01	Φ20 Stainless Steel Tube - Paper Receiver
32	54039801-01	Cold Air Hood Section Assembly
33	80032503	Zinc Alloy Bearing With Seat
34	52011004-01	25 Stainless Steel Pipe Plug
35	52011003-01	20 Stainless Steel Pipe Plug
36	54030104-01	Paper Receiving Bracket-Left

## Overall Assembly Table 3

Item	Stock Number	Part Code
37	52011002-01	38 Stainless Steel Pipe Plug
38	52101502-01	38 Tube Paper Receiver
39	54030111-01	Φ38 Stainless Steel Tube - Paper Receiver

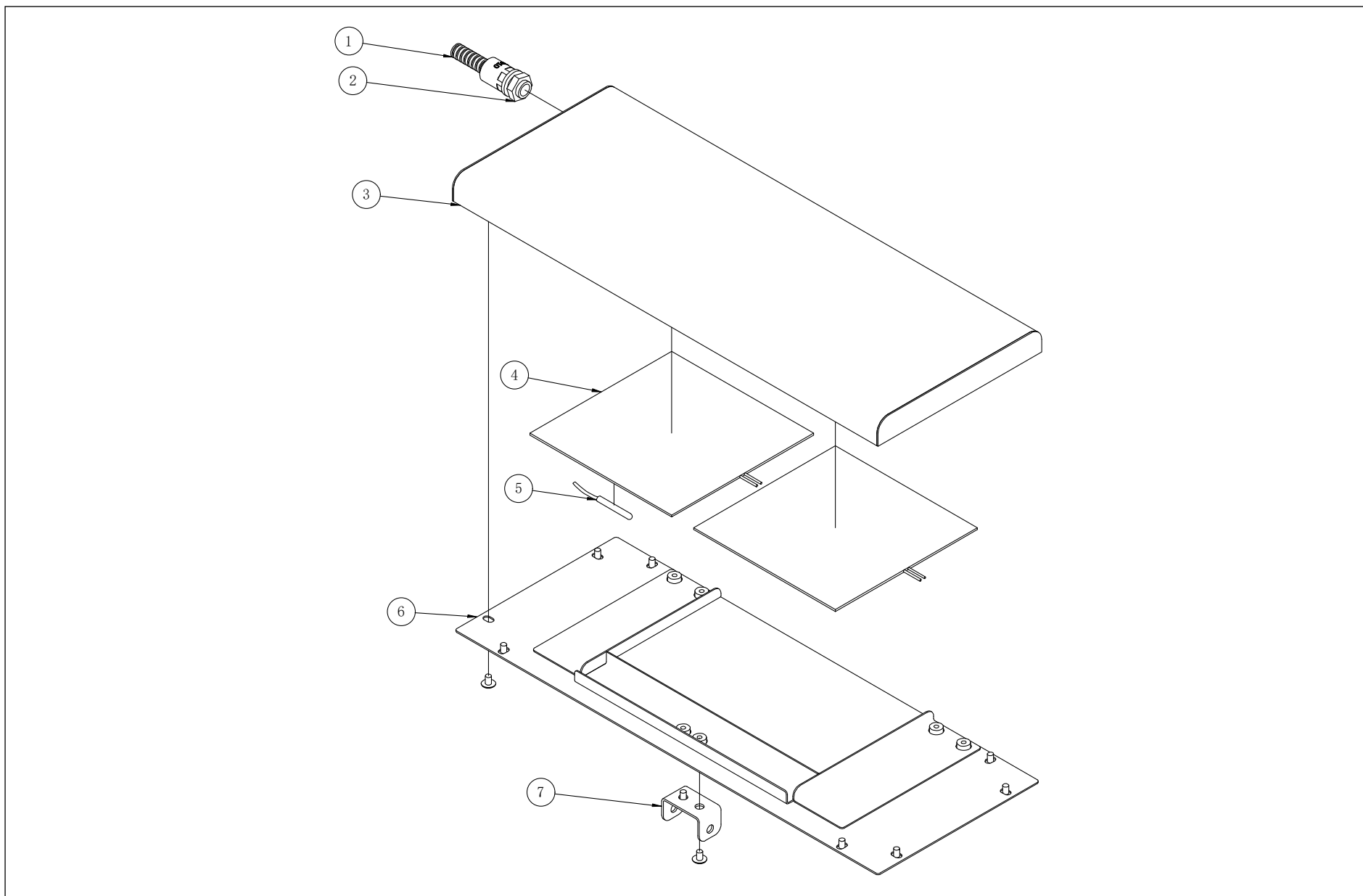
# Heating Section



## Heating Section Table

Item	Stock Number	Part Code
1	80388521	Ceramic Terminal Blocks
2	52101801-01	Temperature Measuring Probe
3	54030204-01	Mounting Base-Upper Heating Bin Temperature Sensor
4	54030205-01	Smoke Exhaust Outlet-Upper Heating Bin
5	52101902-01	Heating Tube
6	52012601-01	Lamp Clamp
7	54030203-01	Reflective Upper Heating Bin
8	52013105-01	Insulated Glass Wool
9	52013202-01	2mm High Temperature Silicone Pad
10	80391002	Corrugated Nylon Pipe
11	80391010	Corrugated Pipe Quick Connector
12	54030201-01	Upper Cover-Heating Part
13	52013002-01	Teflon High Temperature Cloth
14	54030202-01	Teflon Layering
15	52011802-01	Nylon Handle

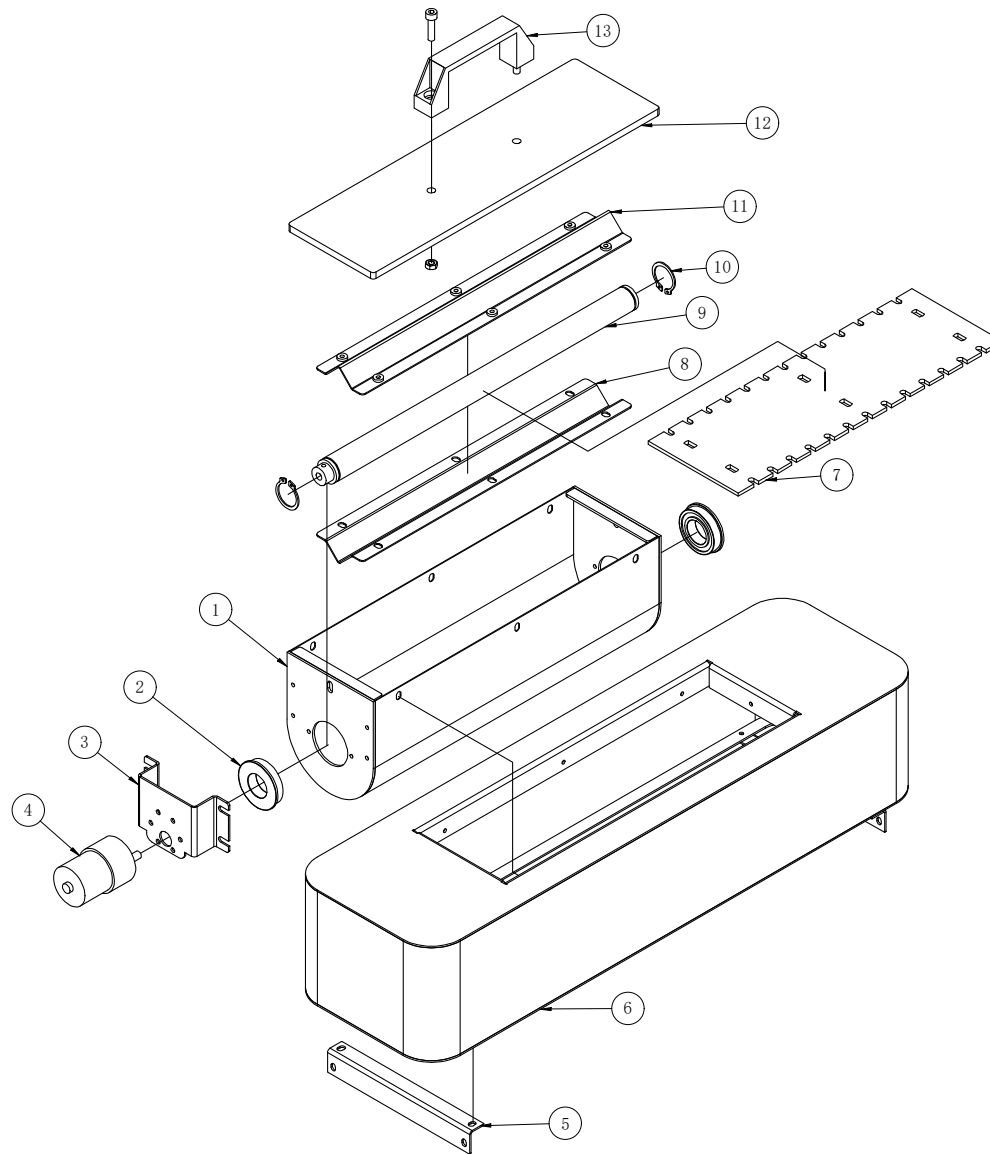
# Preheat Section



## Preheat Section Table

Item	Stock Number	Part Code
1	80391014	Corrugated Nylon Pipe
2	80391015	Corrugated Nylon Pipe Joint
3	54030301-01	Upper Cover - Preheating Board
4	52101603-01	Heating Strip
5	52101802-01	Temperature Sensor
6	54030302-01	Lower Cover - Preheating Board
7	54030305-01	Support Seat - Preheating Plate

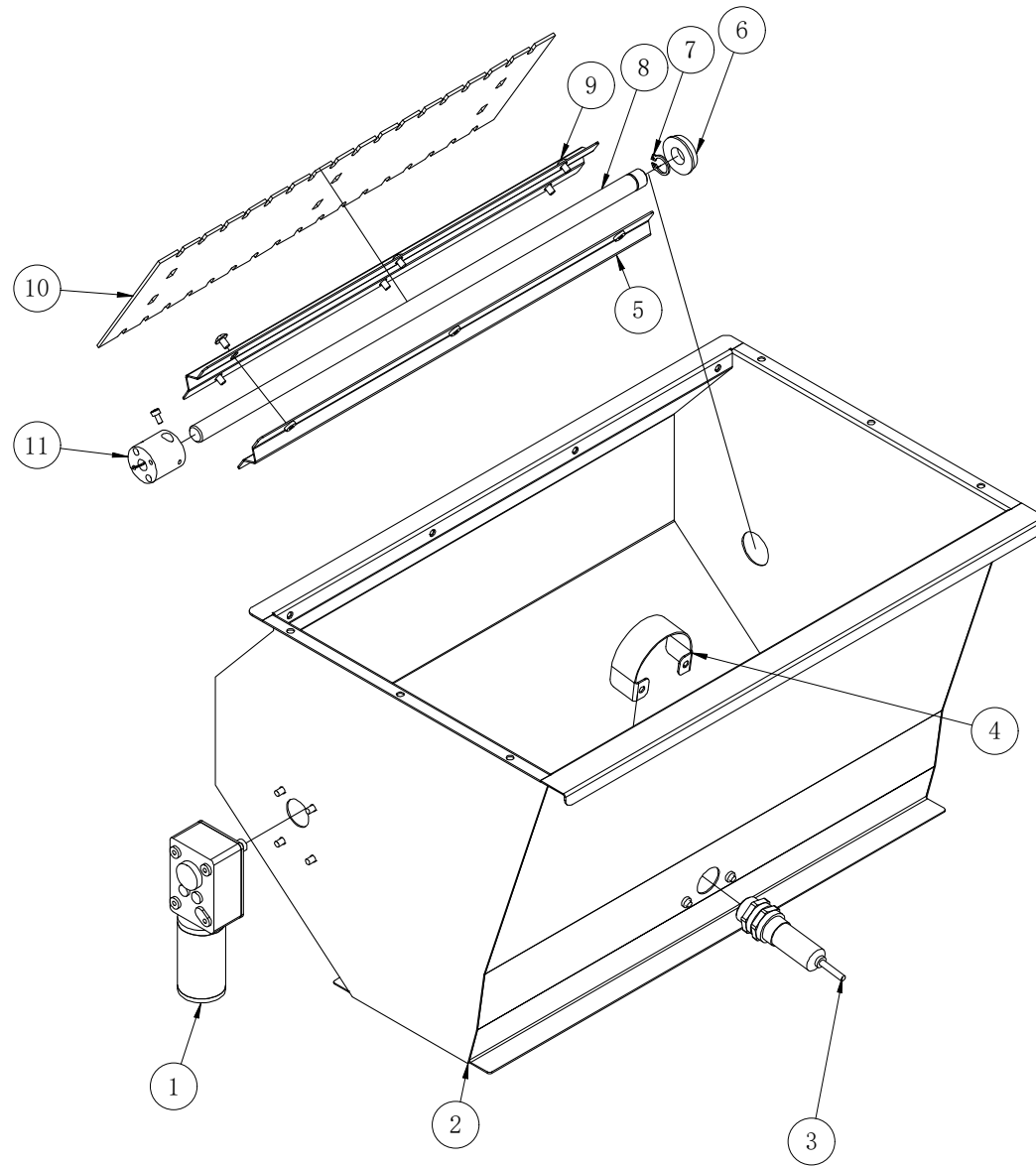
# Blanking Section



## Blanking Section Table

Item	Stock Number	Part Code
1	54030402-01	Blanking Section
2	80032027	F6904Z-Flange Bearing
3	54030408-01	Motor Mounting Plate
4	80320505	Motor
5	54030405-01	Flange
6	54030401-01	Machine Rack-Blanking Section
7	52013403-01	Powdered Silicone Mat
8	54030404-01	Powder Clamp-Down
9	54030407-01	Shaft-Blanking Section
10	80032020	External Circlip
11	54030403-01	Powder Clamp-Upper
12	54030406-01	Acrylic Panel-Blanking Section
13	52011804-01	Square Handle

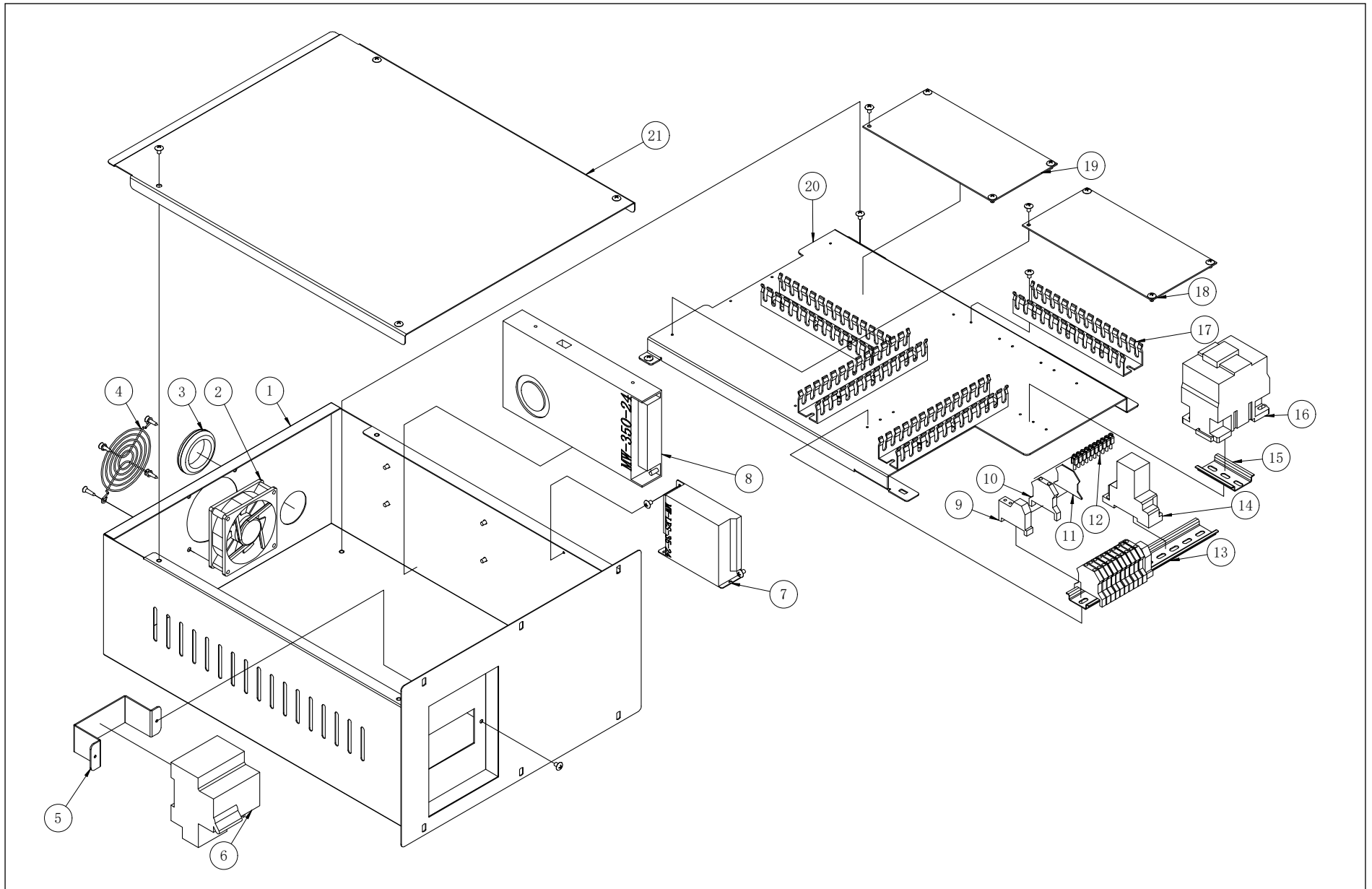
# Powder Shaking Bin Section



## Powder Shaking Bin Section Table

Item	Stock Number	Part Code
1	80320506	Powder Motor
2	54030601-01	Powder Shaking Bin
3	52100103-01	Optoelectronic Switch
4	54030602-01	Photoelectric Switch Protection Bracket
5	54030603-01	Powder Clamp-Upper-Powder Shaking Bin
6	80031203	Flange Bearing
7	80031204	C-Type External Circlip
8	54030605-01	Shaft-Powder Shaking Bin
9	54030604-01	Powder Clamp-Down-Powder Shaking Bin
10	52013404-01	Powdered Silicone Mat-Powder Shaking Bin
11	80039501	Coupler

# Electric Box Section



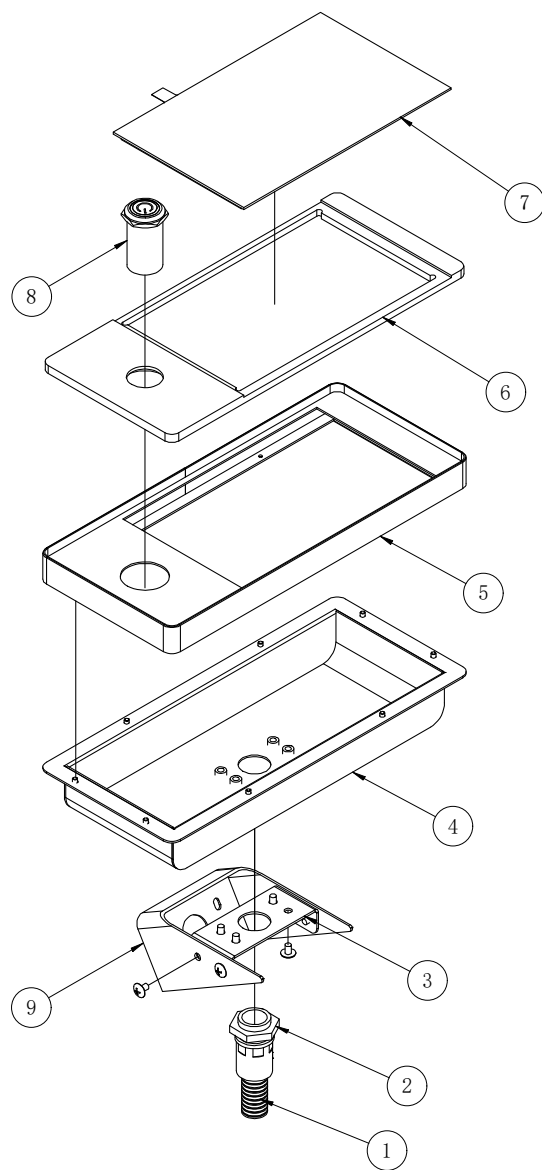
## Electric Box Section Table 1

Item	Stock Number	Part Code
1	54012001-01	Electrical Box
2	80381604	DC Fan
3	80391201	Double-Sided Wire Guard
4	80381606	Fan Guard
5	54012004-01	Mounting Plate - Air Breaker - Electrical Box
6	80350501	Leakage Circuit Breaker
7	80380676	24V Power Supply
8	80380674	24V Power Supply
9	80381508	Euk Mounting Block
10	80381505	Wire Terminal
11	80381506	Wire Terminal Partition Plate
12	80381507	Center Connecting Bar
13	54012011-01	Terminal Mounting Guide
14	80381101	Relay - T Type
15	54012002-01	Contactor Mounting Plate
16	80381201	Contactor
17	52012501-01	Wire Duct
18	52102001-01	Electrical Control Plate

## Electric Box Section Table 2

Item	Stock Number	Part Code
19	52102002-01	Electrical Control Plate
20	54030506-01	Galvanized Plate - Electrical Box Section
21	54030505-01	Top Cover - Electrical Box - A3 Powder Shaker

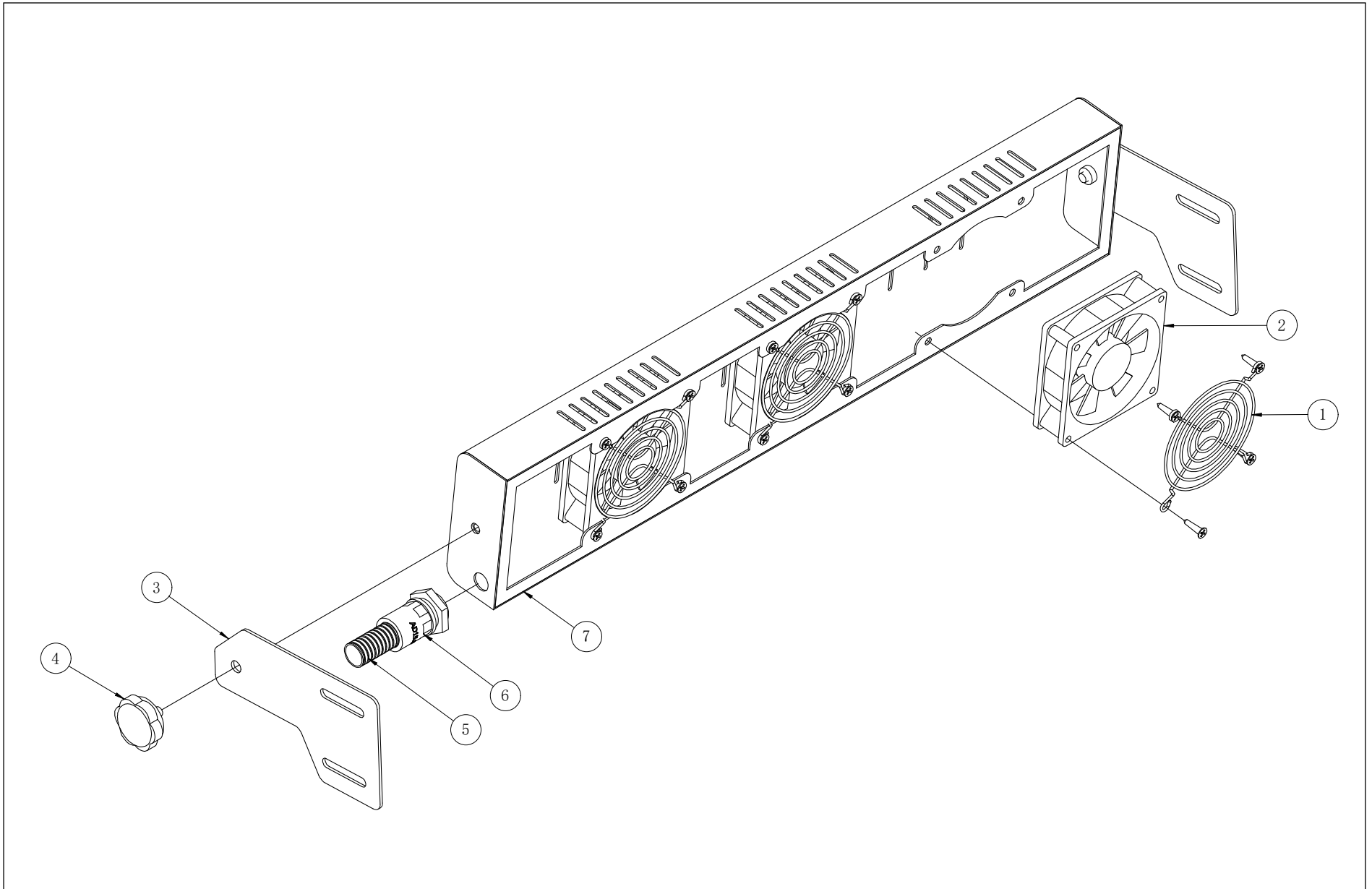
# Control Panel Section



## Control Panel Section Table

Item	Stock Number	Part Code
1	80391002	Corrugated Nylon Pipe
2	80391010	Corrugated Pipe Quick Connector
3	54030502-01	Display Connection Board
4	54030507-01	Control Panel Bracket B - 7 Inch - Powder Shaker
5	54012008-01	Control Panel Mounting Base A - 7 Inch - Powder Shaker
6	54030503-01	Mounting Plate - 7 Inch Display - Powder Shaker
7	52102101-01	Touch Screen - 7 Inch Tft
8	80350180	Metal Switch
9	54030501-01	Control Panel Bracket - 7 Inch - A3 Powder Shaker

# Cold Air Cover Section



## Cold Air Cover Section Table

Item	Stock Number	Part Code
1	80381606	Fan Guard
2	80381604	DC Fan
3	54030702-01	Cold Air Cover-Mounting Plate
4	80830610	Hex Socket Cap Screw
5	80391002	Corrugated Nylon Pipe
6	80391010	Corrugated Pipe Quick Connector
7	54030701-01	Cold Air Cover