

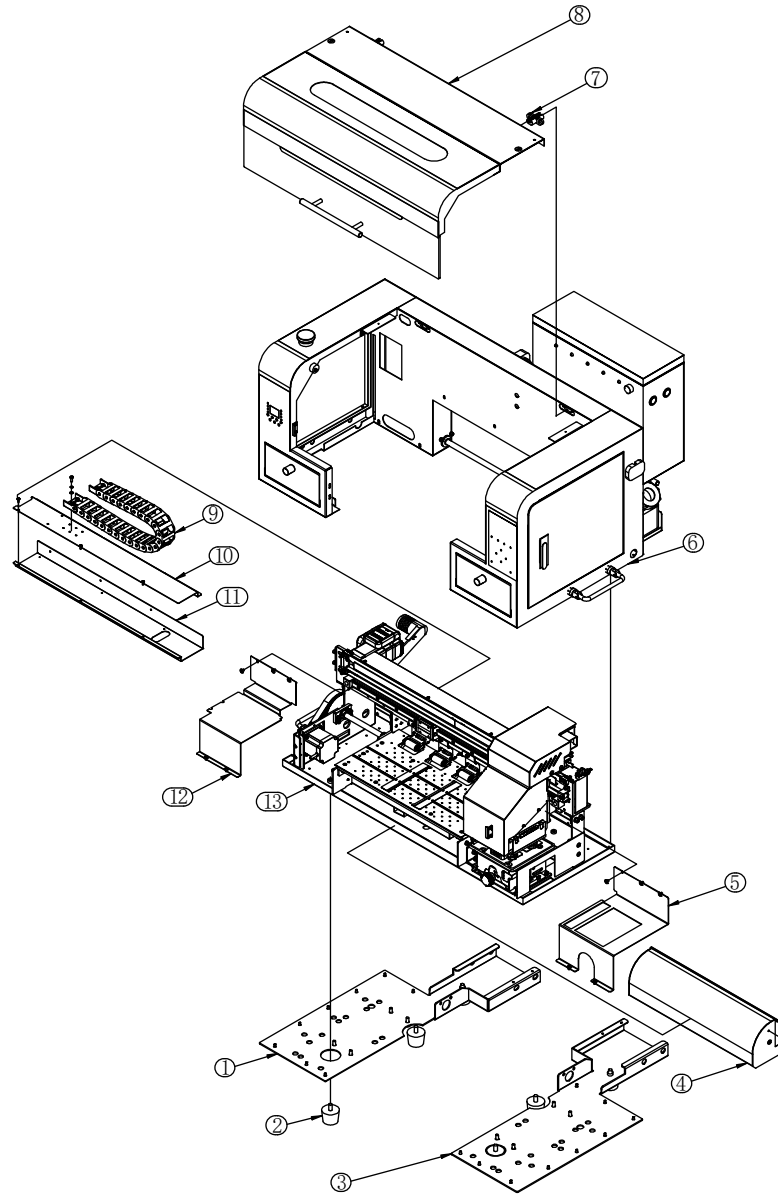
Revel Aire 2 Printer Parts Book



Catalogue

Catalogue	1
Overall Assembly	2-3
Ink Cartridge Section	4-5
Electric Box Section	6-7
Machine Rack	8-9
Drive Section	10-11
Drive Assembly	12-13
Drive Beam Section	14-16
Trolley Section	17-19
Base Assembly	20-22
Covers	23-24

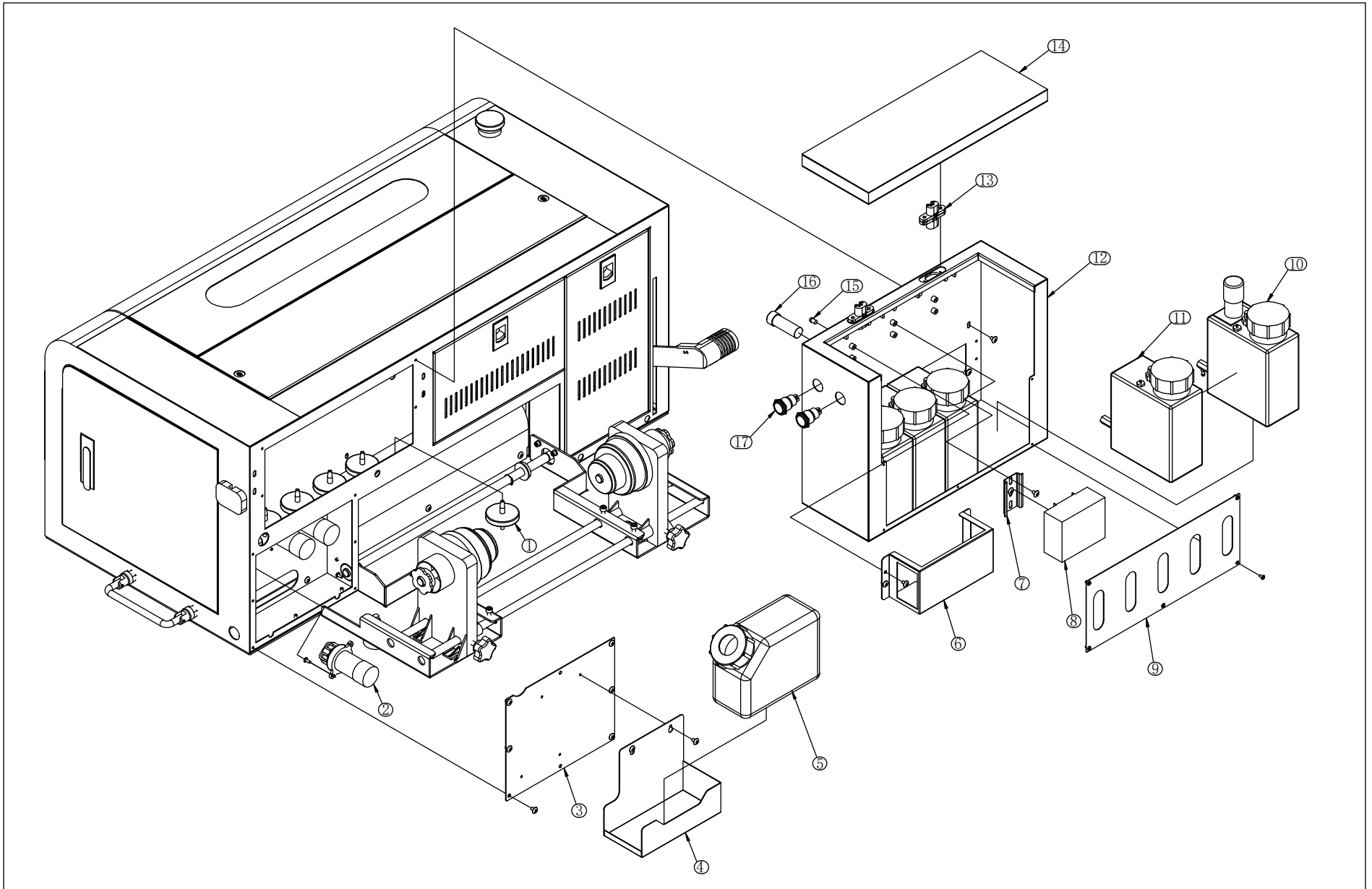
Overall Assembly



Overall Assembly Table

Item	Stock Number	Part Code
1	53031023-01	Left Base Mounting Plate
2	52013902-01	Rubber Foot
3	53031022-01	Right Base Mounting Plate
4	53031017-01	Heating Plate - Front
5	53031020-01	Ink Stack Baffle
6	53031018-02	Main Cabinet
7	52012101-01	Concealed Hinge
8	53031003-01	Top Cover
9	52011602-01	Cable Carrier
10	53030118-01	Mounting Plate 2 - Cable Carrier
11	53030117-01	Mounting Plate 1 - Cable Carrier
12	53031019-01	Paper Pressing Motor Baffle
13	53039803-01	Drive Unit

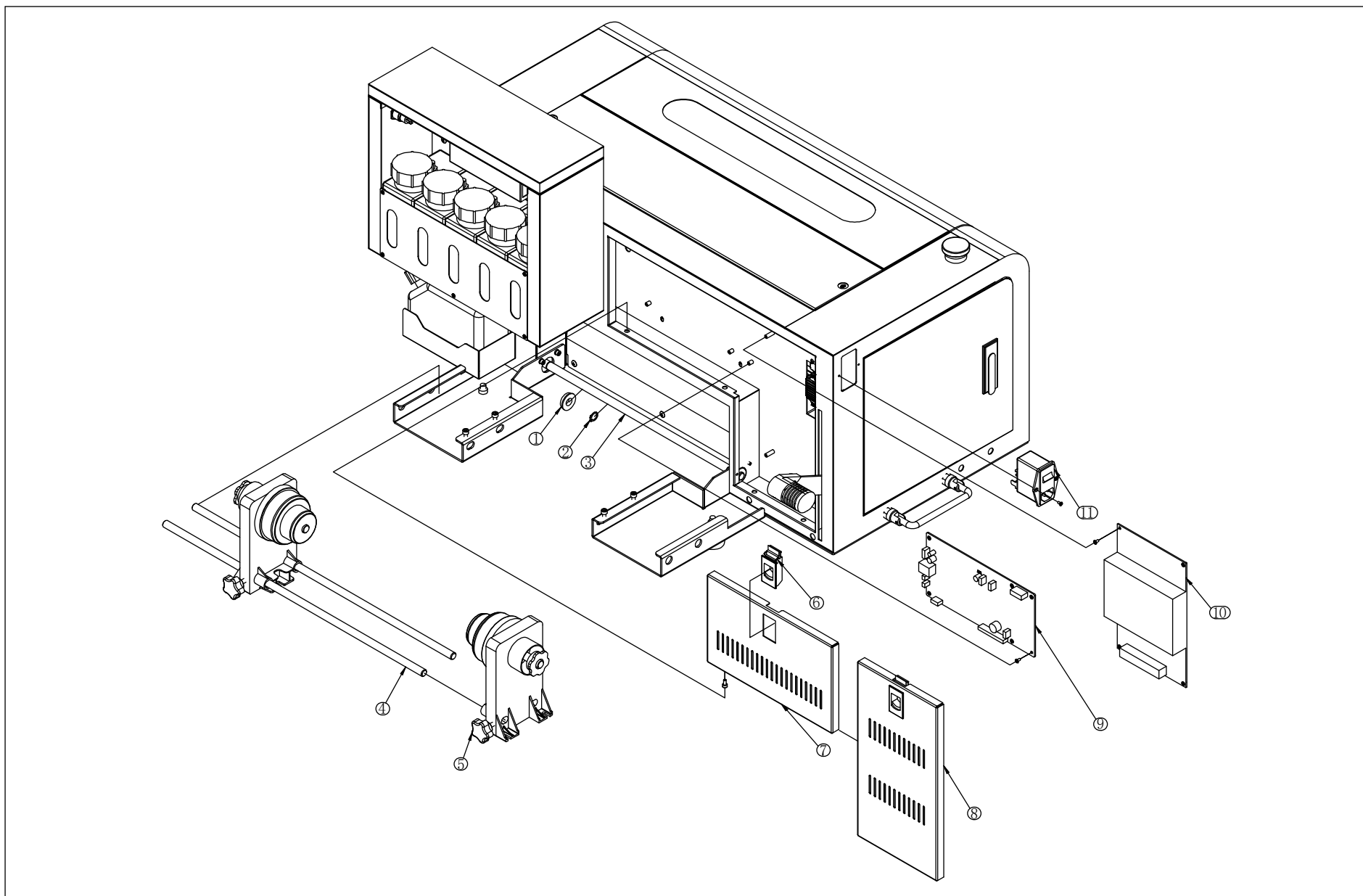
Ink Cartridge Section



Ink Cartridge Table

Item	Stock Number	Part Code
1	52050201-01	Filter
2	52100801-01	Peristaltic Pump
3	53031010-01	Ink Pump Box Cover
4	53031024-01	Waste Ink Tank Bracket
5	52010301-01	Waste Ink Tank
6	53031021-01	Ink Out Alarm Board Cover
7	54012002-01	Relay Mounting Plate
8	52100202-01	Ink Out Alarm Board
9	53031012-01	Ink Cartridge Front Cover
10	52010405-01	Ink Tank - White Ink
11	52010406-01	Ink Tank - Color Ink
12	53031009-01	Ink Cartridge
13	52012101-01	Concealed Hinge
14	53031011-01	Ink Cartridge Top Cover
15	52100301-01	Indicator Light
16	52105001-01	Buzzer
17	80350108	Metal Push-button Switch

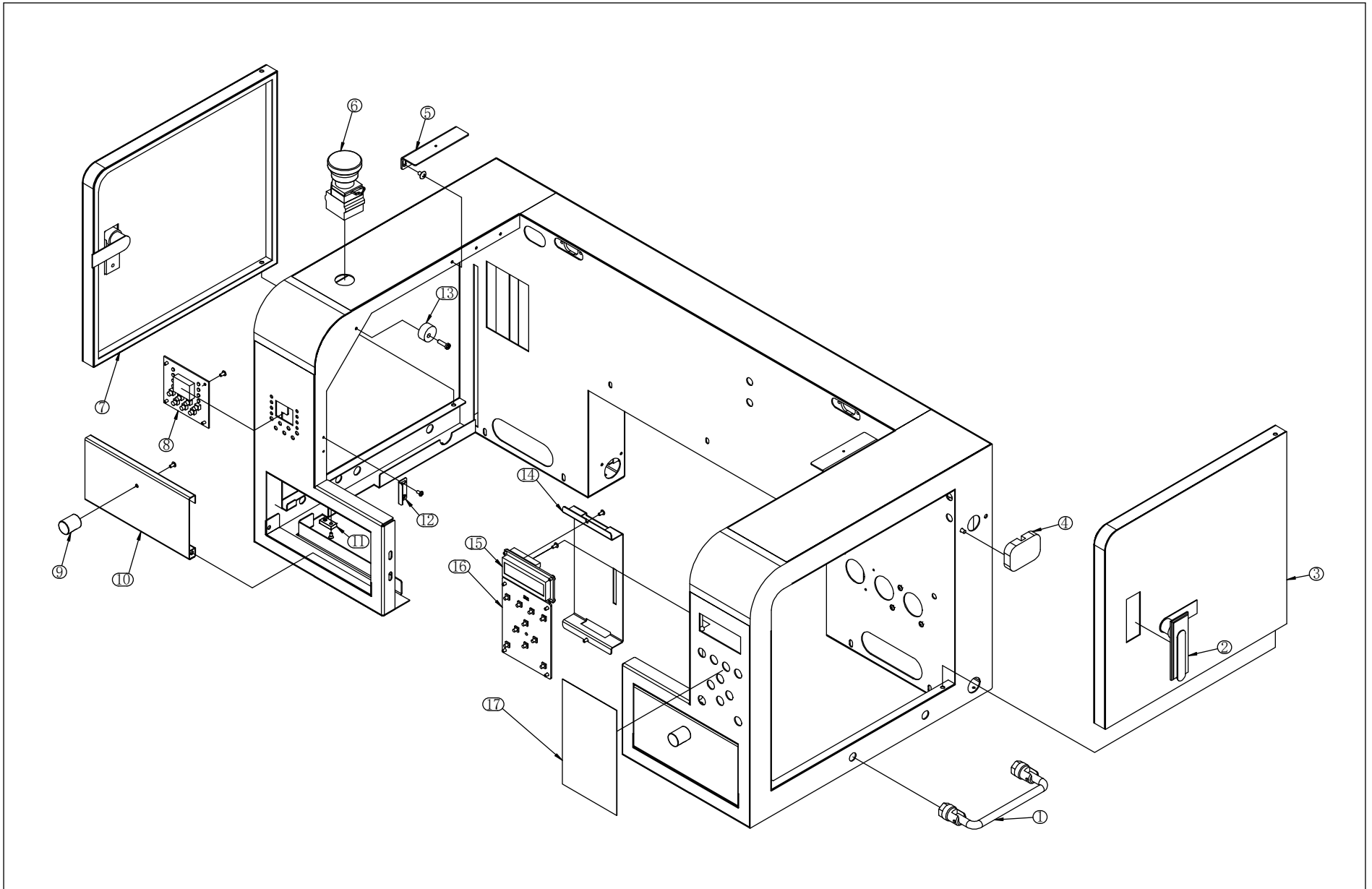
Electric Box Section



Electric Box Table

Item	Stock Number	Part Code
1	80031203	F6901z-flange Bearing
2	80031204	Type C External Circlip
3	53031026-01	Rear Tension Bar
4	53031027-01	Φ11 Shaft
5	52101504-01	Paper Feeder
6	80921006	Telescopic Latch
7	53031015-01	Electric Door - Middle
8	53031016-01	Electric Door - Right
9	52101104-0101	Mainboard
10	80380677	Switching Power Supply
11	52100401-01	Power Filter

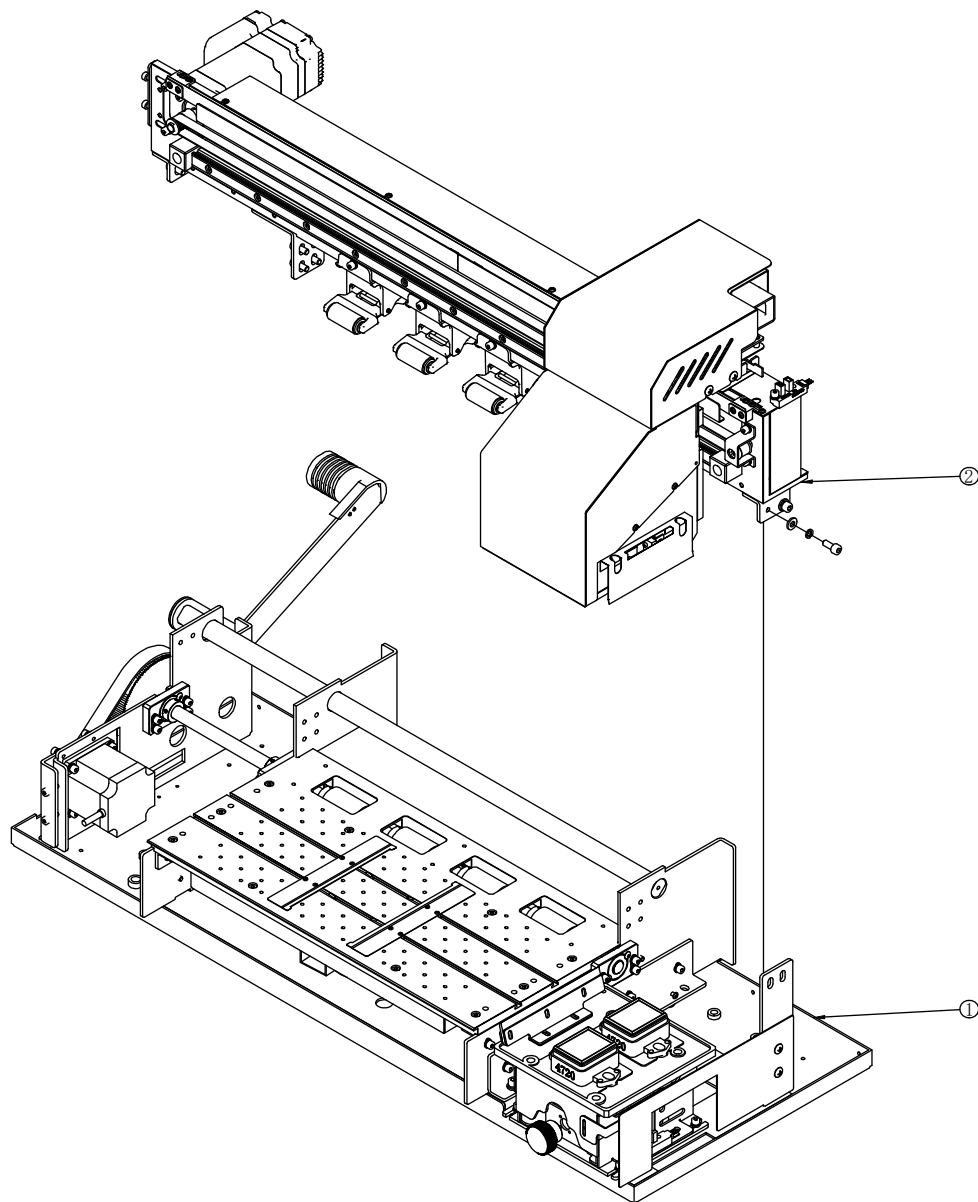
Machine Rack



Machine Rack Table

Item	Stock Number	Part Code
1	52011803-01	Handle
2	52010802-01	Flat Lock
3	53031008-01	Door - Right
4	53011028-01	Ethernet Cable Clamp
5	53031002-01	Top Cover Bracket
6	80350403	Emergency Stop
7	53031007-01	Door - Left
8	52103501-01	Temperature Control Board
9	52011805-01	Round Handle
10	53031013-01	Front Cover
11	52012003-01	Dual-hole Magnet
12	53031004-01	Face Cover Bracket
13	53031025-01	Shock Absorber - Top Cover
14	53031030-02	Button Base Plate
15	52101104-0104	Display Panel
16	52101104-0103	Keypad
17	52013603-01	Keypad Sticker

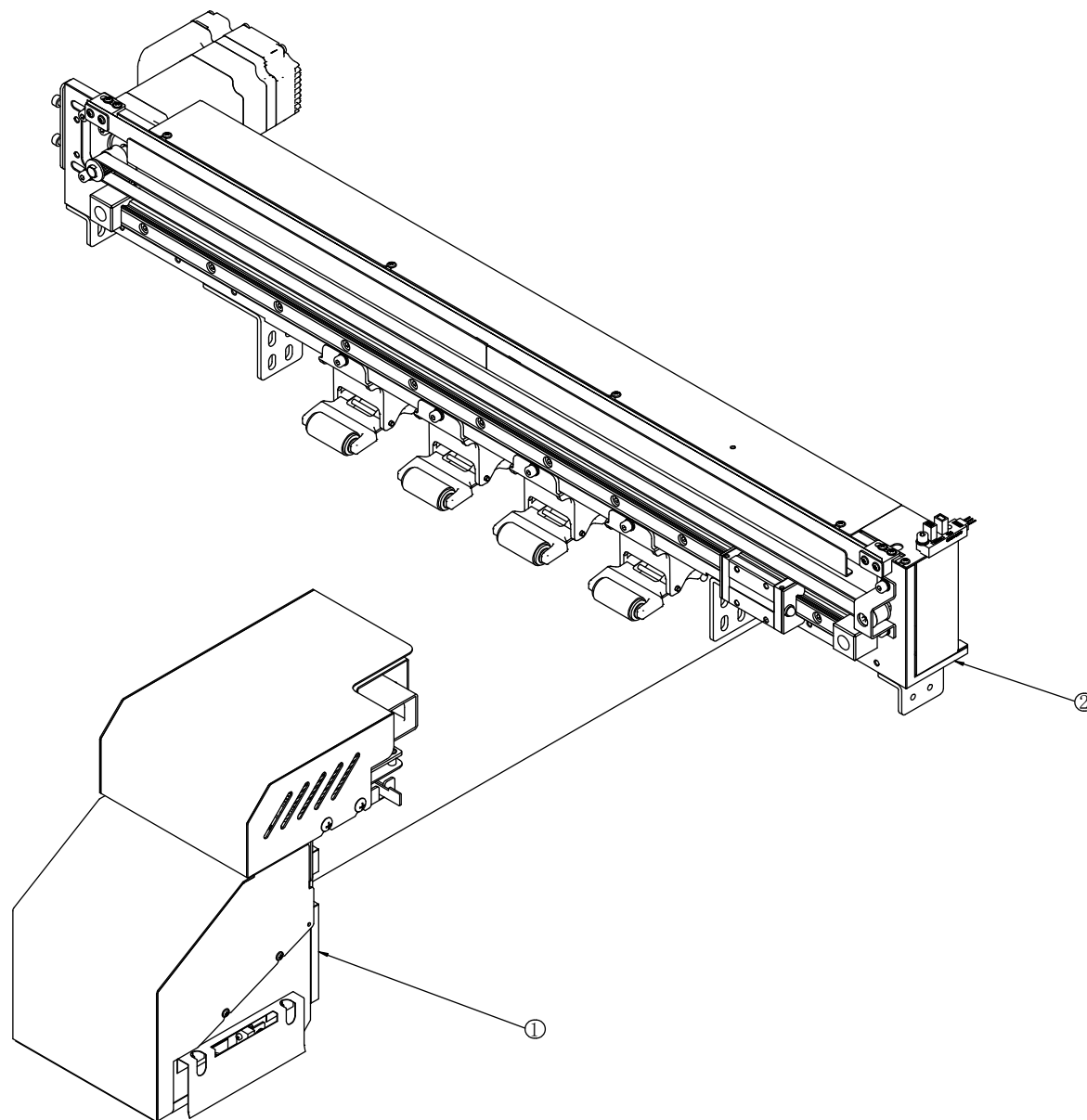
Drive Section



Drive Section Table

Item	Stock Number	Part Code
1	53039801-01	Base Assembly
2	53039802-01	Drive Assembly

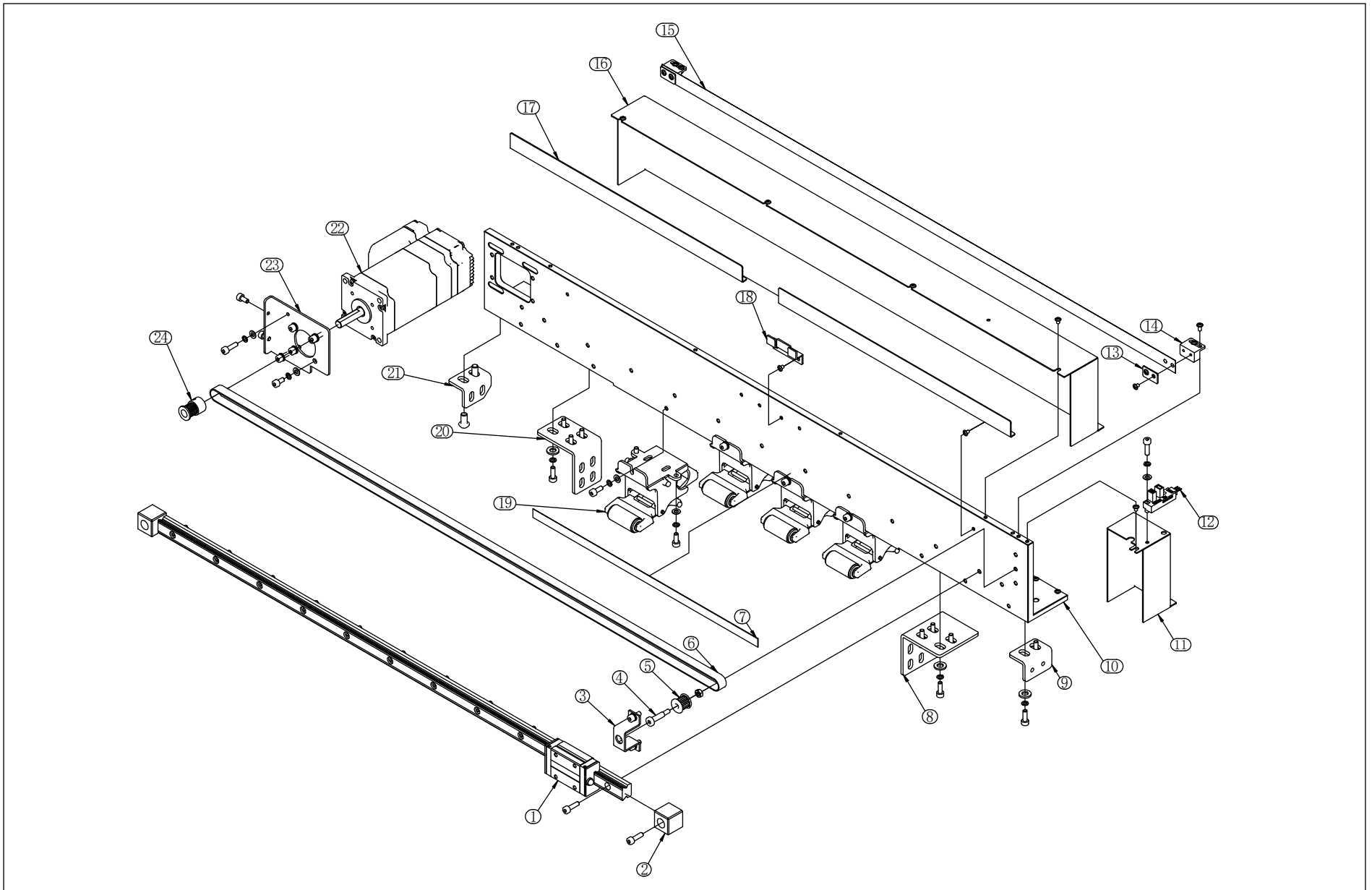
Drive Assembly



Drive Assembly Table

Item	Stock Number	Part Code
1	53039805-01	Trolley Section
2	53039806-01	Drive Beam Section

Drive Beam Section



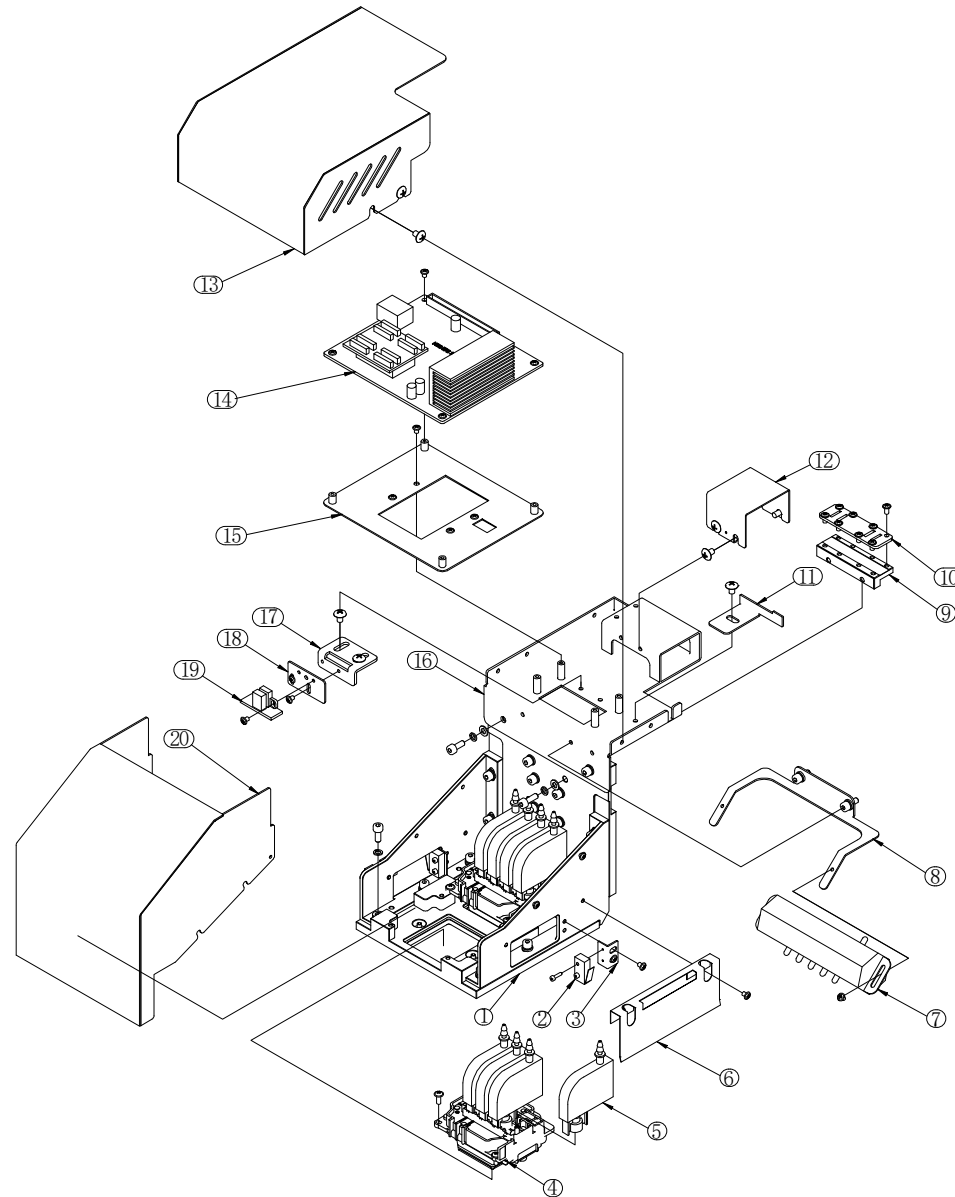
Drive Beam Table

Item	Stock Number	Part Code
1	52011105-01	Thk Guide Rail
2	53010128-01	Guide Rail Limit Block
3	53030119-01	Mounting Bracket - Driven Wheel
4	80924213	Socket Head Cap Screw
5	80024202	Af Type Driven Pulley
6	80024101	Belt
7	52012303-01	300mm Steel Ruler - Drive
8	53030106-01	Mounting Bracket 3 - Drive
9	53030107-01	Mounting Bracket 4 - Drive
10	53030125-01	Drive Mounting Beam
11	53030102-01	Optical Coupler Mounting Box
12	52100101-01	Limit Sensor
13	53030124-01	Pressing Plate 1 - Encoder Strip
14	53030126-01	Bracket 1 - Encoder Strip
15	52010203-01	Encoder Strip
16	53030101-01	Drive Mounting Beam Rear Cover
17	53030103-01	Sensor Protective Cover
18	52016201-01	Bracket 2 - Encoder Strip

Drive Beam Table

Item	Stock Number	Part Code
19	52010701-01	Paper Pressing Roller Assembly
20	53030105-01	Mounting Bracket 2 - Drive
21	53030104-01	Mounting Bracket 1 - Drive
22	80305775	Closed-loop Stepper Motor
23	53030116-01	Motor Mounting Plate
24	80024201	K-type Pulley

Trolley Section



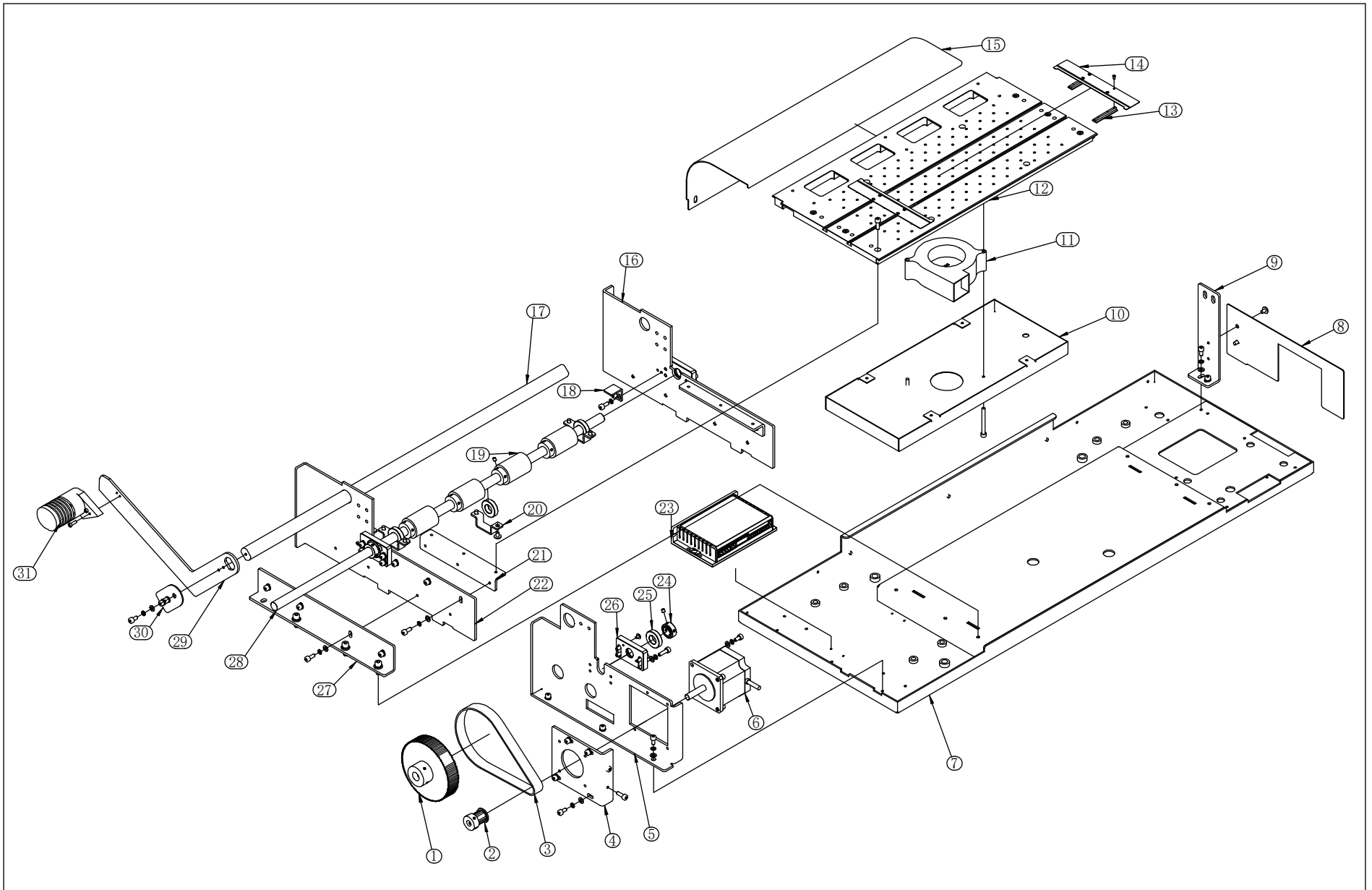
Trolley Section Table

Item	Stock Number	Part Code
1	52016301-01	Trolley Frame
2	52100701-01	Limit Sensor
3	53030112-01	Limit Sensor Mounting Bracket
4	52010101-01	Printhead - Epson
5	52050101-01	Damper
6	53030113-01	Limit Plate - Printhead
7	52010902-01	Shunt
8	53030109-01	Bracket 2 - Printhead
9	53030127-01	Belt Pressing Plate 1
10	53030123-01	Belt Pressing Plate 2
11	53030108-01	Bracket 1 - Printhead
12	53030115-01	Fixing Plate - Cable Chain
13	53030122-01	Trolley Cover
14	52101104-0102	Trolley Board
15	53030121-02	Board Mounting Plate
16	53030120-01	Printhead Connecting Bracket 1
17	53030110-01	Mounting Bracket 1 - Sensor
18	53030111-01	Mounting Plate 1 - Sensor

Trolley Section Table

Item	Stock Number	Part Code
19	52100601-01	Encoder Sensor
20	53030114-01	Printhead Cover

Base Assembly



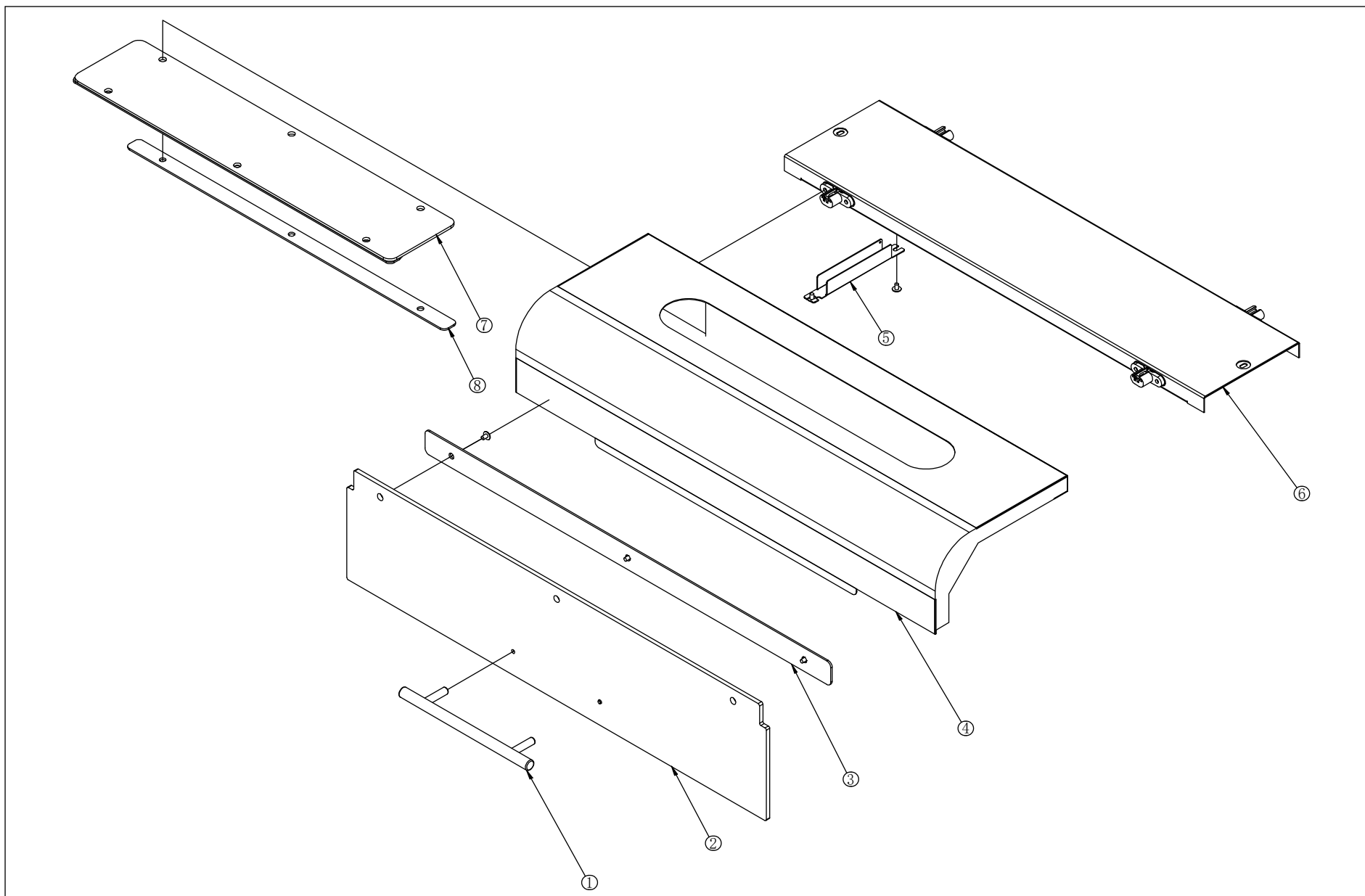
Base Assembly Table

Item	Stock Number	Part Code
1	80022102	Paper Feed Roller
2	80022101	Pulley
3	80022202	Belt
4	53030513-01	Mounting Bracket 9 - Suction Plate
5	53030512-01	Mounting Bracket 8 - Suction Plate
6	80305774	Stepper Motor
7	53030516-01	Base Welding Parts
8	53030502-01	Baffle - Suction Plate
9	53030501-01	Mounting Bracket 1 - Suction Plate
10	53030507-01	Fan Mounting Box - Suction Plate
11	52101004-01	Fan 24v-dc - Suction Plate
12	53030518-01	Suction Plate
13	52014401-01	Anti-warping Plastic Part
14	53030508-01	Pressing Board - Suction Plate
15	53030514-01	Back Cover - Suction Plate
16	53030503-01	Mounting Bracket 2 - Suction Plate
17	53030521-01	Paper Pressing Shaft
18	53030506-01	Mounting Bracket 5 - Suction Plate

Base Assembly Table

Item	Stock Number	Part Code
19	52016101-01	Ratchet
20	53030509-01	Mounting Bracket 7 - Suction Plate
21	53030504-01	Mounting Bracket 3 - Suction Plate
22	53030515-01	Mounting Bracket 6 - Suction Plate
23	80305776	Driver
24	53030520-01	Retaining Ring - Ratchet
25	80031221	6901 Bearing
26	53030517-01	6901Z Bearing Mounting Plate - Suction Plate
27	53030505-01	Mounting Bracket 4 - Suction Plate
28	53030519-01	Optical Shaft - Ratchet
29	53020510-01	Paper Pressing Rod
30	53030511-01	Paper Pressing Rod Piece
31	52011201-01	Paper Pressing Rod Head

Covers



Covers Table

Item	Stock Number	Part Code
1	52011801-01	Door Handle
2	53031029-01	Acrylic Panel - Front Cover
3	53031005-01	Acrylic Pressing Plate - Front Cover
4	53031001-01	Front Cover
5	53031014-01	Top Cover Cable Tray
6	53031003-01	Top Cover
7	53031028-01	Acrylic Panel - Top Cover
8	53031006-01	Acrylic Pressing Plate - Top Cover