

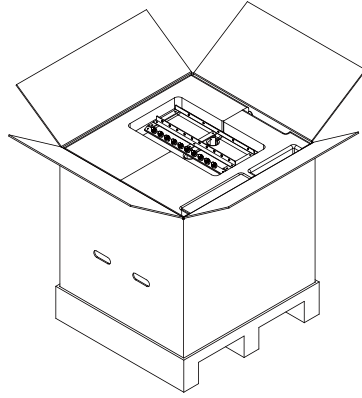
Creator

Home Embroidery Machine

Unpacking Instructions

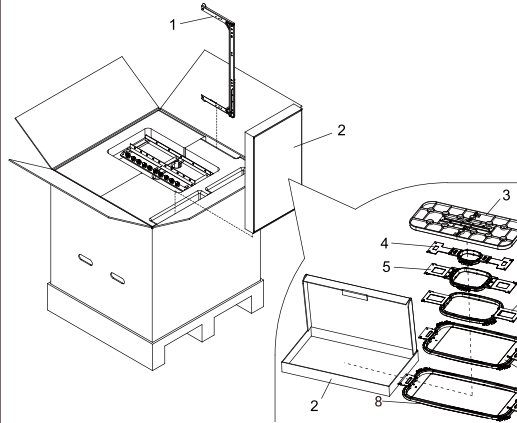
We Recommend Keeping all Packaging Materials.

①



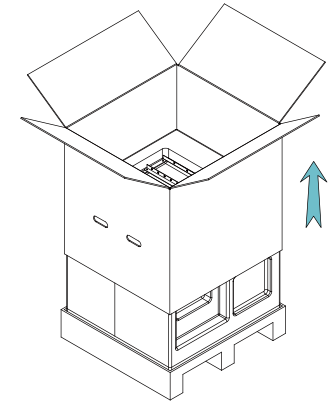
1. Cut the seal tape on the cardboard box.
2. Open the cardboard box.

②



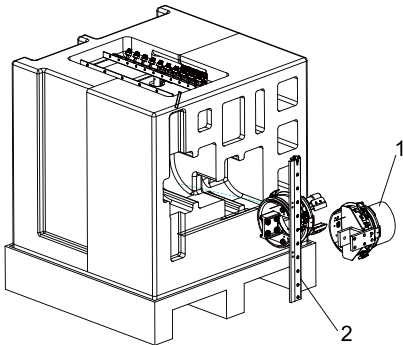
1. Remove the thread plate.
2. Take out the frame bracket (No. 1).
3. Remove the plastic bag (No. 2).
- 3a. Accessories included in the plastic bag (No. 2).
 - a. 70 * 50 mm frame (No. 4): 1 set.
 - b. 110 * 110 mm frame (No. 5): 1 set.
 - c. 190 * 140 mm frame (No. 6): 1 set.
 - d. 310 * 210 mm frame (No. 7): 1 set.
 - e. 380 * 210 mm frame (No. 8): 1 set.

③



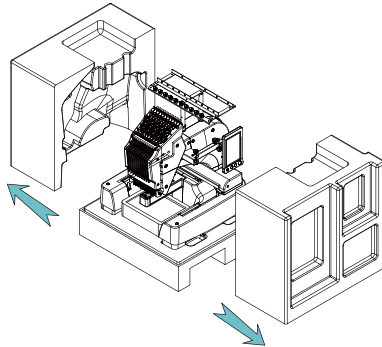
1. Pull up on the cardboard box by using the plastic cutouts located on the side of the box.

④



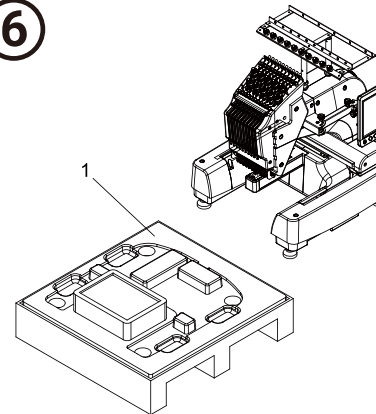
1. Remove the hoop station (No. 1) from outside of the styrofoam.
2. Remove the cap driver (No. 2).

⑤



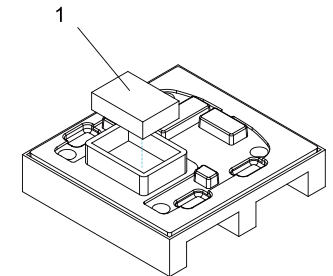
1. Pull the Styrofoam apart from both sides.

⑥



1. Open the plastic bag
2. Remove the machine from the plastic by lifting from the bottom of the machine. We recommended two people perform this operation.

⑦



1. Remove the tool kit.