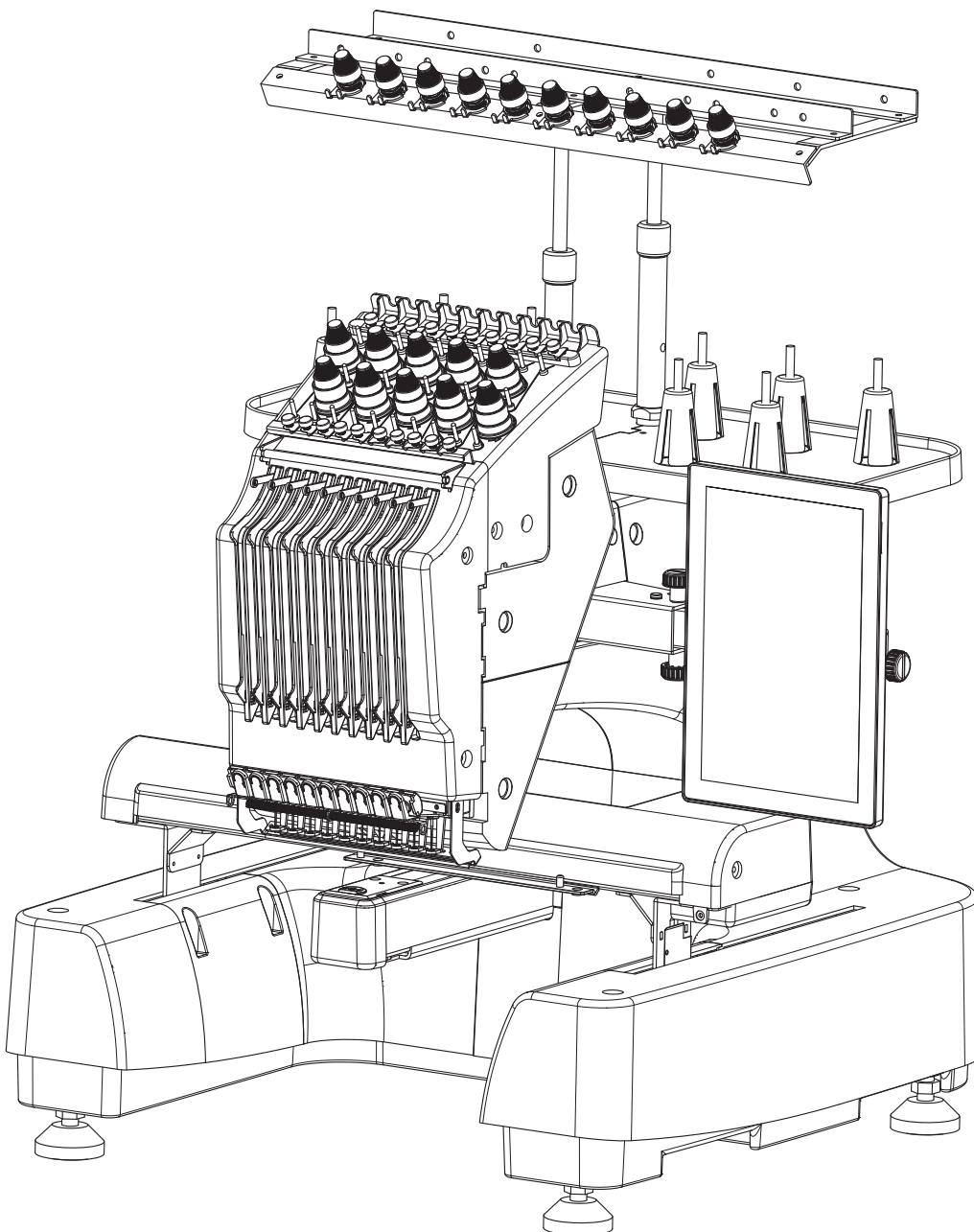


Operation Manual

Model: EM1010



Trademark

FlashFX® is a registered trademark of Datalight, Inc.

FlashFX® Copyright 1998-2007 Datalight, Inc.

U.S. Patent Office 5,860,082/6,260,156

FlashFX® Pro™ is a trademark of Datalight, Inc. Datalight® is a registered trademark of Datalight, Inc. Copyright 1989-2007

Datalight, Inc., All Rights Reserved

Video powered by Mobiclip™ encoding and playback technology.

IMPORTANT:

READ BEFORE DOWNLOADING, COPYING, INSTALLING OR USING.

By downloading, copying, installing or using the software you agree to this license. If you do not agree to this license, do not download, install, copy or use the software.

Intel License Agreement For Open Source Computer Vision Library

Copyright © 2000, Intel Corporation, all rights reserved. Third party copyrights are property of their respective owners.

Redistribution and use in source and binary forms, with or without modification, are permitted provided that the following conditions are met:

- Redistribution's of source code must retain the above copyright notice, this list of conditions and the following disclaimer.
- Redistribution's in binary form must reproduce the above copyright notice, this list of conditions and the following disclaimer in the documentation and/or other materials provided with the distribution.
- The name of Intel Corporation may not be used to endorse or promote products derived from this software without specific prior written permission.

This software is provided by the copyright holders and contributors "as is" and any express or implied warranties, including, but not limited to, the implied warranties of merchantability and fitness for a particular purpose are disclaimed. In no event shall Intel or contributors be liable for any direct, indirect, incidental, special, exemplary, or consequential damages (including, but not limited to, procurement of substitute goods or services; loss of use, data, or profits; or business interruption) however caused and on any theory of liability, whether in contract, strict liability, or tort (including negligence or otherwise) arising in any way out of the use of this software, even if advised of the possibility of such damage.

All information provided related to future Intel products and plans is preliminary and subject to change at any time, without notice.

Introduction

Thanks for selecting the embroidery machine and before use, please read carefully "Safety Notes" and the instructions for correct operation. The operating instruction after reading shall be properly kept for future reference.

Safety notes

Please read safety notes before using the machine.

Danger - To prevent electric shock:

Make sure to pull power plug from socket before cleaning the machine after use, or maintaining the machine as specified herein, or when the machine is left unattended.

Warning - To prevent burn, fire, electric shock or personal injury:

1. Before applying with lubrication oil or conducting other maintenance and adjustment operation specified herein, please pull power plug from socket.

- To pull out power plug, turn main switch to "O", and pull power plug out from socket. Do not pull power lines.
- Be sure power plug is directly inserted in power socket. Do not connect power supply directly to power board.
- If power supply is cut off, be sure the machine's power plug is pulled out.

2. Stop operating the machine in case power lines or plugs are damaged.

The machine also cannot function normally if it was damaged during a fall or was splashed with water. Please deliver the machine to the nearest authorized agent or technical service center, and the professional would check it and conduct electrical or mechanical adjustment accordingly.

- To avoid electric shocking or fire, do not use damaged power plug or loosened power socket, and be sure to completely and reliably insert power plug in socket.
- In case of any abnormal condition during machine storage or use, such as bad smell, heat, color change or deformation, stop using machine immediately and unplug the machine.
- Handle the machine from its bottom, since handling with machine from other positions may cause damage to machine or cause the machine falling off, even personal injury.
- Handle machine with care, or otherwise your back or knees may be injured.
- Do not touch operating panel, wire pole or movable parts while handling machine, or otherwise you may be injured.

3. Keep work area clean

- Do not block any ventilation opening while operating the machine, be sure the ventilation opening is free from accumulated fluff, dust or cloth
- Do not connect power supply to power board, and please insert power plug directly in power socket.
- Keep foreign object away from machine opening, and keep your fingers away from movable parts, such as the guide rail, or otherwise personal injury may be caused.
- Never operate the machine in the place with spray or the places storing oxygen.
- Do not operate the machine nearby heat source or iron, or otherwise the fire or electric shocking may be caused by heating machine, ignited power lines or clothes.
- Do not operate the machine nearby open fire, or otherwise the moving embroidery frame may give rise to ignited clothing being sewed.

- Do not position the machine on rough surface such as the unstable or incline table, or otherwise the machine may fall off and cause personal injury.
- Do not touch the machine or any machine part when installing or removing embroidery frame or other accessory fittings, or maintaining the machine.

4. Precautions during embroidery

- Pay special attention to machine needle, and do not use curved or damaged needle.
- Do not touch any movable part, and take special care nearby machine needle.
- During machine operation, keep your fingers away from needle bar box and any movable part nearby the box, or otherwise the personal injury may be caused.
- Before any adjustment (such as needle replacement) nearby needle, turn main switch to "O" to shut down machine.
- To prevent needle breakage, do not use damaged or incorrect needle plate.

5. Do not play the machine as a toy

- Take special care of child operating the machine or when a child is nearby.
- In the absence of custody, the embroidery machine shall not apply to child or the disabled.
- Take care of the child and stop them playing with the machine.
- The accompanying scissors or seam ripper shall be used for specified purpose and when opening is made by seam ripper, keep your hands or fingers away from the cutting direction, or otherwise the falling seam ripper would cause injury.
- Keep child away from the package plastic bag accompanied and do not leave it unattended. Prevent child from playing with plastic bag, or otherwise choking hazard would be caused.
- Never operate the machine outdoor.

6. Precautions for prolonging machine life

- Do not store the machine in a place with direct sunshine or high humidity. Do not use or store the machine close to a heater, iron, halogen lamp or other high-temperature object.
- Neutral soap or detergent may only be used for machine cleaning. Do not use the benzene, diluent and washing power that may damage machine.
- To ensure correct installation, please refer to the operating instruction when replacing or installing any module, needle or other parts.

7. Precautions for repair or adjustment

- To prevent fire, electric shock or personal injury, never try to disassemble, repair or change the machine's function in any way.
- Damaged illumination lamp shall be replaced by authorized dealer.
- In case of machine failure or necessary adjustment, please refer to the Trouble Removal Table in the operating instruction, check and adjust the machine and if failed to solve the problem, please consult with local authorized RiCOMA dealer.

For detailed product information or upgrade, please visit our website: www.ricoma.com.us

Take care of the operating instructions

Domestic Embroidery Machine

The equipment is not applicable for the disabled, the person (including the children) with poor sense or mentally handicapped, with insufficient experience and knowledge, unless otherwise under supervision or guidance. Take care of the child and prevent them from playing with equipment.

License agreement

RiCOMA patented product data, software and document (collectively the "Content") is provided together with the machine.

The use of the contents shall mean acceptance of clauses herein. RiCOMA shall reserve the right to the contents accompanied and the copies related and in accordance with clauses herein, you ("User") are authorized with the right relating to contents (not sale). "User" is authorized with the following rights:

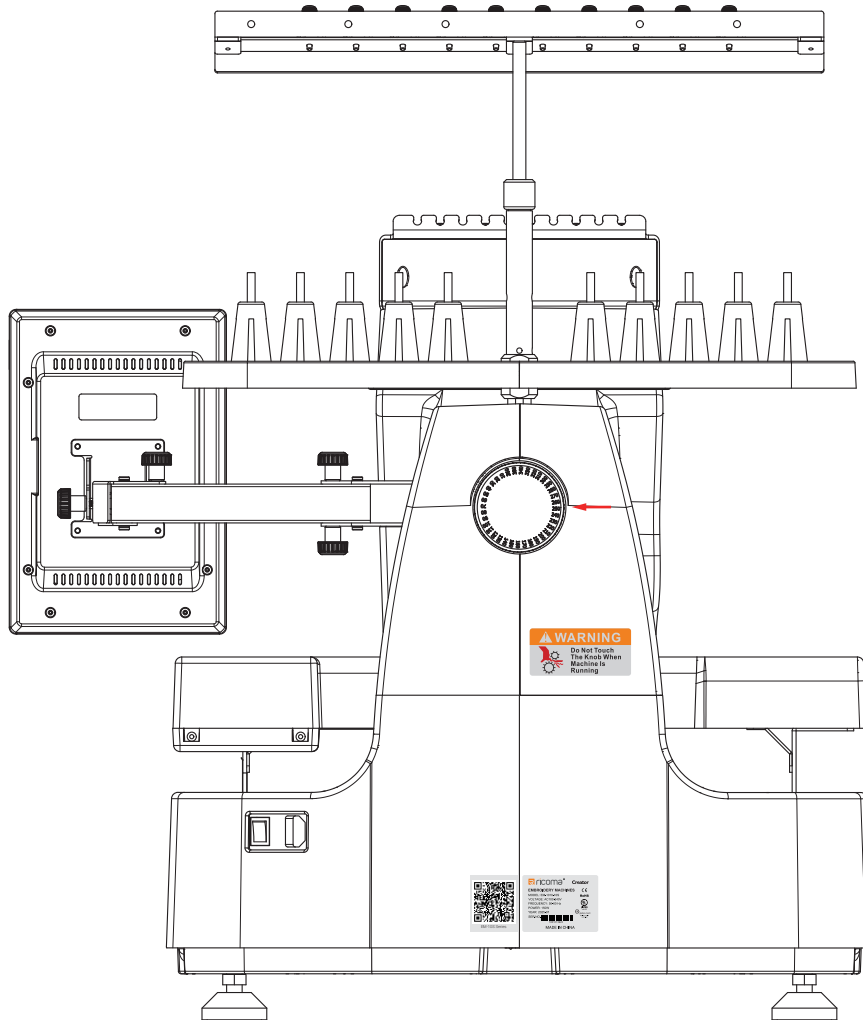
- To complete embroidery on embroidery machine in accordance with the "Contents".
- Use the "Contents" on the embroidery machine owned or used by users, but the "Contents" shall not be used for more than one embroidery machine simultaneously, unless otherwise specified. User shall: Not use more than one copy of the Contents, not copy, revise, release, sub-release, sell, sub-lease or issue the Contents to others in any way, or release, lease, issue permit, lease, sell, transfer or designate medium card or Contents.
- Not decompile, decompose or reverse engineer the Contents in any way, or help others engage in such activity.
- Not change, translate, revise or use "Contents" or any part hereof for business, operation or industry purpose.
- Not sell or distribute, in any way, the embroidery made by the Contents with specific copyright statement under third party (such as "DISNEY") other than original version RICOMA.

RICOMA reserves all the rights not specifically awarded to User.

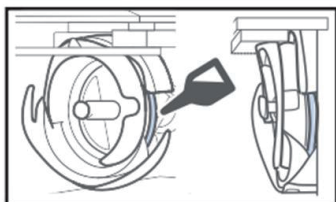
Any content herein shall not constitute RICOMA's waiver of the rights awarded by law, and this agreement shall be governed by the laws of Japan.

Warning label

1. The machine is provided with the following warning labels, please observe precautions specified on the labels.



2. Add one drop of oil daily on rotary hook before use.



Machine structure and functions

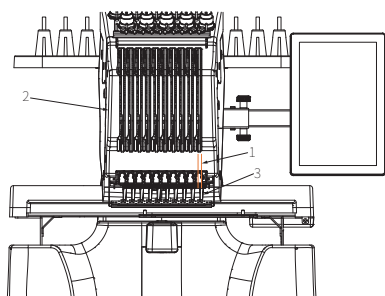
1. Ten-needle embroidery machine

The machine is designed with 10 needles, each specifically for embroidery thread of different color.

By setting color and automatic color change for each needle bar, user may embroider the design of various colors.

The device that enables needle moving upward or downward is called needle bar in needle bar box.

Needle bars are named as follows from right to left: 1# needle bar, 2# needle bar, 3# needle bar, 4# needle bar, 5# needle bar, 6# needle bar, 7# needle bar, 8# needle bar, 9# needle bar, and 10# needle bar.



- 1: 1# needle bar
- 2: Needle bar frame
- 3: 1# needle

Manually designate need bar easily with manual thread color list, and user may designate needle bar according to thread color number by creating Menu on the basis of thread color and needle bar.



Remark:

It is unnecessary to embroider according to the needle bar number sequence.

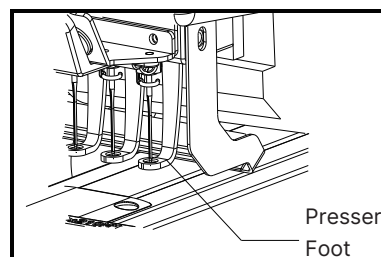
Not all of ten needle bars are for simultaneous embroidery.

User may move only one needle to embroidery position.

Needle bar frame would move laterally according to embroidery sequence, and the needle bar with required color and thread color would move to current embroidery position.

Presser foot would be automatically lowered when machine is operating.

During embroidery, the thread will be automatically cut after one thread color embroidery on cloth is finished, and automatically move to the needle position for embroidery.



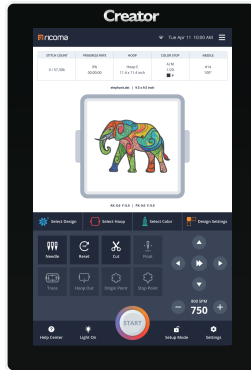
2. Differences from Single-Needle Machines

- Embroidery with 10 or fewer colors without changing thread spools: When using a single-needle machine, you must change the thread spool for each thread color and thread the machine each time a different thread color is used. With this machine, there is no need to change thread spools or rethread the machine for embroidery patterns containing 10 or fewer colors. If the total number of thread colors is less than 10 and the thread change sequence exceeds 11 times, the machine will return to the previously used needle and automatically re-embroider the same color.
- Automatic embroidery reduces embroidery time: Unless the current pattern has 11 or more thread colors, the machine will operate automatically once started. In addition to changing thread colors, it can lower the presser foot and perform specified embroidery operations at the start and end positions. Since the machine can change threads and organize stitches, embroidery time is reduced.
- Automatically pulls thread ends to the underside of the fabric at the start and end of stitching: The machine pulls the upper thread to the underside of the fabric when starting a new color and pulls the upper thread end from the fabric when trimming the thread, eliminating the need for you to handle the upper thread ends.
- Automatically moves the embroidery frame to the embroidery position: When using a single-needle machine, the embroidery pattern is usually placed in the center of the frame, and the fabric must be correctly positioned in the embroidery frame so that the center of the desired embroidery location aligns with the center of the frame. However, with the 10-needle embroidery machine, you can move the embroidery frame to set the embroidery position, making it easier to embroider patterns anywhere within the frame.

3. Other functions

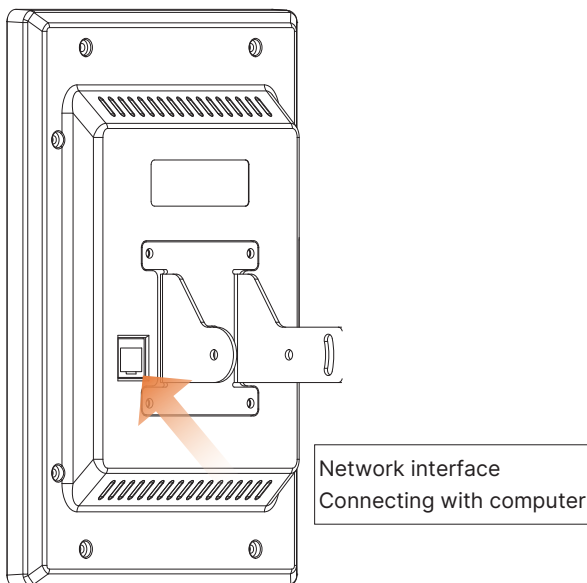
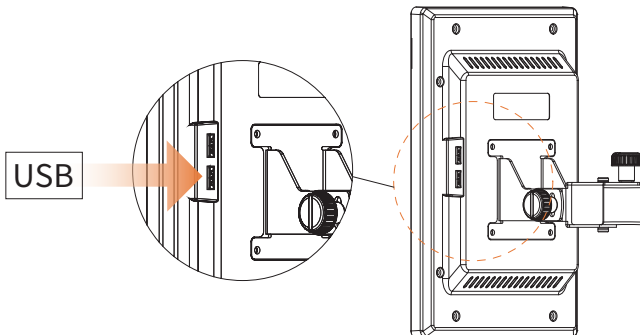
LCD that can be easily read and used

The machine, which is equipped with ultra-size colored LCD, enables preview of embroidery color. Besides, user may easily operate the machine by touching buttons on the touch panel.



USB port as standard configuration

User may transmit embroidery designs from computer to embroidery machines by connecting the Ethernet network cable.



If the distance between machine and computer is longer than network cable, user may temporarily save embroidery designs in computer in USB media and then transfer them to the embroidery machine.

Move needle bar at any time or thread the selected needle bar

When the design is selected, edited or embroidered, user may randomly thread any needle bar or move needle bar to current embroidery position.

Safety device

The machine is equipped with a locking mode to prevent personal injury caused by accidental operation. The machine can only be started after entering the embroidery mode. The locked status of the machine can be identified by checking the mode displayed in the bottom area of the screen.



Functions available

Maximum embroidery area: 200 mm x 360 mm (7.87 x 14.17 inch).

If the cap frame is selected, user may embroider design on caps.

Multiple accessories are available.

The machine is accompanied with 4 embroidery frames and one cap drive system.

Multiple built-in designs

The machine comes with 5 pre-installed fonts.

Manual Structure

This manual is organized as described below. Before using this machine, please review the steps outlined under the numbered headings in the heading list on page 1 of Chapter 2. It shows the sequence of these basic operations. Please read before use.

Chapter 1: Preparation

This chapter describes the setup of the embroidery machine and the various preparations required before starting to embroider.

Chapter 2: Embroidery Tutorial

This chapter introduces the basic embroidery operations in order - from turning on the machine and embroidery operations to completing the embroidery. Please follow the tutorial steps to embroider patterns and master the operation of this embroidery machine.

Chapter 3: Other Basic Procedures

This chapter describes instructions beyond the operations covered in Chapter 2, such as embroidering with 11 or more colors, and other necessary operations, like changing the needle. Please read when additional information is needed.

Chapter 4: Embroidery Settings

This chapter describes various embroidery settings that can make editing patterns easier.

Chapter 5: Selecting/Editing/Saving Patterns

This chapter provides detailed information on selecting, editing, and saving embroidery patterns.

Chapter 6: Basic Settings and Help Functions

This chapter provides explanations related to using the Settings key and machine operation keys. This chapter offers detailed information on changing basic embroidery machine settings and viewing operations on the LCD.

Chapter 7: Appendix

This chapter provides detailed information on tips for various embroidery operations, points for creating beautiful embroidery, as well as measures to take when malfunctions occur, maintenance procedures, and remedial methods.

Searching for Information

To search the manual:

By title: Search the manual by title to check the contents of each chapter on the left and cross-check the table of contents.

By keyword: To find specific information, search the index at the end of the manual by keyword and refer to the indicated page numbers.

Searching on the Machine: For detailed information, please refer to the designated pages. This machine is also equipped with a built-in Help function; simply touch the navigation keys to confirm details or learn specific operating procedures.

Contents

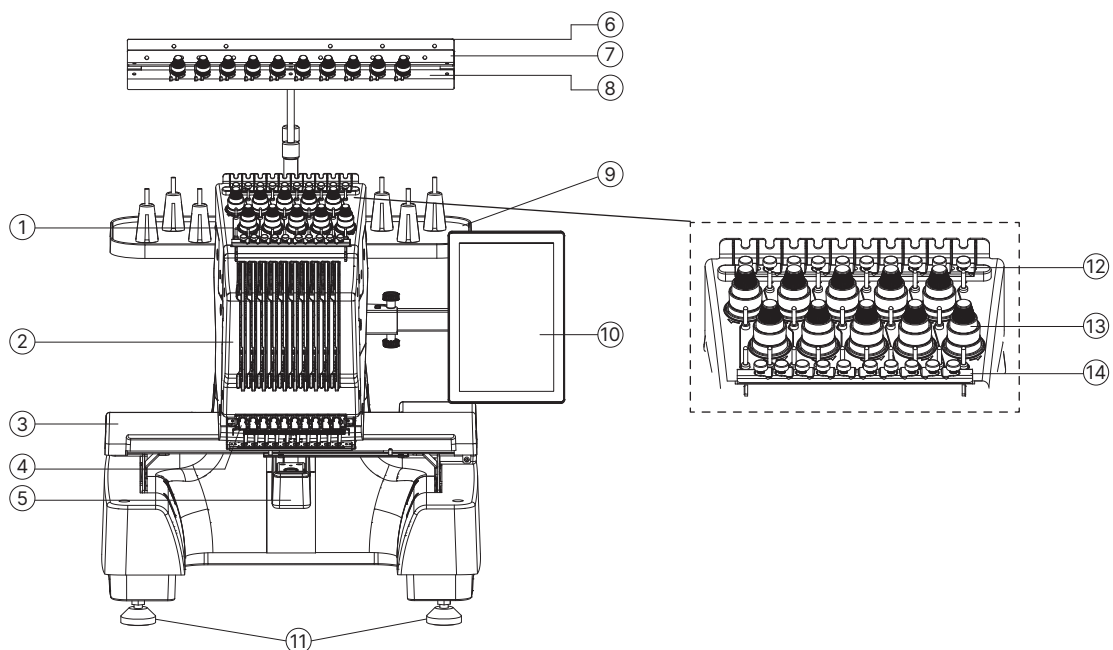
Trademarks	2
Introduction	3
Safety Instructions	3
DANGER - To reduce the risk of electric shock	3
WARNING - To reduce the risk of burns, fire, electric shock, or personal injury	3
1. Always unplug the machine from the electrical outlet when lubricating or performing other user maintenance adjustments mentioned in this instruction manual.	3
2. Do not continue using the machine if the power cord or plug is damaged, if the machine is not working properly, if it has been dropped or damaged, or if water has been spilled on the machine. Take the machine to the nearest authorized dealer or service center for professional inspection, repair, or electrical or mechanical adjustment.	3
3. Always keep the work area clean.	3
4. Special care is required when embroidering.	4
5. Do not use this machine as a toy.	4
6. Precautions for extending product life.	4
7. Precautions for repairs or adjustments.	4
License Agreement	5
Warning Labels	6
Machine Structure and Functions	7
1. 10-Needle Embroidery Machine	7
2. Differences from Single-Needle Machines	7
3. Other Functions	8
Easy-to-Read and Use LCD	8
USB Port Included as Standard Accessory	8
Ability to Move Needle Bar or Thread Selected Needle Bar at Any Time	8
Safety Device	8
Available Functions	8
Various Built-in Patterns	8

Manual Structure	9
Chapter 1: Preparation	9
Chapter 2: Embroidery Tutorial	9
Chapter 3: Other Basic Procedures	9
Chapter 4: Embroidery Settings	9
Chapter 5: Selecting/Editing/Saving Patterns	9
Chapter 6: Basic Settings and Help Functions	9
Chapter 7: Appendix	9
Searching for Information	9
Machine Part Names and Functions	12
Main View	12
Right View/Rear View	13
Operation Panel	13
Accessories	14
Installing the Machine	15
Installation and Transportation Precautions	15
Installation Location	15
Installing the Machine	17
Operating Precautions	20
Power Supply Precautions	20
Needle Precautions	21
Basic Steps	21
Installing the Bobbin	21
Removing the Bobbin Case	21
Installing the Bobbin	22
Installing the Bobbin Case	23
Turning On the Machine	23

Machine part name and corresponding functions

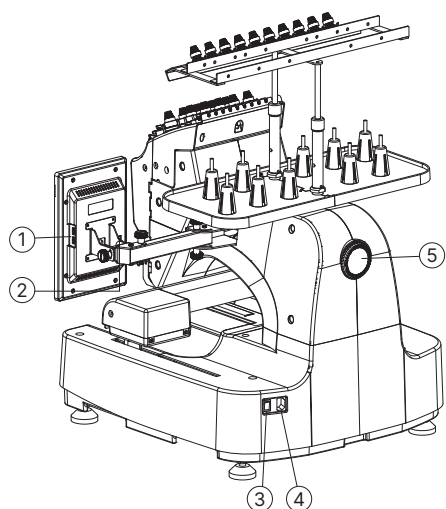
The names and functions of the various parts of the embroidery machine are described below. Please read these instructions carefully to learn the names of the embroidery machine parts before using the embroidery machine.

Front view



No.	Name	Functional description
1	Threading mechanism	
2	Needle bar frame	Needle bar frame moves horizontally and move needle to embroidery position
3	Guide rail	Install embroidery frame onto guide rail and when machine is powered on or starts embroidery, guide rail would move forward, backward, in the left or right.
4	Lower threading mechanism	
5	Hook case cover	Open hook case cover and insert bobbin case into hook.
6	Thread guide trough A	
7	Thread guide trough B	
8	Thread guide trough C	
9	Thread base	Accommodate 10 thread cones
10	Operation panel	
11	Foot cup	User may regulate machine height and stability by adjusting the screw on anchor
12	Upper thread pressing piece	
13	Tension knob	Regulate the tension of top thread
14	Lower thread pressing piece	

Right / rear view



No.	Name	Functional description
1	USB port	Able to input or output embroidery design vis USB by directly inserting USB media into USB port
2	Network port	Support embroidery design transmission after multiple units are connected with computer
3	Power switch	Able to turn off/on the machine by controlling main power source
4	Power socket	Insert power plug into power socket
5	Hand Wheel	The needle may move upward and downward after the knob is rotated. Please rotate hand wheel in clockwise.








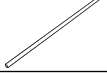







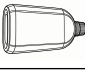

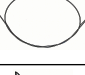
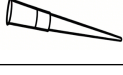
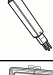
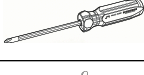





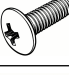

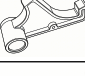



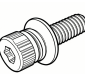




Operation panel



No.	Name	Functional description
1	Reset	Shaft would turn to 100° position
2	Cut	Press the cut button to cut the head thread and bobbin thread.
3	Start/stop	Controlling the start and stop of the machine
4	LCD touch screen	Touching the buttons that appear on the touch panel allows you to select and edit designs and confirm various information.

Accessories

The following accessories are provided. Please only use the accessories specifically designed for the machine. After unpacking, please find the following accessories. If anything is missing or damaged, please contact your RiCOMA dealer.

	Name		Name
	Bobbin case		Presser foot spring - P
	Bobbin		Needle clamp screw - Hexagon socket
	Cleaning brush		Binding head cross screw M4 x 8
	Thread trimmer		Needle bar - 217 - Hollow alloy steel
	Screwdriver - Colorful handle slotted - NLC-5x100		Thread pin
	Screwdriver - Z-shaped		Thread spool positioning sleeve - Thread pin
	6-piece set of 7-shaped hexagon wrenches		Thread spool felt - Wool felt
	Needle-nose pliers - 5"/125 MM		Thread guide tube assembly - Spiral - Transparent - EM
	Oil bottle - 40G - Filled with oil		Custom open-end wrench
	Threading wire - \varnothing 1.4mm X 400mm		Large yellow TT needle
	Threader and needle threader - TW-GY		Screwdriver - Colorful handle cross - NLC-6x100
	Accessory box - D-type - Double layer 8 grid		Presser foot + presser foot sleeve - EM
	Thin open-end wrench 17-19		Countersunk flat head cross screw M4x8 - Stainless steel
	Thin open-end wrench 22-24		Binding head cross screw M4x12
	Sewing machine needle - DBXK5-11		Latch hook - DS-EM
	Vibration damping pad		Take-up lever with white ceramic sleeve - Integrated - Self-locking
	Needle clamp		Combination hexagon socket button head screw - M4x12+ Spring washer+Flat washer
	Needle bar spring - P		Buffer pad - Needle bar
	Positioning block torsion spring		Countersunk flat head cross screw M4X6 - Stainless steel

Machine installation

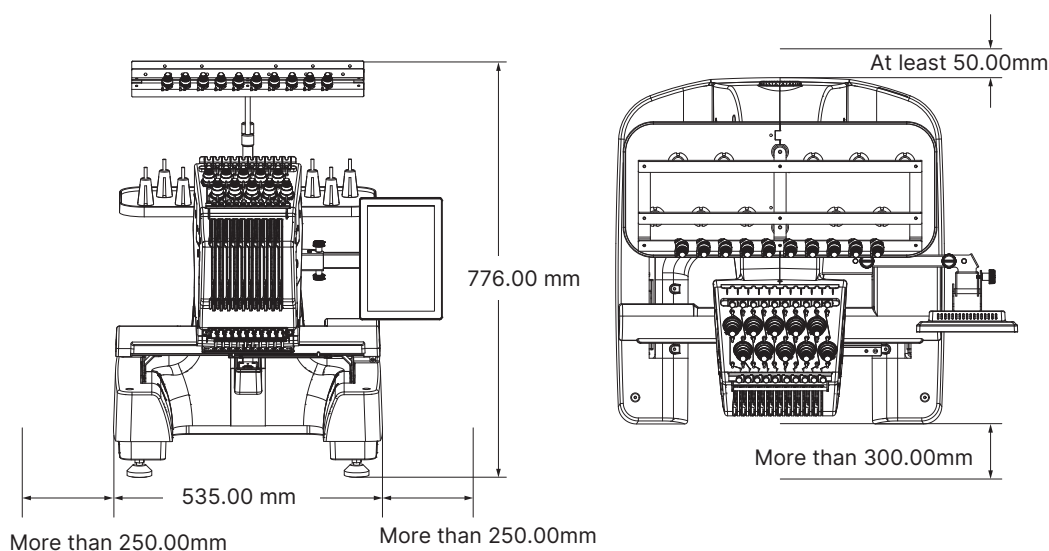
Machine installation procedures are described below. If the machine is not correctly installed, shaking or noise could occur and design patterns cannot be correctly embroidered. There is also an optional sewing stand.

Precautions for installation and transportation

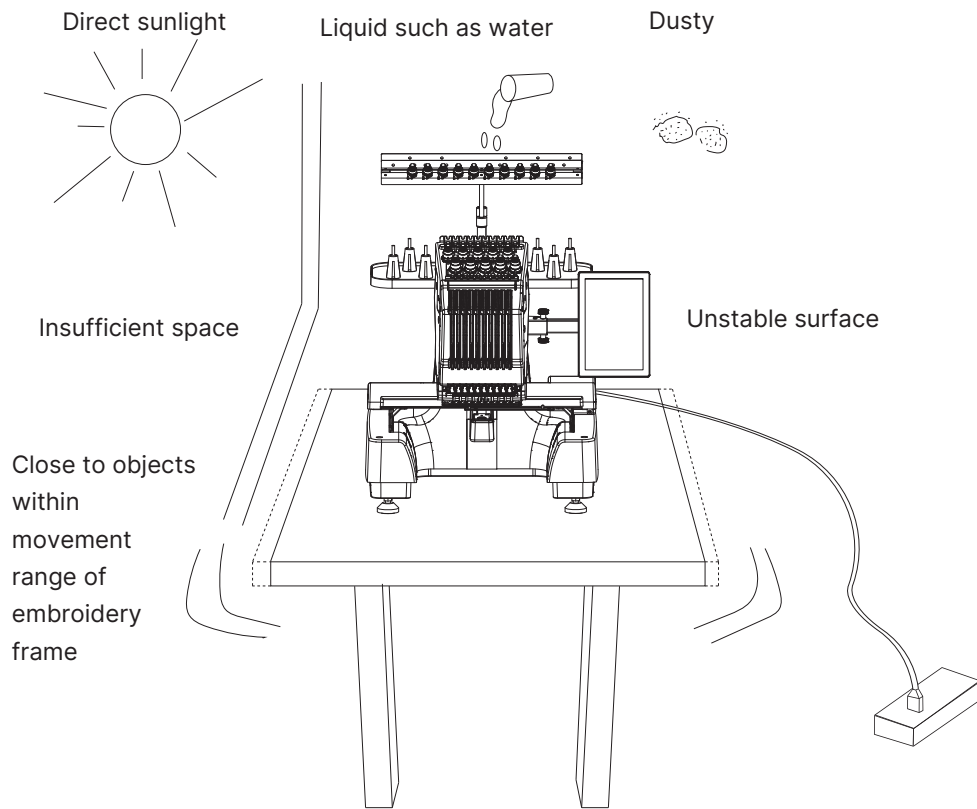
- Operating environment temperature shall be 5°C (40°F) to 40°C (104°F), and machine operating in extremely cold or hot environment would cause issues.
- To prevent machine malfunction, do not operate machine under direct sunlight.
- Install machine in a balanced and level state by keeping four regulating anchors completely on working table or platform.
- To prevent fire caused by overheating or any damage caused to the machine, do not place any object beneath the machine to block ventilation opening of the machine.
- The machine weighs about 45kg, and the transportation or installation of the embroidery machine shall be performed by two people.
- Ensure two people raise the machine from the groove (1) in the bottom of machine, to prevent personal injury. Potential machine damage could be caused by raising the machine from other positions.
- To prevent machine malfunction, please shut down the machine and unplug power lines in case of lightning.
- Before installation, do not insert power lines, or potential personal injury could be caused by accidentally pressing on the Start/Stop button.
- To prevent lubricating oil or grease from falling into eyes or spraying onto the skin, please wear protective glasses and gloves while adding lubricating oil. Do not swallow lubricating oil or grease, and keep children away from lubricating oil or grease.
- Be careful of body parts when installing or removing the embroidery frame or other accessories or during machine maintenance.

Please install machine at a place compliant with the following requirements:

- Machine shall be positioned at least 50mm (2 inches) away from wall.
- Sufficient space shall be reserved around the machine.
- Do not place any object within the movement range of embroidery frame.
- Install the machine near a power outlet.
- Flat and stable table such as the desk or types of support shall be used.
- Select a table that can support the machine weight, which is about 45kg.
- Sufficient space shall be reserved around ventilation hole behind and below the machine.



To prevent malfunction or damage, do not install the machine under the following conditions.



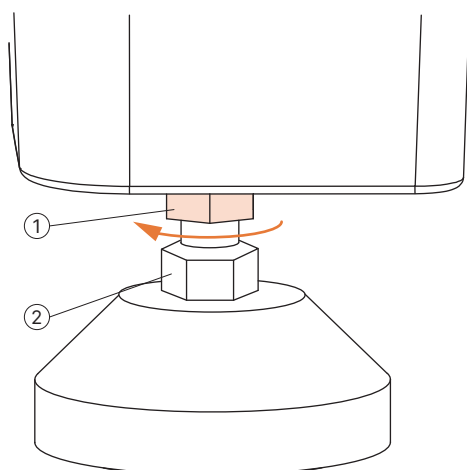
Notes:

For safety purpose: the machine weighs about 45kg, do not install the machine on an unstable working table or platform.

Machine installation

During installation, keep the machine stable by adjusting four anchors.

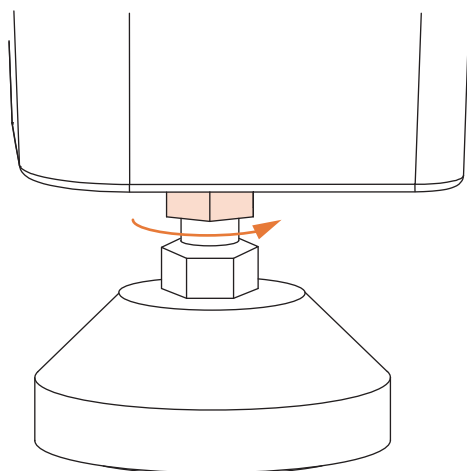
1. Ensure all protection films on the machine and all packing materials have been removed.
2. Leave sufficient space for machine installation.
3. Keep machine stable by adjusting the four anchors. Adjust the screw on the anchor with a wrench.



1. Lock nut
2. Adjusting nut

Note: Extend or shorten anchor with adjusting nut. User may extend or shorten anchor by respectively rotating adjusting screw left or right.

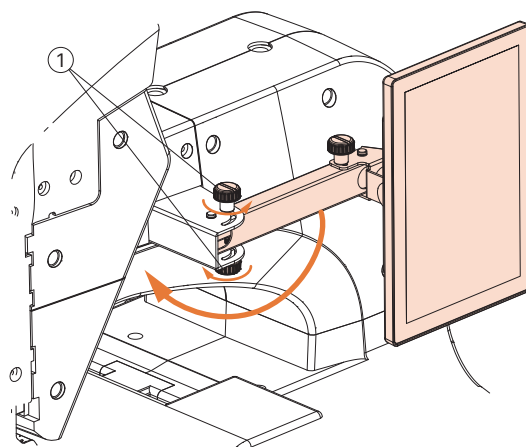
4. After adjusting anchor to required length, tighten the locking nut with spanner.



Press corners of embroidery machine to ensure it has been steadily positioned.

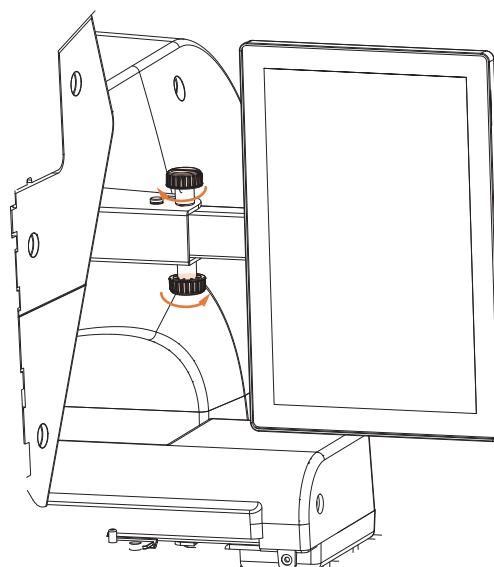
Adjustment of the position of operation panel

To facilitate operation, adjust the direction and angle of operation panel.



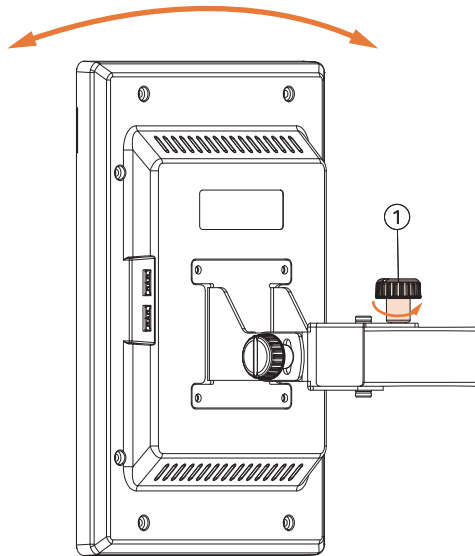
1. Manual screw

Loosen 2 manual screws in the rear of control panel, adjust to an angle for easy check, and then tighten manual screw.



Adjust the direction of control panel

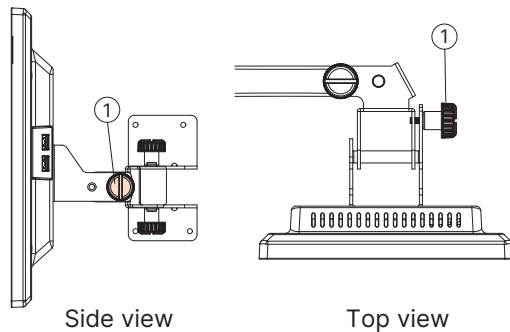
Loosen manual screw, adjust control panel to a position for easy operation, and tighten manual screw.



1. Manual screw

Adjust the angle of operation panel

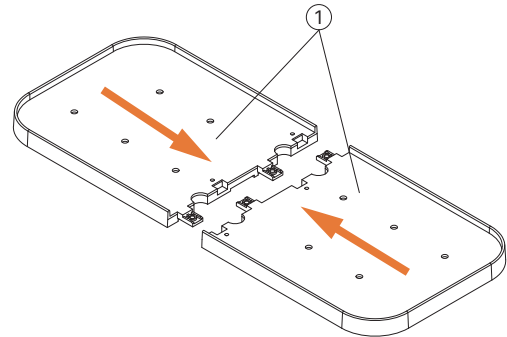
Loosen 2 manual screws in the rear of control panel, adjust to an angle for easy check, and then tighten manual screw.



1. Manual screw

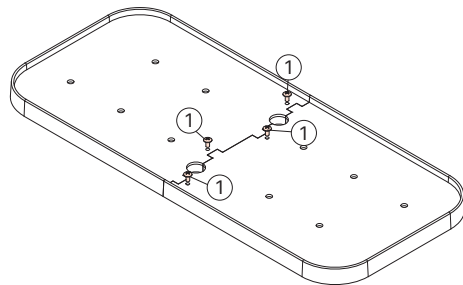
Assemble thread rack & base

a) Take two thread bases and combine them in place according to the arrow shown below.



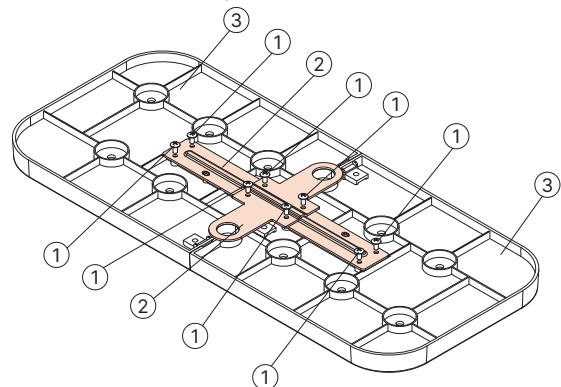
1. Thread base

b) Tighten thread bases with four M4x8 screws



1. M4x8 screw

c) Select thread base reinforcing plate #2, connect the plate with thread base with 8 M4x8 screws and tighten screws.

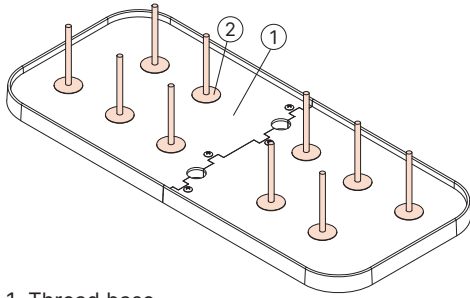


1. M4x8 screw

2. Thread base reinforcing plate

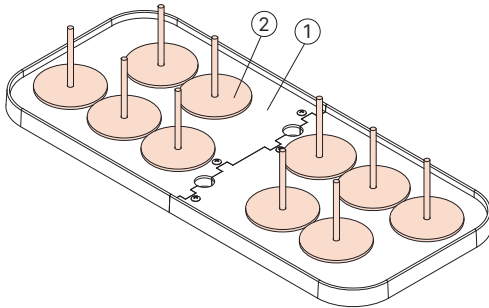
3. Thread base

d) Select 10 bobbin columns 2 and install them on the following positions.



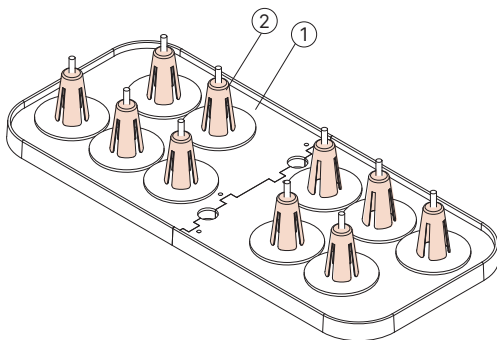
1. Thread base
2. Cone nail

e) Take 10 cone mats #2 and put them on thread nails.



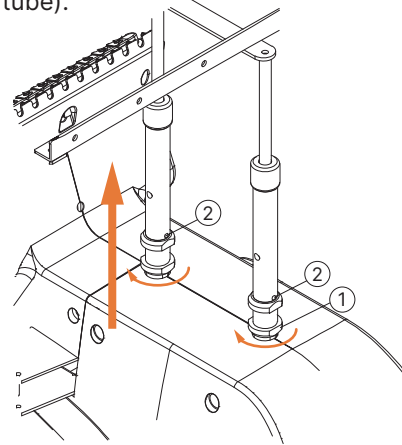
1. Thread base
2. Cone mat

f) Take 10 cone sleeves 2 and put them on thread nails, then push them to the bottom.



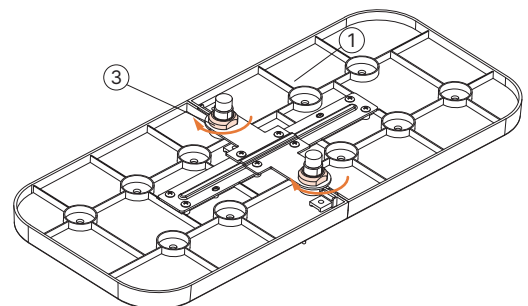
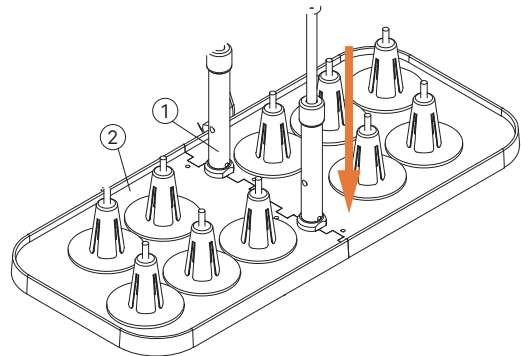
1. Thread base
2. Cone sleeve

g) Loosen two screws 2 on thread rack guide tube with Allen wrench, pull out thread rack guide tube upward to separate it from machine, and unscrew locking nut 1 from guide tube (unscrew two locking nuts from guide tube).



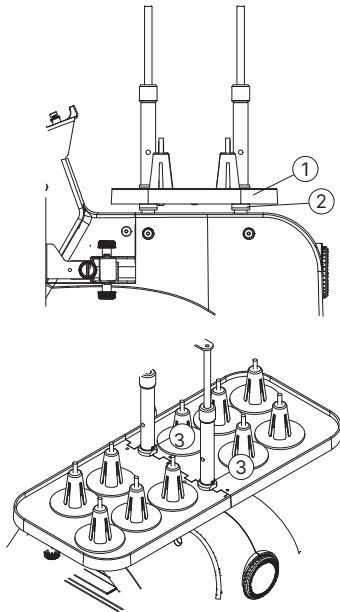
1. Locking nut on guide tube
2. Screw on guide tube

h) Install thread rack module on thread base, and lock it with guide tube nut 3.



1. Thread rack module and guide tube
2. Thread base
3. Nut on guide tube

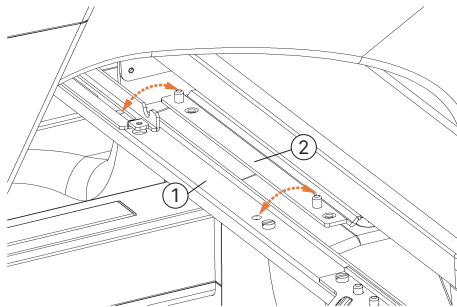
i) Install assembled thread rack and thread base module on two positioning dowels on the machine, and tighten nut with hex wrench.



1. Thread base
2. Positioning dowel
3. Screw

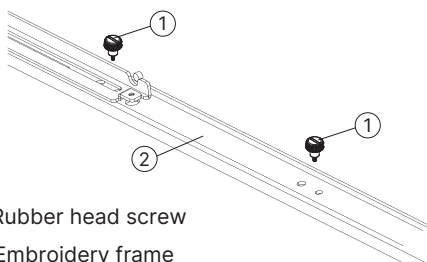
Install embroidery frame stand.

Align the hole of embroidery frame stand with the dowel on connecting plate.



1. Embroidery frame stand
2. Embroidery frame connecting plate

Take two rubber head screws to fasten the embroidery frame connection plate to the embroidery frame.



1. Rubber head screw
2. Embroidery frame

Preparation before embroidery is finished.

Operation Precautions

Precautions for power supply

Please observe the following precautions for power supply.

Notes:

1. AC 220V and 110V for the machine, and other power sources may give rise to fire, electric shock or machine damage.
2. Be sure power plugs are securely inserted into embroidery machine's power socket.
3. Do not insert power plug into poor power socket.
4. In case of the following circumstances, shut down embroidery machine and pull out power lines, or otherwise it may cause fire, electric shock or machine damage.

- When machine is left unattended;
- After use of machine;
- Power failure occurs during machine operation;
- Machine is not correctly operated, such as thread loosening or poor.
- During thunderstorms.

Notes:

1. Only the accompanied power cords are permitted for the machine.
2. To prevent fire or electric shock, do not insert lengthening wires or multiple-plug adaptor that have been used by other electric equipment into the machine.
3. To prevent electric shock, do not insert or pull out power wires with wet hands.
4. Before pulling out power wires, shut down machine firstly, grab plug, and since pulling wires may cause damage or fire or electric shocking.
5. Do not cut, damage, reform, bend, pull, twist or bind power wires. In addition, do not place heavy object on wires or make it heat, or otherwise it may cause wire damage, fire or electric shocking. If power wires or plugs are damaged, stop using machine and deliver the machine to authorized dealer for repair.
6. To prevent fire, please pull out power wires if machine is not in use for a long time.
7. When embroidery machine is left unattended, shut down main power switch, or pull put plug from socket.
8. To repair embroidery machine or disassemble the case, cut off power supply by pulling out power plug.

Precautions for needle

Curved needle would be hazardous, since the needle would break during machine operation. Place the flat side of needle onto a plane to check if distance between needle and plane is even and in case of any bending or needle point breakage, please replace with a new one.

Precautions for cop latch

Please observe the following precautions for cop latch.

1. Use the bobbin that has been correctly wound, or otherwise the needle may be broken or the thread tension may be incorrect.
2. To wind the core, only bobbin winder shall be used.
3. When winding the bobbin, be sure to use cotton or fiber polyester bobbin thread.



Basic steps

Basic embroidery steps are described below. Before embroidery machine operation, please confirm the following steps.

1. Bobbin installation
2. Turning on
3. Select embroidery design
4. Assign embroidery settings
5. Check preview design
6. Put cloth in embroidery frame
7. Check embroidery area
8. Threading top thread
9. Enter embroidery status, then press the Start/Stop button to begin embroidering (the machine will stop automatically once embroidery is finished).
10. Check thread tension
11. Remove the embroidery frame, then remove the cloth from the frame.
12. Turning off the machine

Bobbin installation

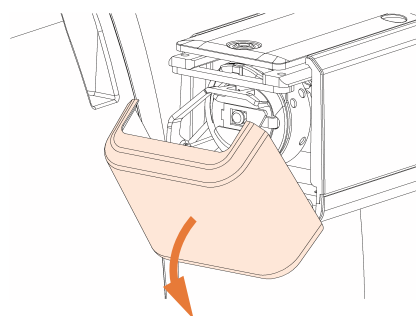
Bobbin case is installed on the hook while the machine is purchased. Please insert the bobbin for embroidery.

Notes:

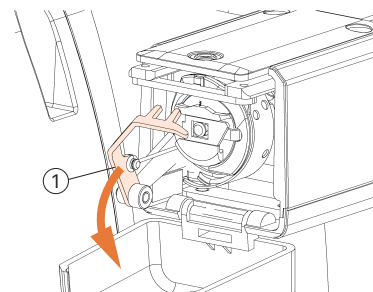
- The machine would not indicate remaining quantity of bobbin thread. Before starting embroidery, please be sure sufficient bobbin thread for embroidery design.
- Clean bobbin case while replacing the bobbin.

Removal of bobbin case

- a). Open the hook cover, and pull it toward.



- b). If thread hook is not forward, pull it forward

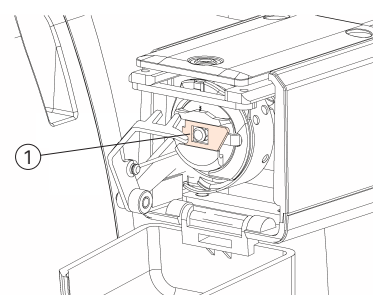


1. Thread hook

To facilitate the use of bobbin, pull thread hook forward.

Note: Do not drag thread hook by force since it may only be rotated to a certain extent.

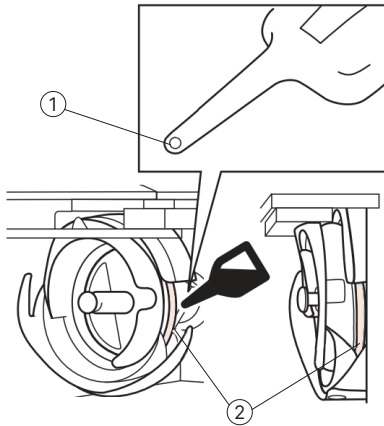
- c). Grab bobbin case bolt, and take out bobbin case.



1. Bobbin case bolt

d). Add oil for machine

After removal of bobbin case, add oil for machine and then add oil to rotary hook.



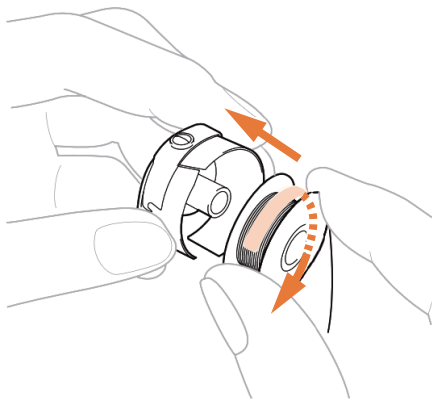
1. Open a small hole on oil pot.
2. Add oil here.

e). After adding oil, insert the bobbin case into the rotary hook, and then close the hook cover.

Notes: Before use, add one drop of oil on rotary hook every day.

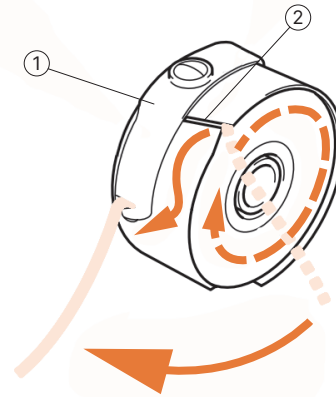
Bobbin installation

a). Put bobbin into bobbin case



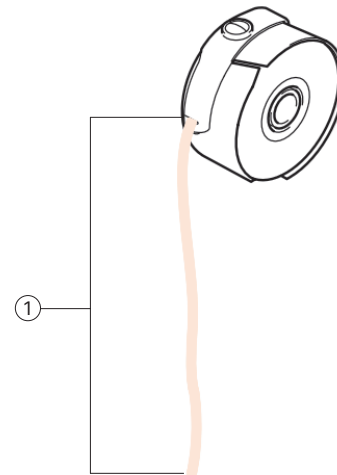
Notes:
Be sure to wind bobbin in clockwise and if not, the machine would not embroider correctly.

b). Lead thread through thread trough and tension regulating clip.



1. Thread trough
2. Tension regulating clip

c). Take thread out from opening of tension adjusting clip about 50mm (2 in.)

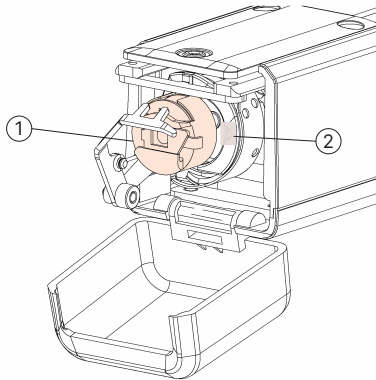


1. About 50mm (2 in.)

Bobbin Case Installation

a). Insert bobbin case in rotary hook

Align the protruding part of bobbin case with the grooving of rotary hook, and insert into rotary hook, as shown below.

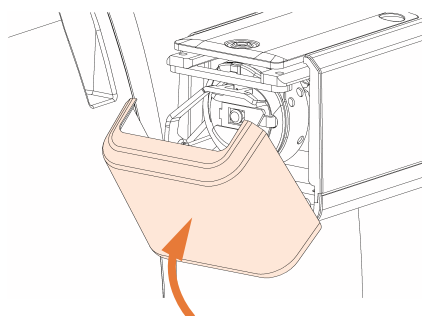


1. Bobbin case
2. Rotary hook

b). Completely insert bobbin case until clamped in place.



c). Close hook cover.



Power On

Connect the power cord, and then turn on the embroidery machine.