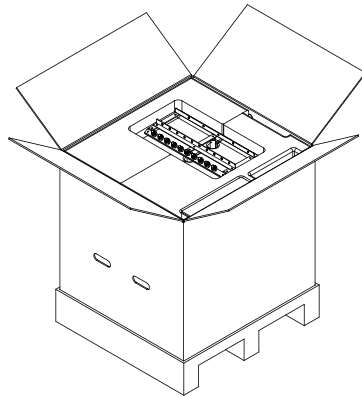


EM-1010  
Home Embroidery Machine

**Unpacking Instructions**

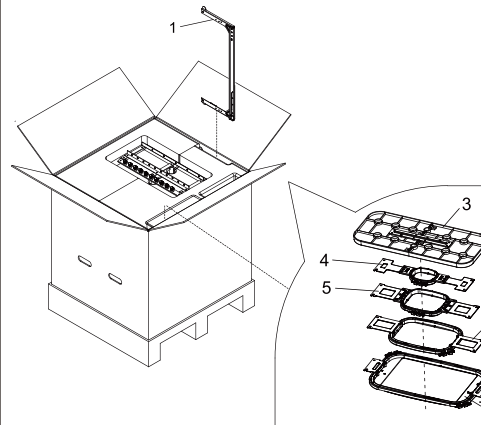
We Recommend Keeping all  
Packaging Materials.

①



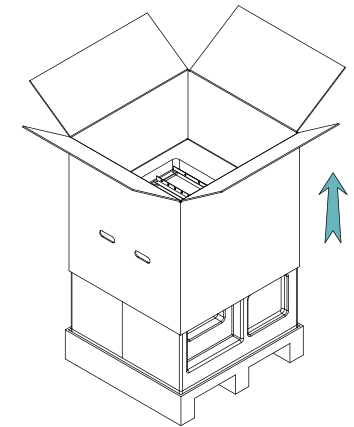
1. Cut the seal tape on the cardboard box.
2. Open the cardboard box.

②



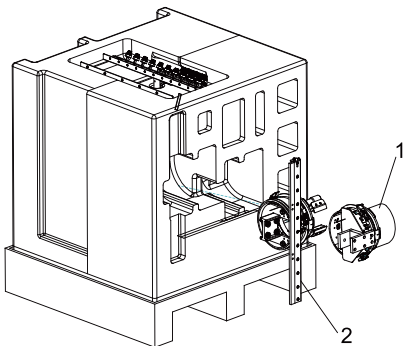
1. Remove the thread plate.
2. Take out the frame bracket (No. 1).
3. Accessories included in the plastic bag.
  - a. 70 \* 50 mm frame (No. 4): 1 set.
  - b. 110 \* 110 mm frame (No. 5): 1 set.
  - c. 190 \* 140 mm frame (No. 6): 1 set.
  - d. 310 \* 210 mm frame (No. 7): 1 set.

③



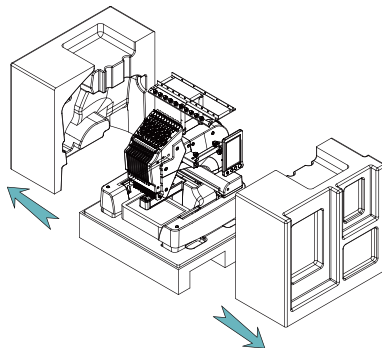
1. Pull up on the cardboard box by using the plastic cutouts located on the side of the box.

④



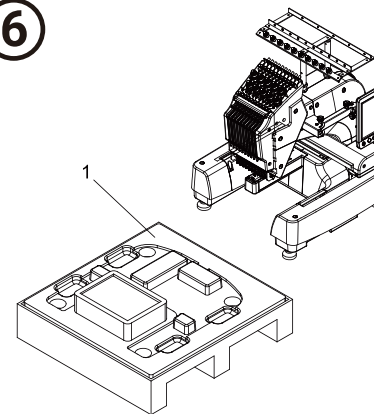
1. Remove the hoop station (No. 1) from outside of the styrofoam.
2. Remove the cap driver (No. 2).

⑤



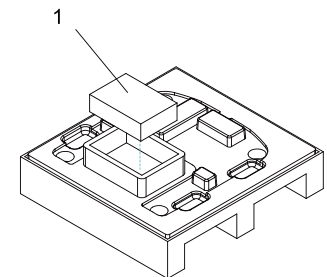
1. Pull the Styrofoam apart from both sides.

⑥



1. Open the plastic bag
2. Remove the machine from the plastic by lifting from the bottom of the machine. We recommended two people perform this operation.

⑦



1. Remove the tool kit.